

# Power Dome<sup>®</sup> LT



User's Manual



# Power Dome® LT by Wagan Tech®

---

Thank you for purchasing the Power Dome® LT by Wagan Tech®. With normal care and proper treatment it will provide years of reliable service.

## IMPORTANT INFORMATION

- Please read and understand all warnings, cautions, and notes included in this manual before using the Power Dome® LT. Follow instructions provided by your vehicle manufacturer and other devices intended to be used with this unit. Keep these instructions for future reference.
- Make sure the Power Dome is fully charged before first use. We recommend 48 hours for initial charge.

## GENERAL WARNINGS



**HIGH VOLTAGE: The inverter output can be lethal. Improper use may result in property damage, personal injury, or loss of life.**

- This appliance is NOT intended for use by persons with reduced physical, sensory, or mental capabilities.
- Children or persons lacking in experience and knowledge also should NOT operate this appliance unless he/she has been given supervision or instruction concerning the proper usage and warnings of the appliance by a person responsible for their safety.
- For proper and safe operation of any accessory outlet, do not place anything in it except the plug of the accessory to be used.
- Use only the chargers, cables, and clamps provided. Unauthorized parts may damage the unit.
- Do not attempt to remove or replace the battery used in this device. When the battery has reached the end of its lifetime, please take the entire unit to a battery recycling facility.

## PROPER DISPOSAL

- Appliance, accessories, and packaging should be recycled in an environmentally friendly manner. Plastic parts are coded for purposes of separation when recycling.
- Accumulators and battery-powered electrical appliances contain materials which are harmful to the environment. Do not dispose of batteries and/or electric/electronic appliances in normal household refuse.



[www.wagan.com](http://www.wagan.com)

# User's Manual—Read before using this equipment

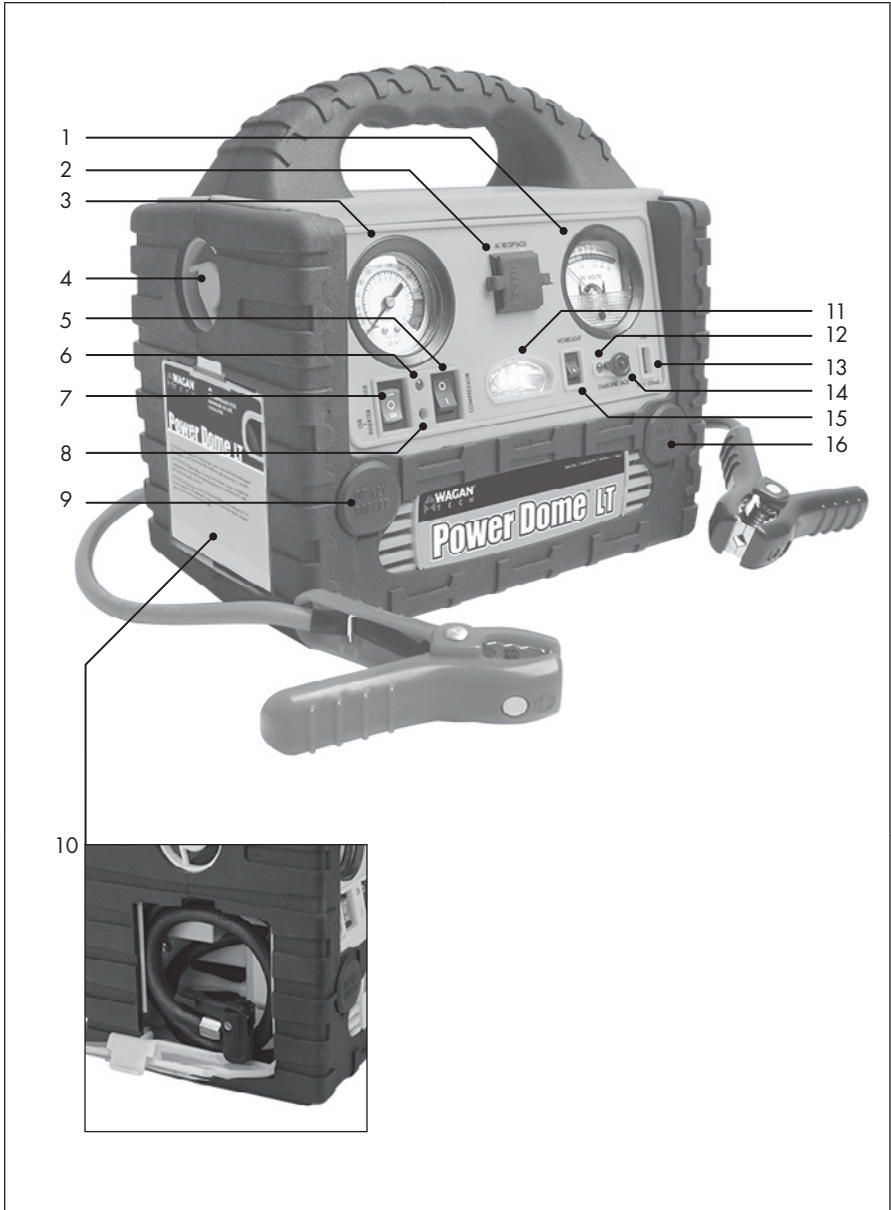
## FEATURES

- Powerful jumpstarter with heavy-duty cables and clamps.
- Jumpstart cable power switch safety protection.
- Voltmeter for checking battery status.
- High pressure air flow compressor for inflating tires and sports equipment with easy-read analog pressure gauge.
- Built-in power inverter providing one 115-volt AC outlet.
- Additional DC accessory outlets for powering DC appliances.
- One USB power port for charging cell phones, digital cameras, and MP3 players.
- Bright, long-lasting LED area light.
- AC/DC recharging adapter & DC recharging cable (fused) included.

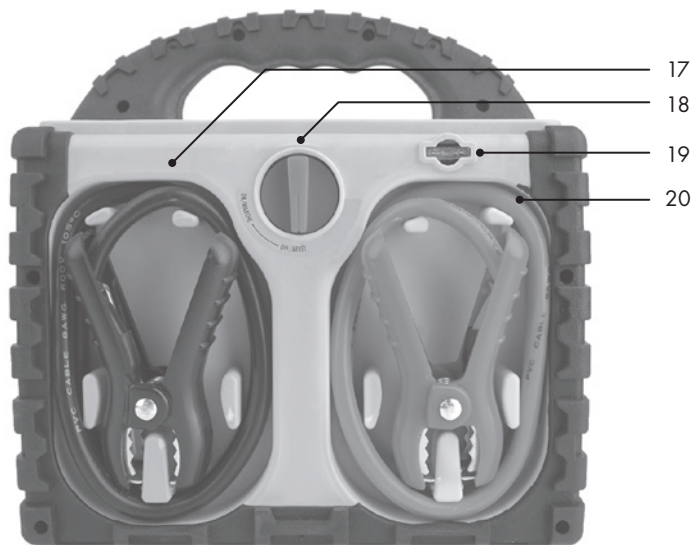
## SPECIFICATIONS

Battery	AGM Sealed lead acid, 12 volt, 12Ah
Peak Amps	300A
Jumper Cables	6 AWG, 24 inches long
Air Compressor	260 PSI, analog gauge
Inverter Continuous Output Power	200 watts (modified sine wave)
Inverter Peak Power	400 watts peak surge for a max of 0.3 seconds
Inverter Low Voltage Alarm	10.5V $\pm$ 0.5V
Low Voltage Shut-off	10.0V $\pm$ 0.5V
Fuse	25 Amps
AC Outlet	115 volts
DC Sockets	12 volt, 10 Amps max
USB Power Port	5V, 500 mA
Work Light	3x LEDs
Charging Time (AC)	48 hours
Charging Time (DC—with engine running)	12 hours

FRONT VIEW



## REAR VIEW



- |                             |                             |
|-----------------------------|-----------------------------|
| 1. Voltmeter                | 11. LED Worklight           |
| 2. AC Outlet                | 12. Charging Indicator      |
| 3. Pressure Gauge           | 13. USB Power Port          |
| 4. Ventilation Hole         | 14. Charging Jack           |
| 5. Air Compressor Switch    | 15. Worklight Switch        |
| 6. Master Switch Indicator  | 16. DC Socket               |
| 7. Inverter/USB Switch      | 17. Jumper Cable (negative) |
| 8. Inverter Power Indicator | 18. Master Switch           |
| 9. DC Socket                | 19. Fuse                    |
| 10. Air Compressor Hose     | 20. Jumper Cable (positive) |

## BATTERY STATUS

The voltmeter provides the current state of charge on the internal battery. It is the user's responsibility to periodically monitor the battery's status and recharge at least every 3 to 6 months in addition to recharging after each use.

1. Disconnect any input or output power cords and turn off all switches.
2. Turn the Master Switch on.
3. Read the voltmeter to determine battery status.
  - > 12.5V: Battery is fully charged
  - ~ 12V: Battery should be charged before jumpstarting a vehicle
  - < 12V: Battery is discharged, charge immediately

## CHARGING THE POWER DOME

**Charge your Power Dome for a full 48 hours before initial use.** The Power Dome can be charged continuously via AC adapter without damaging the internal battery. In order to prolong the life of the Power Dome (as with all lead-acid batteries), be sure to fully recharge the unit every 3 to 6 months even if the Power Dome has not been used.

### AC Charging

Make sure the supplied AC/DC charging adapter is to be powered by the correct voltage (110V AC or 220V AC depending on your country/region). Only use the AC charging adapter supplied with this unit.

1. Make sure all Power Dome switches are off (including the Master Switch).
2. Open the dust cover on the charging jack.
3. Plug the DC end of the AC/DC charging adapter into the Power Dome's charging jack.
4. Connect the AC end of the AC/DC charging adapter to the wall outlet.
5. The charging indicator will light up during the charging process.
6. After charging the battery, disconnect the adapter from the AC outlet first, then from the charging jack.
7. Replace the dust cover on the charging jack.

### DC Charging in Your Vehicle or Boat

Only use the DC charging adapter supplied with this unit. Note that the engine must be running while charging the Power Dome and do NOT exceed 12 hours of charging time.

1. Make sure all Power Dome switches are off (including the Master Switch).
2. Open the dust cover on the charging jack.
3. Plug the small end of the DC power cord into the Power Dome's charging jack.
4. Plug the large end of the DC power cord into an accessory (cigarette lighter) socket.
5. The charging indicator will light up during the charging process. Do NOT charge for more than 12 hours at one time.



# User's Manual—Read before using this equipment

---

6. After the battery is charged, disconnect the power cord from the accessory socket first, then from the unit's charging jack.
7. Replace the dust cover on the charging jack.

## JUMPSTARTER

### Warnings

- Lead-acid batteries can release explosive gasses. Failure to follow instructions may cause property damage, explosion hazard, and/or personal injury.
- Do not smoke while jumpstarting.
- Jumpstart a vehicle or boat in a well ventilated area.
- Do not attempt to jumpstart a frozen battery.
- This product is not intended for use in the rain or temperatures above 130°F.
- Do not let the jumper cables or other attached appliances get wet.
- Do not wear vinyl clothing when jumpstarting—friction can cause static electricity sparks.
- Remove all metal jewelry to avoid short circuits.
- Always use safety glasses when jumpstarting battery—acid can cause blindness and/or severe burns.
- Never allow red and black clamps to touch—this can cause power arcing and/or explosion.
- Make sure someone is available to give assistance if needed.
- Keep out of reach of children.

### Procedure

**CAUTION:** If the engine fails to start after three attempts, discontinue jumpstart procedure. Excessive engine cranking can damage the vehicle's starter motor. Look for other problems that may need to be corrected or call for professional service.

1. Review the Jumpstarter warnings.
2. Put the vehicle's gear is in "park" position and make sure the brake is set.
3. Turn off all vehicle appliances, lights, radio, etc.
4. Turn off all Power Dome switches and disconnect all accessories.
5. Determine the ground system of your vehicle.
  - If vehicle to be started has the positive battery terminal connected to chassis (this is rare and usually found in older car models from 1950s or earlier):
    - i. Connect the black (-) clamp first to vehicle battery's negative (black) terminal.
    - ii. Connect red (+) clamp to vehicle chassis or a solid, non-moving, metal vehicle component or body part. DO NOT clamp directly to positive battery terminal or a moving part.

- If vehicle to be started has a negative ground system:
  - i. Connect the red (+) cable clamp first to the vehicle's positive (red) battery terminal.
  - ii. Next, connect the black (-) clamp to the vehicle chassis.
- 6. Inside the vehicle, turn on the ignition switch and attempt to start the engine.
- 7. Crank a maximum of 3 seconds. If the engine does not start, wait 3 minutes before the next attempt.
- 8. After the engine starts, turn off the Master Switch.
- 9. Disconnect the black clamp first, and then disconnect the red clamp.
- 8. Be sure that the cables and clamps are securely stored.
- 9. Recharge the Power Dome as soon as convenient.

## AIR COMPRESSOR

This Power Dome is equipped with an air compressor that can provide up to 260 PSI (pounds per square inch) of pressure for a variety of uses such as vehicle tires and sports equipment.

**CAUTION:** Be careful not to over inflate, monitor the compressor gauge while inflating. Never connect or disconnect the nozzle with the compressor operating. To avoid overheating, do not operate the air compressor for more than 10 minutes at a time. After 10 minutes, allow the compressor to cool for 15 minutes before using again.

1. Before any tire inflation, look for the recommended inflation pressure information on the sidewall of the tire.
2. Open the compartment door on the side of the Power Dome and extend the air hose.
3. Position the Power Dome so that you can see the pressure gauge.
4. Make sure the chuck lever is positioned up (away from the chuck opening).
5. Remove the valve cap from the valve stem of the tire.
6. Attach the chuck to the tire's valve stem.
7. Move the chuck lever down to secure the chuck to the valve stem.
8. Turn the Master Switch on.
9. Set the Air Compressor Switch on to the "I" position. The blue indicator will light up.
10. Monitor the pressure gauge while inflating the tire.
11. When recommended tire pressure has been reached, turn off the air compressor.
12. Disconnect the hose and replace valve cap.
13. Return the hose back to its compartment for storage.
14. Turn the Master Switch off. The indicator light will gradually dim until it is off.
15. Recharge the Power Dome as soon as it is convenient.





## POWER INVERTER

The Power Dome® LT can run most AC appliances or a combination of appliances up to 200 watts. Operating time is dependant on the AC load (required wattage) and the current charge/condition of Power Dome's internal battery. Reduced AC loads and/or having a full charge on the internal battery will result in longer operating time.

### Caution

Some rechargeable devices are equipped with a separate AC charger. These devices are likely to operate properly with this inverter. Rechargeable devices that have built-in chargers (see device owner's manual) may not operate properly with this type of inverter.

Some motorized devices may operate at excessively elevated temperature when used with this inverter. During first use with this inverter, check for excessive motor temperature. Abnormally elevated temperature of the device is an indication that they should not be used together.

### Operation

1. Check the required current draw of the appliance/device to be powered and make sure it does not exceed the Power Dome's maximum wattage.
2. Prior to plugging in your device, turn your power tool or appliance off (mobile devices are fine to keep on).
3. Open the AC outlet dust cover.
4. Connect the electrical plug of the device to the AC outlet.
5. Turn the Master Switch on.
6. Set the Inverter/USB Switch to the "||" position.
7. If the Inverter Power Indicator light stays green, the inverter is operating.
8. Turn on your AC device/appliance.
9. After use, remove the appliance plug and close the dust cover.
10. Recharge the Power Dome as soon as it is convenient.

## DC OUTPUT SOCKET

The DC accessory socket can power a DC load up to 10 Amps. Overloading the socket will result in tripping (a self-resetting circuit breaker). Removing the overload automatically restores power to the DC socket.

1. Check the required current draw of the appliance/device to be powered and make sure it does not exceed the Power Dome's maximum wattage.
2. Make sure all Power Dome switches are off (including the Master Switch).
3. Remove the dust cover from the DC socket.
4. Insert the 12V DC accessory plug into the socket.
5. Turn the Master Switch on.
6. Operate the appliance as usual.
7. After use, disconnect the accessory plug from the DC socket and store the accessory.
8. Replace the dust cover.
9. Recharge the Power Dome as soon as convenient.

## USB POWER PORT

1. Prior to connecting your mobile device, make sure that the Master Switch is turned off.
2. Connect the USB cable to the USB power port on the Power Dome.
3. Turn the Master Switch on.
4. Set the Inverter/USB Switch to "I" position. (You may operate the USB and the inverter at the same time by setting the Inverter/USB Switch to the "II" position, or just operate the USB only in the "I" position.)

## WORK LIGHT

1. Turn the Master Switch on.
2. Turn the work light switch on.
3. The 3 LEDs will illuminate.
4. Turn the light off when it is not in use.

# User's Manual—Read before using this equipment

## TROUBLESHOOTING

Problem	Cause	Solution
Air compressor shut-off.	High temperature protection.	Allow the Power Dome cool for about 10 minutes.
Lack of power output.	Power Dome battery voltage is below 10 volts.	Recharge the Power Dome immediately.
	Excessive current drawn by appliance being operated.	Reduce load to maximum wattage.
		<ol style="list-style-type: none"> <li>1. Turn off the device and inverter.</li> <li>2. Disconnect device.</li> <li>3. Turn the inverter on and let it run for a minimum of 2 minutes.</li> <li>4. Turn inverter off.</li> <li>5. Quickly plug device into inverter.</li> <li>6. Turn on both the inverter and the device.</li> </ol>
Inverter fuse blown.	Check and replace if necessary. Be sure replacement fuse is the same type and rating.	
Television/power tool will not start.	Required wattage exceeds Power Dome peak surge for start-up.	Toggle the Inverter/USB Switch on and off in quick succession for 5 times. If the device does not start, the device is not compatible with this type of inverter.
Television Interference.	Picture breaking up (static)	Place the Power Dome as far as possible from the TV, antenna, and coaxial cable.
		TV station may be out of range.
Static/noise interference in audio system.	Sound system has weak alternating current shielding.	Do not use the Power Dome's inverter with low-quality audio AC filtering system.
		Replace audio system with high quality noise filtering.

## WAGAN Corp. Limited Warranty

**The WAGAN Corporation warranty is limited to products sold only in the United States.**

### **Warranty Duration:**

Product is warranted to the original purchaser for a period of one (1) year from the original purchase date, to be free of defects in material and workmanship. WAGAN Corporation disclaims any liability for consequential damages. In no event will WAGAN Corporation be responsible for any amount of damages beyond the amount paid for the product at retail.

### **Warranty Performance:**

During the warranty period, a product with a defect will be replaced with a comparable model when the product is returned to WAGAN Corporation with an original store receipt. WAGAN Corporation will, at its discretion, replace or repair the defective part. The replacement product will be warranted for the balance of the original warranty period. This warranty does not extend to any units which have been used in violation of written instructions furnished.

### **Warranty Disclaimers:**

This warranty is in lieu of all warranties expressed or implied and no representative or person is authorized to assume any other liability in connection with the sale of our products. There shall be no claims for defects or failure of performance or product failure under any theory of tort, contract or commercial law including, but not limited to negligence, gross negligence, strict liability, breach of warranty, and breach of contract.

### **Returns:**

Please contact customer service by phone, email, or visiting our website under "Customer Care" page for instructions on how to process a warranty claim. WAGAN Corporation is not responsible for any shipping charges incurred in returning the item(s) back to the company for repair or replacement, nor is WAGAN responsible for any item(s) returned without an official Return Authorization number (RA#).

Register your product online at <http://tinyurl.com/wagan-registration> to be added to our email list. You will receive previews on our upcoming products, promotions, and events.

©2015



31088 San Clemente Street  
Hayward, CA 94544, U.S.A.

Tel: + 1.510.471.9221  
U.S. & Canada Toll Free: 1.800.231.5806  
[customerservice@wagan.com](mailto:customerservice@wagan.com)  
[www.wagan.com](http://www.wagan.com)

©2015 Wagan Corporation. All Rights Reserved  
Wagan Tech and [wagan.com](http://wagan.com) are trademarks used by Wagan Corporation

REV20150506-E