

ITEM NO.	DESCRIPTION	QTY.
1	CAP SCREW, HEX HEAD, 5/16"-18 X 3/4" UNC-2A, GRADE 8, MAGNI	1
2	QBASE, 1-1/4" ID, FOR 5/16" HARDWARE, A360 CAST AL	1
3	LAG SCREW, HEX HEAD, 5/16" X 3", ZINC	2
4	SUB-FLASHING, CONE, 9"X9"X.020"/.032", 3003 AL, MILL	1
5	FLASHING, CONE, 18"X18"X.032", 3003 AL, MILL	1
6	COLLAR, COUNTER FLASHING, 1-1/4" ID EPDM	1
7	POST, 1.25" OD X 4.5", 6063-T5/6063-T6, MILL	1
8	WASHER, SEALING, 5/16" ID X 1-1/4" OD, EPDM BONDED SS	1
9	CAP SCREW, 5/16"-18 X 1" UNC-2A, NYLON PATCH, W/ CAPTIVE WASHER, 1"OD, 18-8 SS	1

NOTES:

- [1] AVAILABLE IN MILL FINISH, AND BRONZE ANODIZED FINISH.
- [2] STAINLESS STEEL LAG SCREWS INCLUDED WITH ANODIZED FINISH.

Quick Mount PV[®]

TITLE:

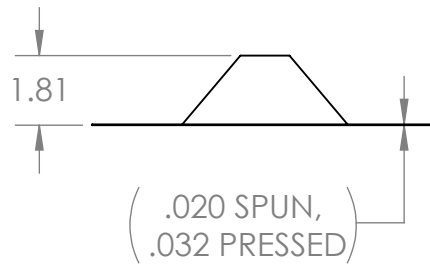
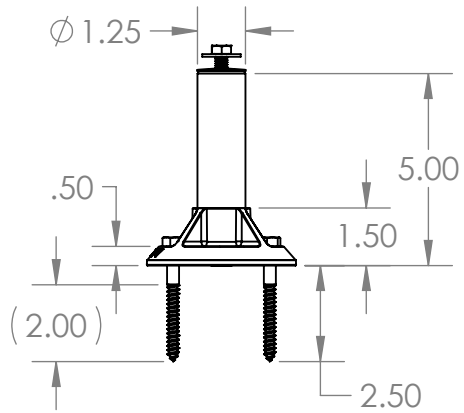
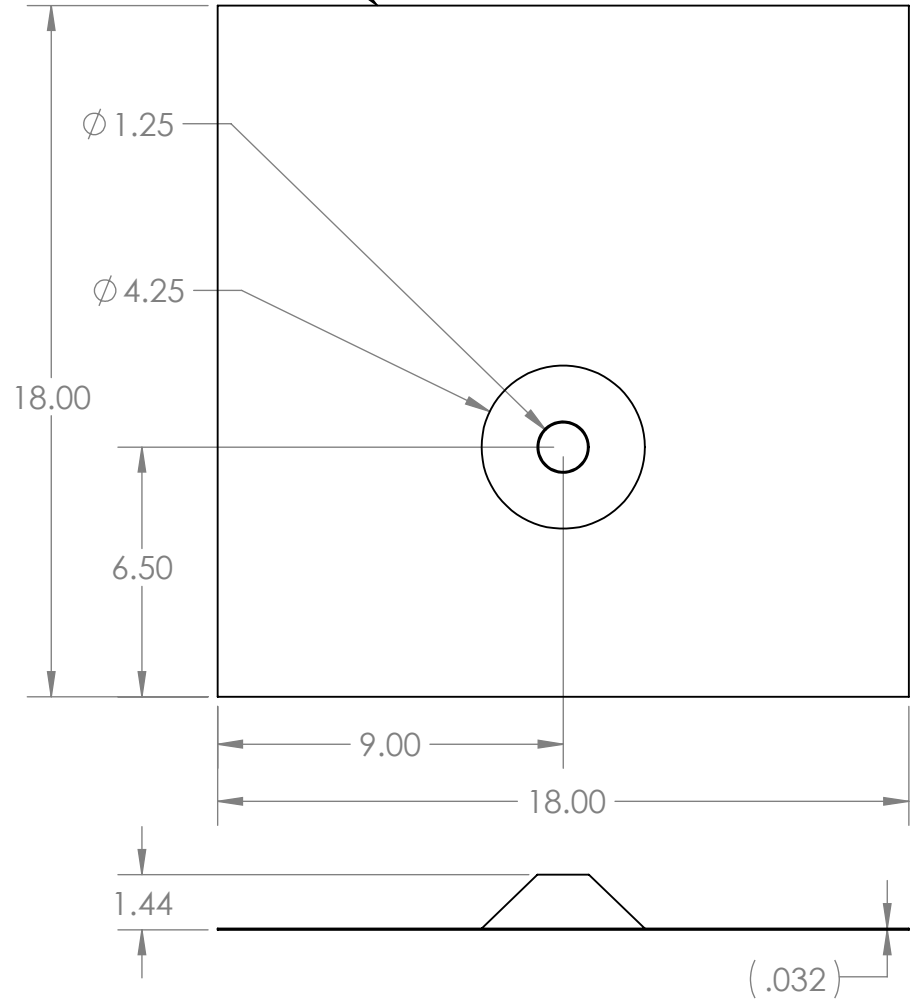
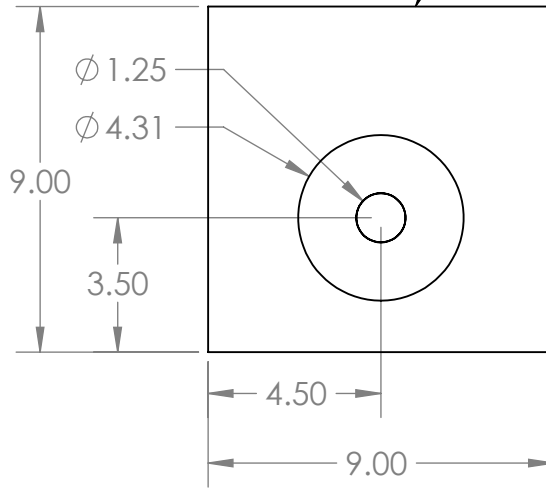
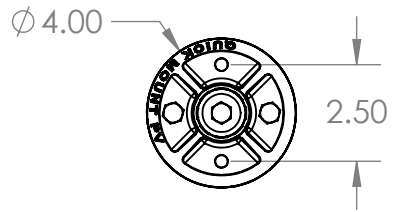
QMSFT: QBASE STANDARD FLAT TILE MOUNT

UNLESS OTHERWISE SPECIFIED:

DIMENSIONS ARE IN INCHES
 TOLERANCES:
 FRACTIONAL ± 1/8
 TWO PLACE DECIMAL ±.19
 THREE PLACE DECIMAL ±.094

SIZE A	DRAWN BY: RAD	REV 9
	DATE: 8/9/2019	
SCALE: 1:5	WEIGHT: 2.17	SHEET 1 OF 2

THIS EDGE TOWARDS ROOF RIDGE



TITLE:
**QMSFT: QBASE STANDARD FLAT
 TILE MOUNT**

UNLESS OTHERWISE SPECIFIED:
 DIMENSIONS ARE IN INCHES
 TOLERANCES:
 FRACTIONAL $\pm 1/8$
 TWO PLACE DECIMAL $\pm .19$
 THREE PLACE DECIMAL $\pm .094$

SIZE A	DRAWN BY: RAD	REV
	DATE: 8/9/2019	9
SCALE: 1:5	WEIGHT: 2.17	SHEET 2 OF 2