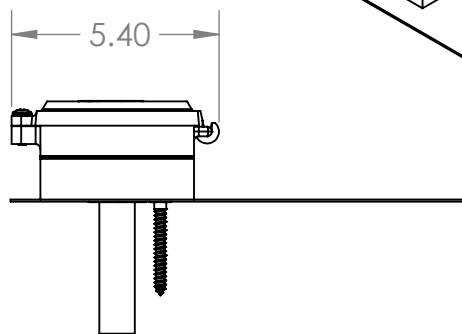
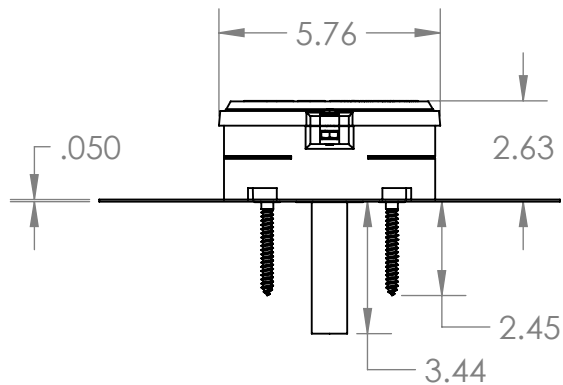
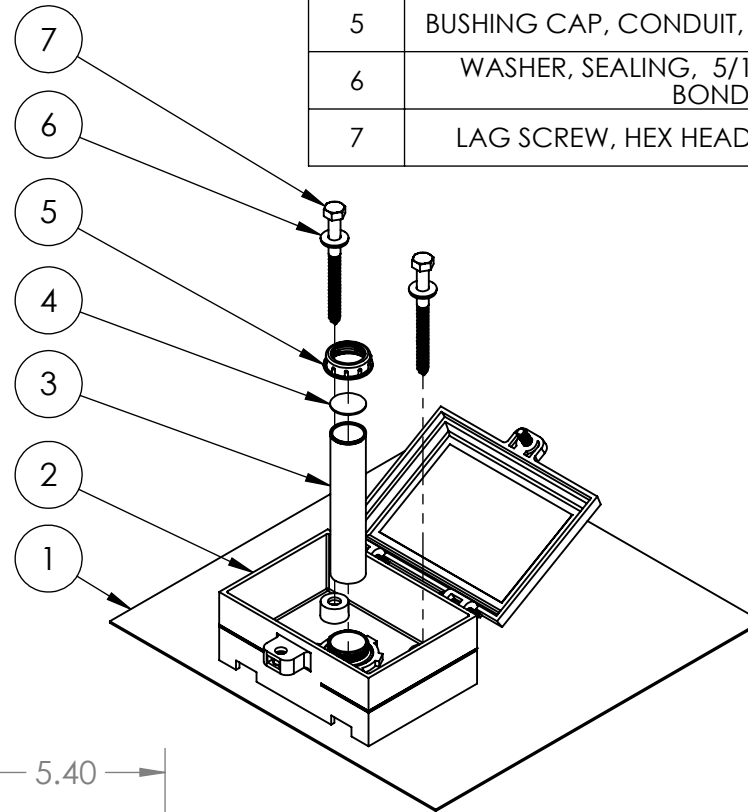
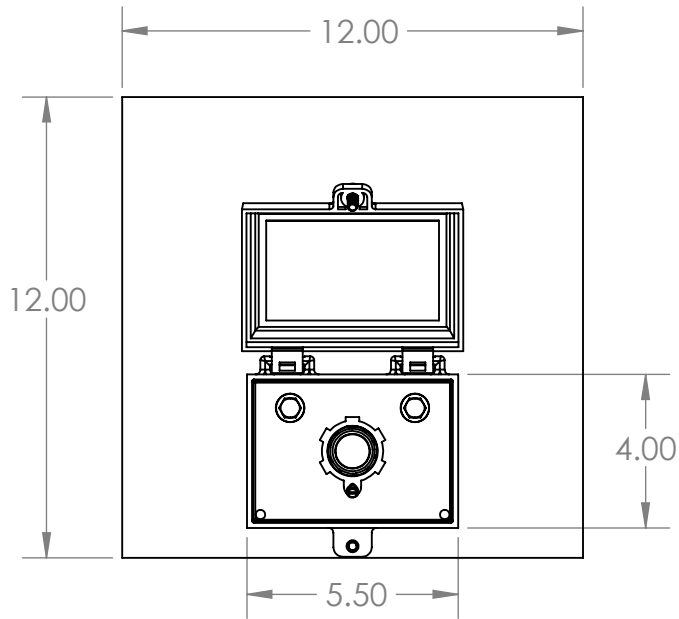


ITEM NO.	DESCRIPTION	INST/Q TY.
1	FLASHING SUB-ASSEMBLY, QBOX-J1, 12" X 12", BRONZE	1
2	BOX SUB-ASSEMBLY, QBOX-J1, 4" X 5-1/2", W/NUT	1
3	EMT CONDUIT, 3/4" X 4-1/2", ALUMINUM	1
4	BLANK, ROUND, 15/16" OD, ALUMINUM	1
5	BUSHING CAP, CONDUIT, THREADED, 3/4", PLASTIC	1
6	WASHER, SEALING, 5/16" ID X 3/4" OD, EPDM BONDED SS	2
7	LAG SCREW, HEX HEAD, 5/16" x 3-1/2", 18-8SS	2



Quick Mount PV[®]

TITLE:
**QMQB-J1: QBOX, FLASHED
JUNCTION BOX, 4" X 5-1/2"**

UNLESS OTHERWISE SPECIFIED: DIMENSIONS ARE IN INCHES TOLERANCES: FRACTIONAL ± 1/8 TWO PLACE DECIMAL ±.19 THREE PLACE DECIMAL ±.094	SIZE A	DRAWN BY: RAD	REV 1
	SCALE: 1:5	DATE: 8/13/2018	WEIGHT: 1.61

SHEET 1 OF 1

PROPRIETARY AND CONFIDENTIAL
THE INFORMATION CONTAINED IN THIS DRAWING IS THE SOLE PROPERTY OF QUICK MOUNT PV. ANY REPRODUCTION IN PART OR AS A WHOLE WITHOUT THE WRITTEN PERMISSION OF QUICK MOUNT PV IS PROHIBITED. COPYRIGHT © 2016 QUICK MOUNT PV

DO NOT SCALE DRAWING

5

4

3

2

1