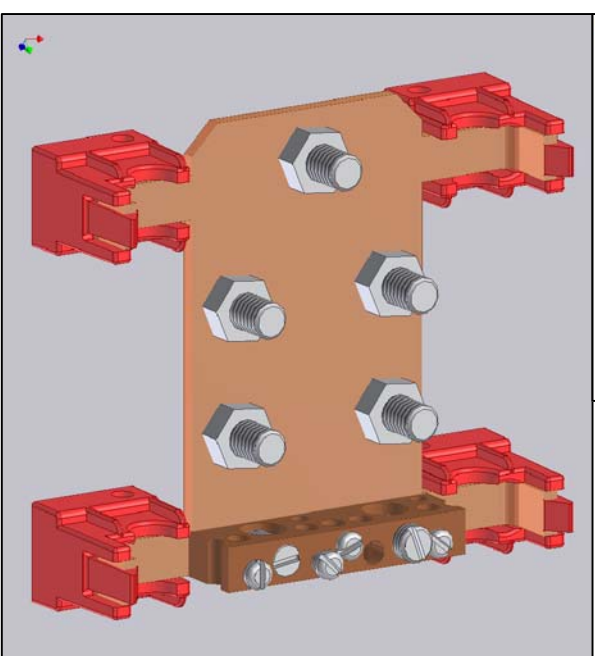
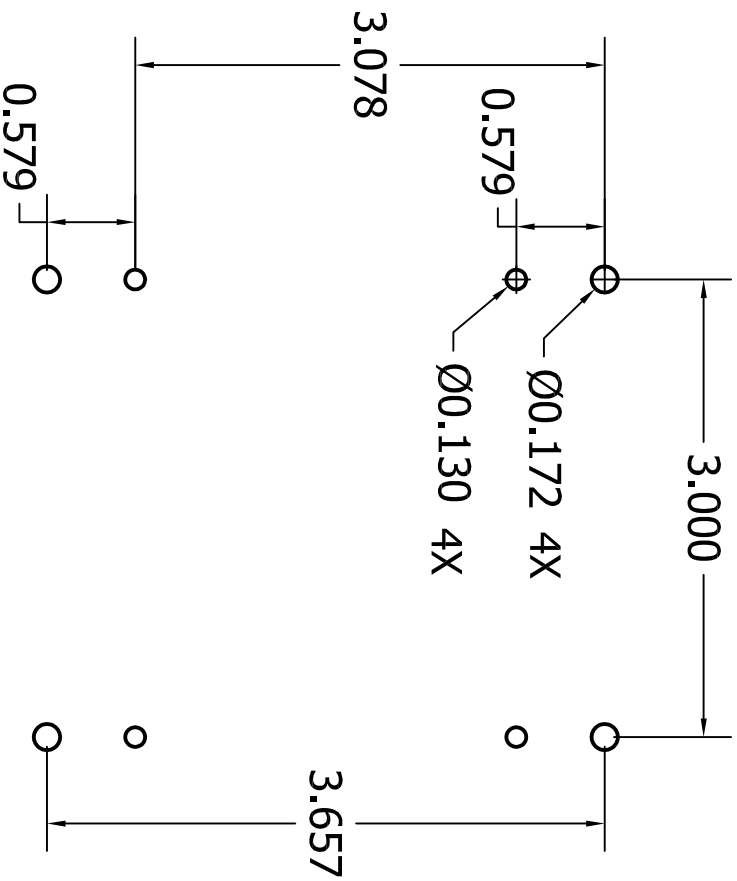


REV

DESCRIPTION

DATE

APPROVED



1. drill holes per dimensions
2. Use 10-32 x 3/8" tapdite (thread forming) screws to hold down insulators
3. secure each leg of bus bar using a cable tie through holes in insulator



14000 BURRN RD
ARLINGTON, WA
98223 USA

DRAWN BY ROBIN GUDGEL

12-15-09

big bus mtg dims

Big Bus Mtg Dims

1 of 1