

DESCRIPTION:  
**ULTRA RAIL WIDE BASE SEAM CLAMP WITH SIMPLE  
 TILT FRONT LEG 10 DEG**

DRAWN BY:

mwatkins

REVISION:

**B**

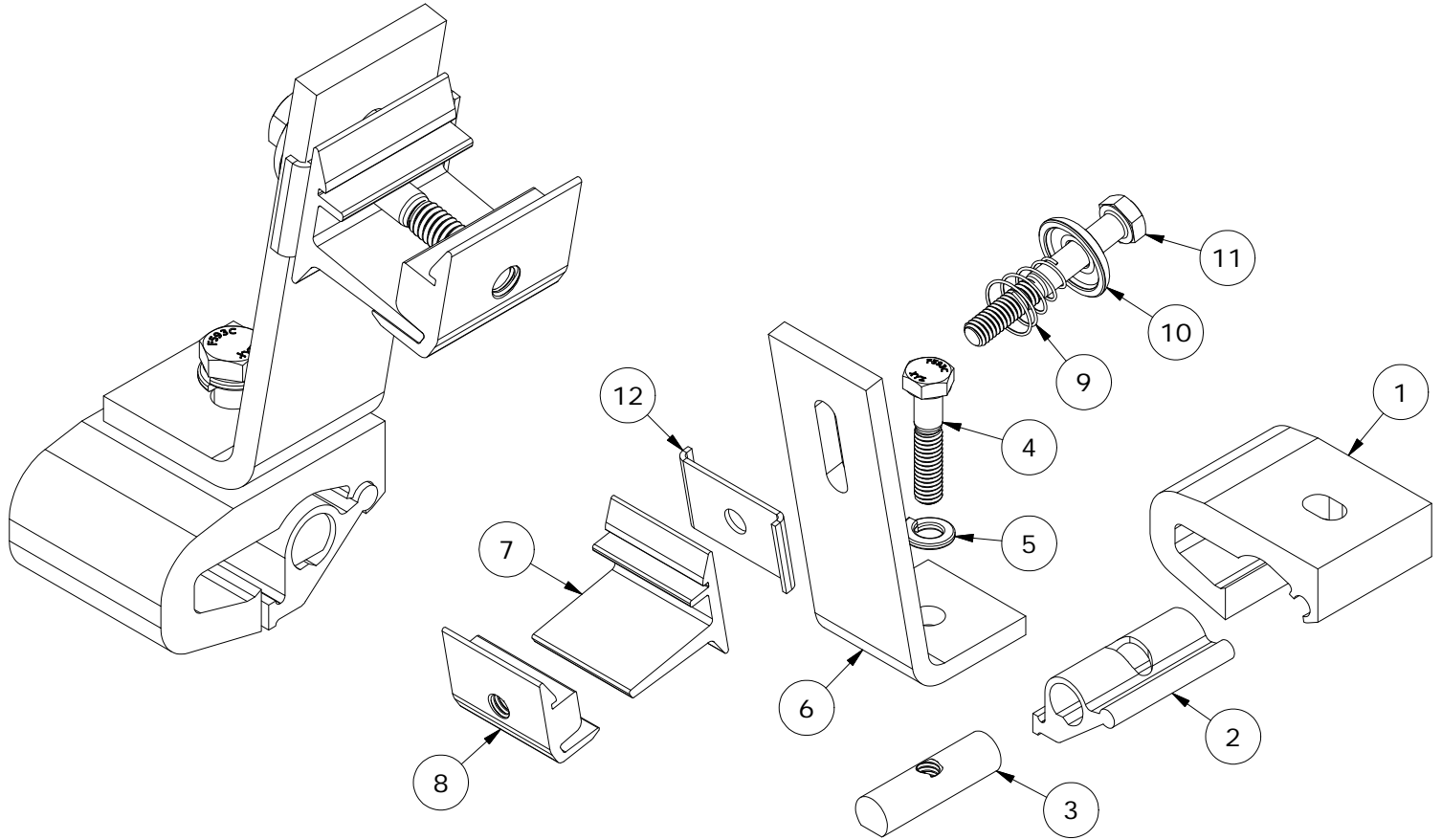
**SnapNrack™**  
**Solar Mounting Solutions**

PART NUMBER(S):

**242-92127**

595 MARKET STREET, 29TH FLOOR • SAN FRANCISCO, CA 94105 USA  
 PHONE (415) 580-6900 • FAX (415) 580-6902

THE INFORMATION IN THIS DRAWING IS CONFIDENTIAL AND PROPRIETARY. ANY REPRODUCTION, DISCLOSURE, OR USE THEREOF IS PROHIBITED WITHOUT THE WRITTEN CONSENT OF SUNRUN SOUTH LLC.



**PARTS LIST**

ITEM	QTY	DESCRIPTION
1	1	SNAPNRACK, SEAM CLAMP WIDE BASE, CLEAR
2	1	SNAPNRACK SEAM CLAMP CAM
3	1	SNAPNRACK SEAM CLAMP INSERT
4	1	5/16IN-18 X 1-1/2IN SS HCS BOLT BLACK
5	1	WASHER, LOCK, 5/16IN, SPLIT, BLACK, SS
6	1	SNAPNRACK, SHORT TILT LEG PLUS PRC, 10 DEG
7	1	SNAPNRACK, ULTRA RAIL MOUNT THRU PRC, CLEAR
8	1	SNAPNRACK, ULTRA RAIL MOUNT TAPPED PRC, CLEAR
9	1	SNAPNRACK, ULTRA RAIL MOUNT SPRING, SS
10	1	SNAPNRACK, ULTRA RAIL MOUNT SPRING CAGE, 6061-T6 AL
11	1	5/16IN-18 X 2-1/4IN SS HCS BOLT
12	1	SNAPNRACK, SEAM CLAMP ROTATION LOCK

MATERIALS:

6000 SERIES ALUMINUM, STAINLESS STEEL

DESIGN LOAD (LBS):

N/A

OPTIONS:

ULTIMATE LOAD (LBS):

N/A

TORQUE SPECIFICATION:

15-16 LB-FT

CERTIFICATION:

UL 2703, FILE E359313

WEIGHT (LBS):

0.83

DESCRIPTION:  
ULTRA RAIL WIDE BASE SEAM CLAMP WITH SIMPLE  
TILT FRONT LEG 10 DEG

DRAWN BY:

mwatkins

REVISION:

**B**

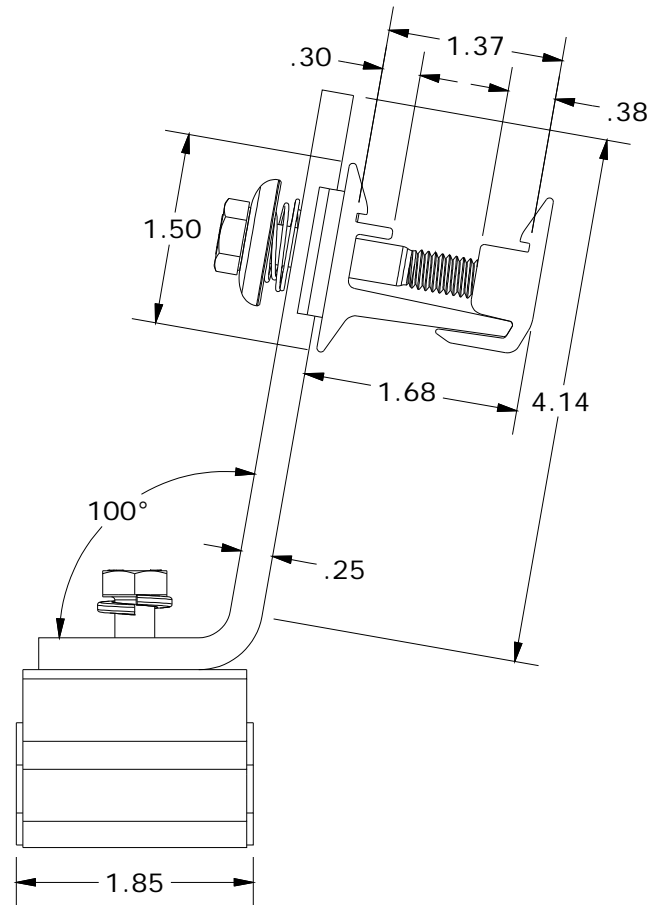
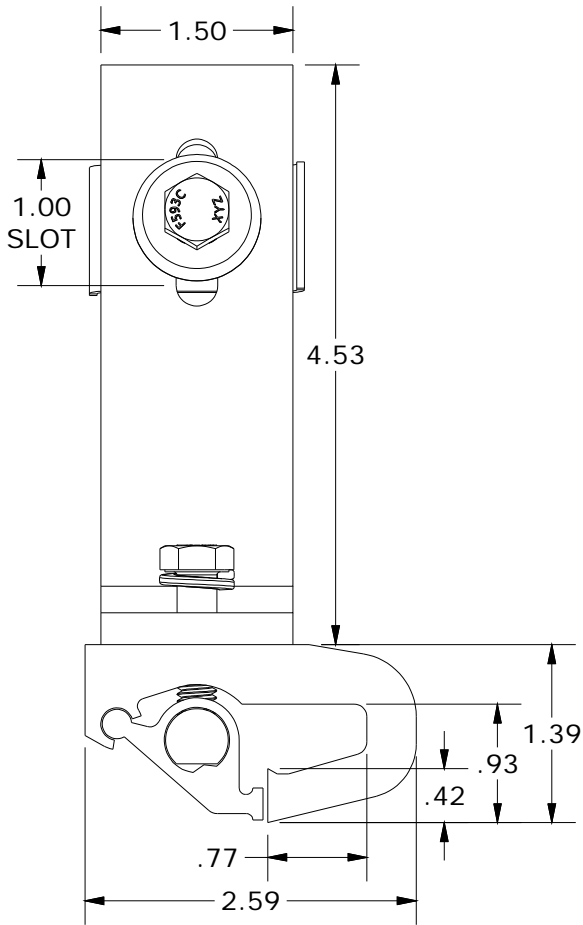
SnapNrack™  
Solar Mounting Solutions

PART NUMBER(S):

242-92127

595 MARKET STREET, 29TH FLOOR • SAN FRANCISCO, CA 94105 USA  
PHONE (415) 580-6900 • FAX (415) 580-6902

THE INFORMATION IN THIS DRAWING IS CONFIDENTIAL AND PROPRIETARY. ANY  
REPRODUCTION, DISCLOSURE, OR USE THEREOF IS PROHIBITED WITHOUT THE  
WRITTEN CONSENT OF SUNRUN SOUTH LLC.



ALL DIMENSIONS IN INCHES