

DESCRIPTION:
SNAPNRACK, ULTRA RAIL TILT-MOUNT KIT

PART NUMBER(S):
242-10019, 242-10020, 242-10021, 242-10022

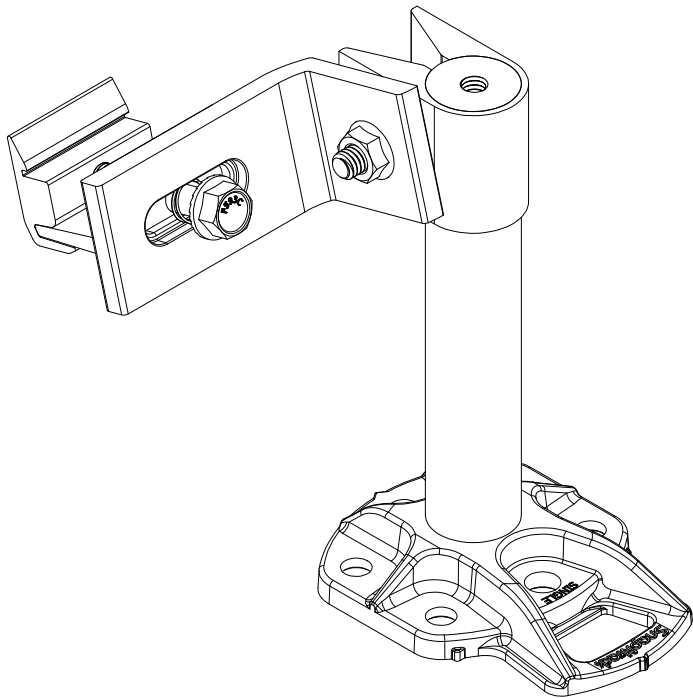
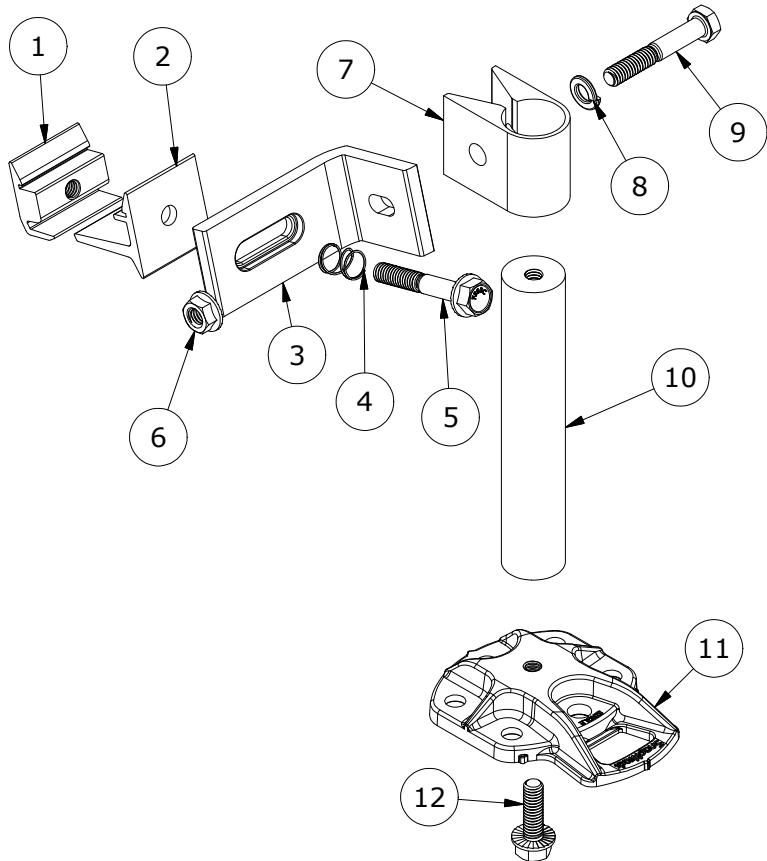
DRAWN BY:
M.Affentranger

REVISION:
A



595 MARKET STREET, 29TH FLOOR • SAN FRANCISCO, CA 94105 USA
 PHONE (415) 580-6900 • FAX (415) 580-6902

THE INFORMATION IN THIS DRAWING IS CONFIDENTIAL AND PROPRIETARY. ANY REPRODUCTION, DISCLOSURE, OR USE THEREOF IS PROHIBITED WITHOUT THE WRITTEN CONSENT OF SUNRUN SOUTH LLC.



ISO

EXPLODED

PARTS LIST

ITEM	QTY	DESCRIPTION
1	1	SNAPNRACK, ULTRA RAIL MOUNT TAPPED PRC, CLEAR
2	1	SNAPNRACK, ULTRA RAIL MOUNT THRU PRC, CLEAR
3	1	SNAPNRACK, AP90 L FOOT, STEPPED, CLEAR
4	1	SNAPNRACK, RL UNIVERSAL, MOUNT SPRING, SS
5	1	BOLT, FLANGE, SERRATED, 5-16IN-18 X 2IN, SS
6	1	NUT, FLANGE, SERRATED, 5-16IN-18, SS
7	1	SNAPNRACK STANDOFF CLAMP CLEAR
8	1	WASHER, LOCK, 5-16IN, SPLIT, SS
9	1	5-16IN-18 X 2IN SS HCS BOLT
10	1	SNAPNRACK STANDOFF SHAFT, LENGTH VARIES
11	1	SNAPNRACK, OMNIBASE, CASTING
12	1	BOLT, FLANGE, SERRATED, 5/16IN-18 X 1IN, SS

MATERIALS:	6000 SERIES ALUMINUM, A380 ALUMINUM, 300 SERIES STAINLESS STEEL
DESIGN LOAD (LBS):	655 UP, 1333 DOWN, 190 SIDE, 161 LATERAL
ULTIMATE LOAD (LBS):	N/A
TORQUE SPECIFICATION:	12 LB-FT
CERTIFICATION:	UL 2703, FILE E359313
WEIGHT (LBS):	REFER TO TABLE ON NEXT PAGE

DESCRIPTION:

SNAPNRACK, ULTRA RAIL TILT-MOUNT KIT

DRAWN BY:

M.Affentranger

SnapNrack®

PART NUMBER(S):

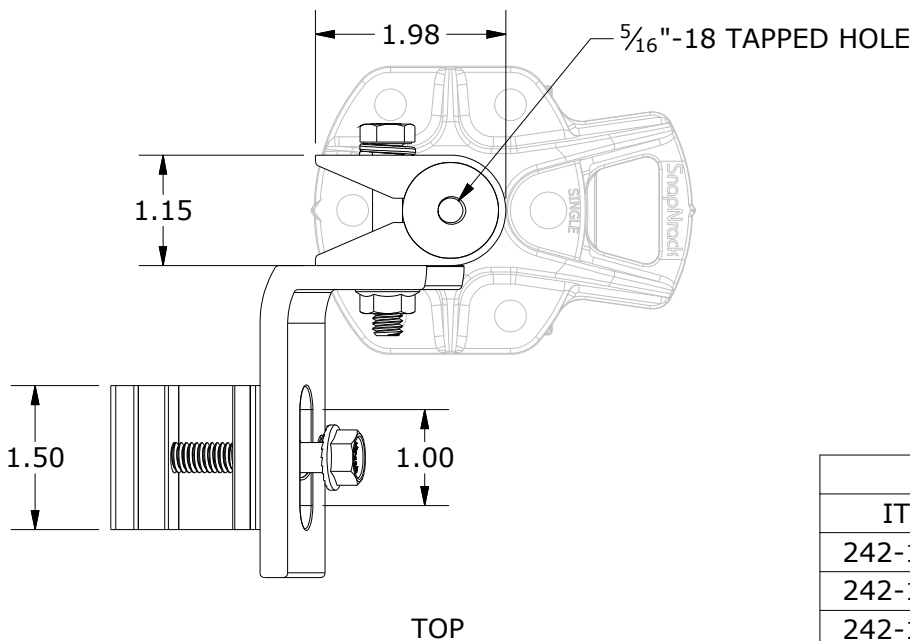
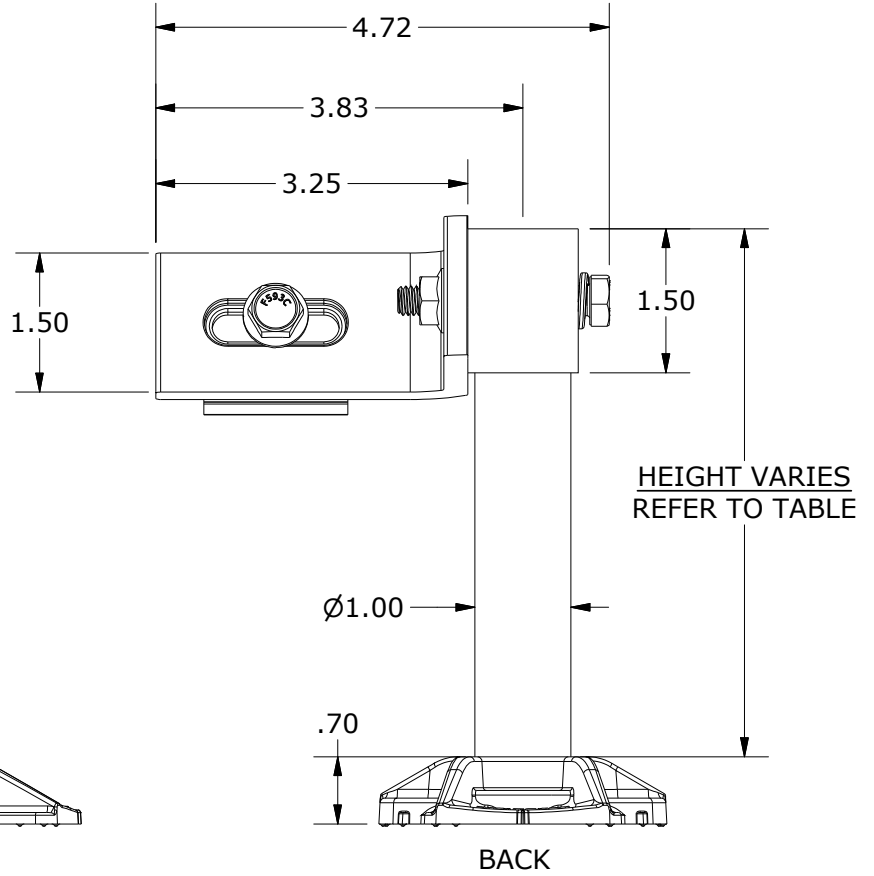
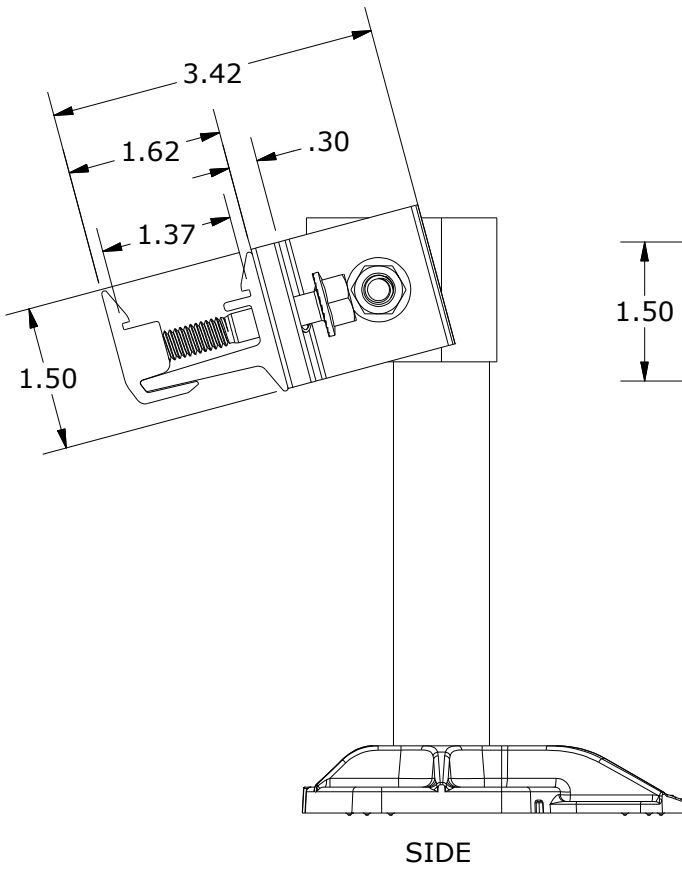
242-10019, 242-10020, 242-10021, 242-10022

REVISION:

A

595 MARKET STREET, 29TH FLOOR • SAN FRANCISCO, CA 94105 USA
PHONE (415) 580-6900 • FAX (415) 580-6902

THE INFORMATION IN THIS DRAWING IS CONFIDENTIAL AND PROPRIETARY. ANY REPRODUCTION, DISCLOSURE, OR USE THEREOF IS PROHIBITED WITHOUT THE WRITTEN CONSENT OF SUNRUN SOUTH LLC.



ALL DIMENSIONS IN INCHES

TABLE OF PROPERTIES		
ITEM	STANDOFF LENGTH	WEIGHT (LBS)
242-10019	5-1/2"	1.23
242-10020	10"	1.55
242-10021	14"	1.83
242-10021	23"	2.48

DESCRIPTION:

SNAPNRACK, ULTRA RAIL TILT-MOUNT KIT

DRAWN BY:

M.Affentranger

SnapNrack®

PART NUMBER(S):

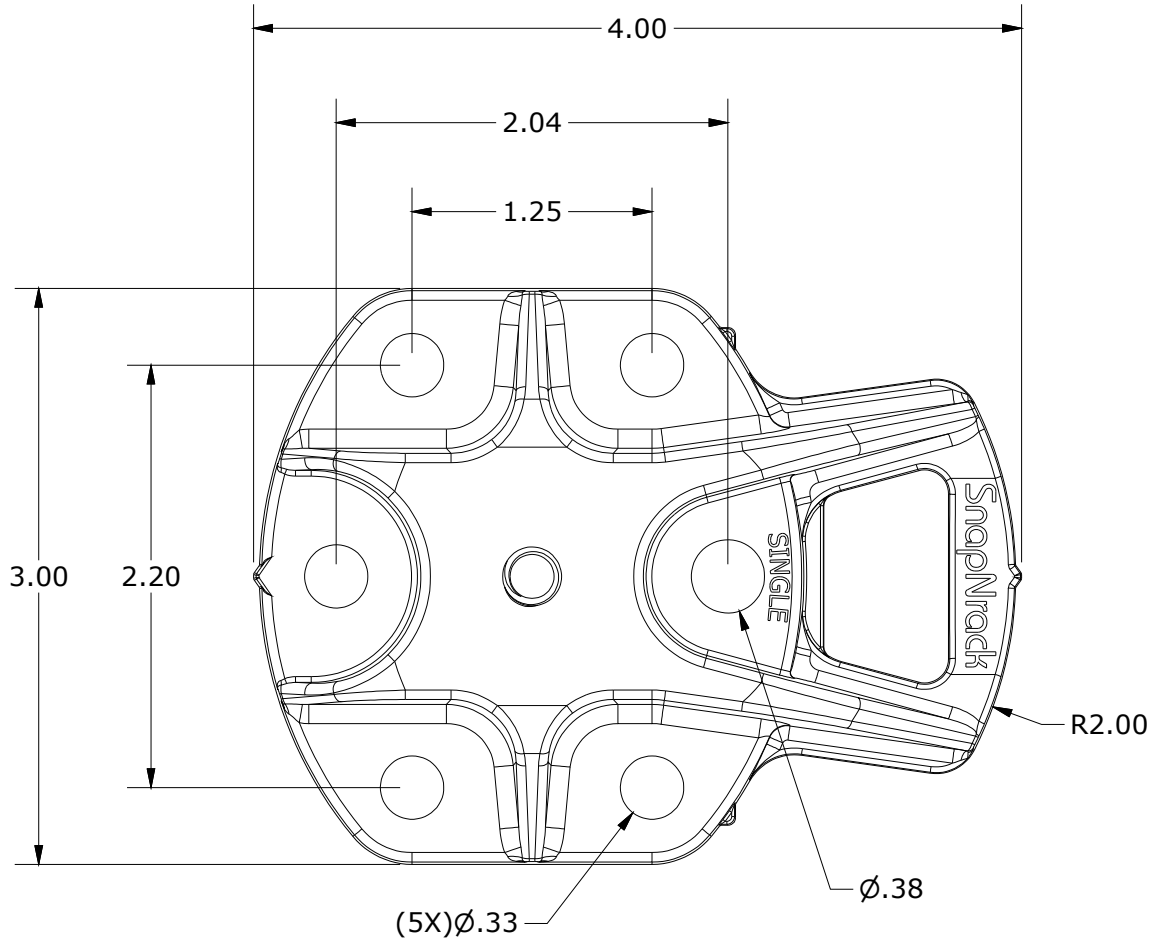
242-10019, 242-10020, 242-10021, 242-10022

REVISION:

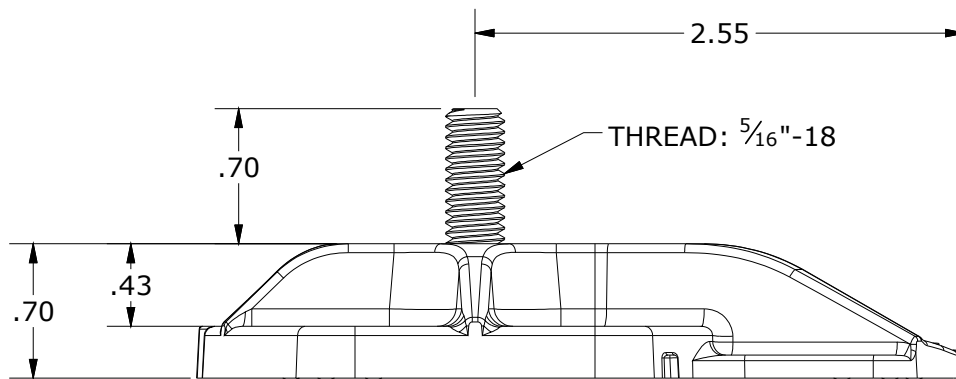
A

595 MARKET STREET, 29TH FLOOR • SAN FRANCISCO, CA 94105 USA
PHONE (415) 580-6900 • FAX (415) 580-6902

THE INFORMATION IN THIS DRAWING IS CONFIDENTIAL AND PROPRIETARY. ANY REPRODUCTION, DISCLOSURE, OR USE THEREOF IS PROHIBITED WITHOUT THE WRITTEN CONSENT OF SUNRUN SOUTH LLC.



TOP



SIDE

ALL DIMENSIONS IN INCHES