

DESCRIPTION:
SNAPRACK, SPEEDSEAL™ CONDUIT MOUNT KIT

PART NUMBER(S):
242-05164, 242-05165

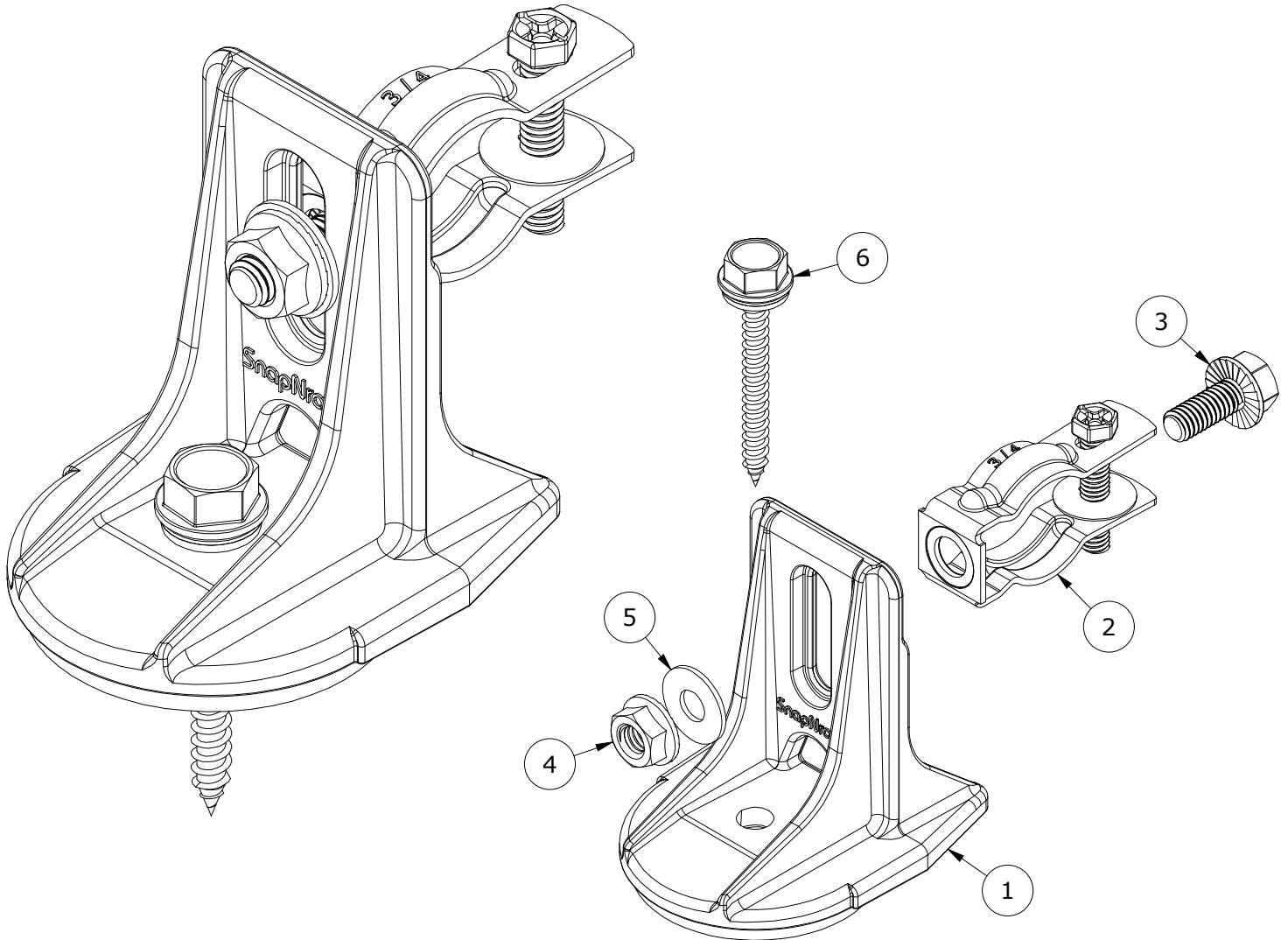
DRAWN BY:
 mwatkins

REVISION:
C

SnapNrack™
Solar Mounting Solutions

595 MARKET STREET, 29TH FLOOR • SAN FRANCISCO, CA 94105 USA
 PHONE (415) 580-6900 • FAX (415) 580-6902

THE INFORMATION IN THIS DRAWING IS CONFIDENTIAL AND PROPRIETARY. ANY REPRODUCTION, DISCLOSURE, OR USE THEREOF IS PROHIBITED WITHOUT THE WRITTEN CONSENT OF SUNRUN SOUTH LLC.



PARTS LIST

ITEM	QTY	DESCRIPTION
1	1	SNAPRACK, SPEEDSEAL FOOT, BASE, SEALING, SILVER
2	1	CONDUIT SUPPORT, RIGID-EMT, 3/8IN HOLE, HANGER-BOLT-NUTLESS, ZINC PLATED STEEL
3	1	BOLT, FLANGE, 5/16IN-18 X 3/4IN, CLEAR, SS
4	1	NUT, FLANGE, SERRATED, 5/16IN-18, SS
5	1	5/16IN X 3/4IN SS FLAT WASHER
6	1	SNAPRACK, SEALING WASHER WOOD SCREW, #14 X 2-1/4IN, 1/2IN HEX HEAD, SS

MATERIALS:	DIE CAST A380 ALUMINUM, ZINC PLATED STEEL, STAINLESS STEEL	
DESIGN LOAD (LBS):	N/A	OPTIONS:
ULTIMATE LOAD (LBS):	N/A	3/4" & 1" EMT
TORQUE SPECIFICATION:	12 LB-FT	
CERTIFICATION:	N/A	
WEIGHT (LBS):	0.44 - 0.45	

DESCRIPTION:
SNAPRACK, SPEEDSEAL™ CONDUIT MOUNT KIT

DRAWN BY:
 mwatkins

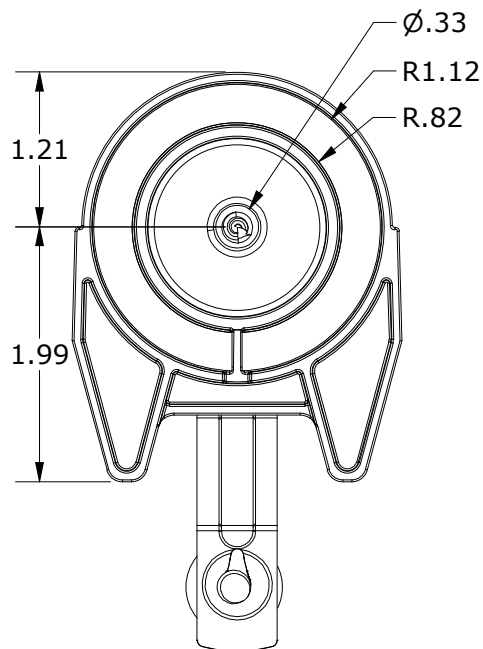
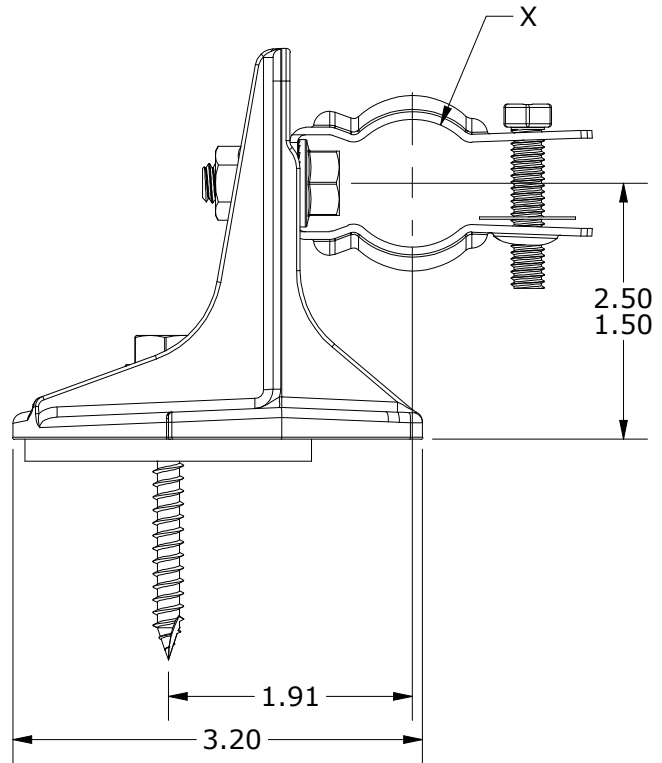
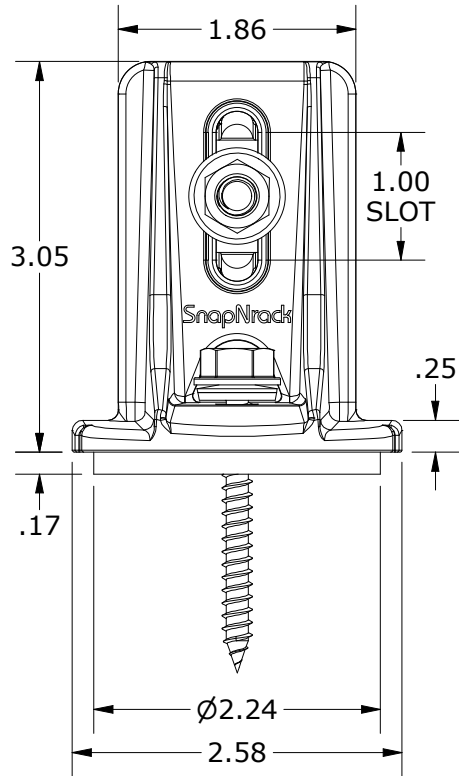


PART NUMBER(S):
 242-05164, 242-05165

REVISION:
C

595 MARKET STREET, 29TH FLOOR • SAN FRANCISCO, CA 94105 USA
 PHONE (415) 580-6900 • FAX (415) 580-6902

THE INFORMATION IN THIS DRAWING IS CONFIDENTIAL AND PROPRIETARY. ANY REPRODUCTION, DISCLOSURE, OR USE THEREOF IS PROHIBITED WITHOUT THE WRITTEN CONSENT OF SUNRUN SOUTH LLC.



CONDUIT MOUNT PROPERTIES	
SKU	CONDUIT SIZE (X)
242-05164	3/4" EMT
242-05165	1" EMT

ALL DIMENSIONS IN INCHES