

Product data sheet

Characteristics

H325NR

Safety switch, heavy duty, fusible, 400A, 3 poles, 125 hp, 240 VAC/250 VDC, NEMA 3R, neutral factory installed

Product availability : Stock - Normally stocked in distribution facility



Main

Product	Single Throw Safety Switch
Duty Rating	Heavy duty
Device application	Heavy application
Disconnect Type	Fusible disconnect
Factory Installed Neutral	Neutral (factory installed)
Phase	3 phase
Number of Poles	3
Current Rating	400 A
Voltage Rating	250 V DC 240 V AC
Enclosure Rating	NEMA 3R galvanized steel
Maximum Horse Power Rating	50 hp 240 V at AC 50-60 Hz for 3 phase conforming to NEC 240.6 125 hp 240 V at AC 50-60 Hz for 3 phase conforming to NEC 430.52 50 hp 250 V at DC

Complementary

Short Circuit Current Rating	10 kA H or K 200 kA R, J or L
Fuse type	H or K R, J or L
Mounting Type	Surface
Electrical Connection	Lugs
Wiring configuration	4-wire (3PH + G)
Wire Size	AWG 1/0...750 kcmil copper or aluminium
Tightening torque	550 lbf.in (62.14 N.m) AWG 1/0...750 kcmil)

* Price is "List Price" and may be subject to a trade discount – check with your local distributor or retailer for actual price.

Depth	10.13 in (257.30 mm)
Width	27.88 in (708.15 mm)
Height	50.31 in (1277.87 mm)
Net Weight	192.02 lb(US) (87.1 kg)

Environment

Certifications	UL listed file E2875
----------------	----------------------

Ordering and shipping details

Category	00054 - H&HU SW,NEMA3R,400-1200A
Discount Schedule	DE1
GTIN	00785901451440
Nbr. of units in pkg.	1
Package weight(Lbs)	183 lb(US) (83.01 kg)
Returnability	Yes
Country of origin	MX

Packing Units

Unit Type of Package 1	PCE
Package 1 Height	1.17 ft (0.356 m)
Package 1 width	2.38 ft (0.724 m)
Package 1 Length	4.38 ft (1.334 m)

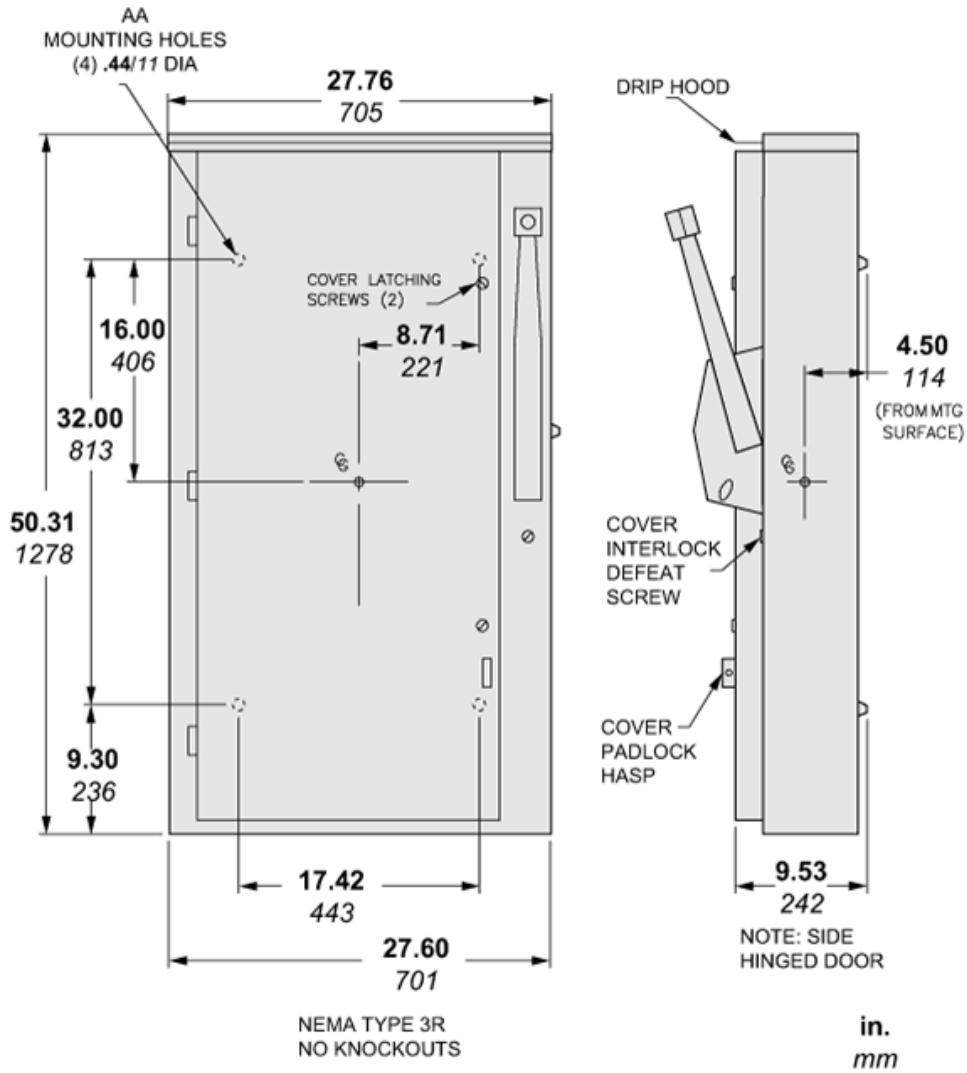
Offer Sustainability

Sustainable offer status	Green Premium product
California proposition 65	WARNING: This product can expose you to chemicals including: Lead and lead compounds, which is known to the State of California to cause cancer and birth defects or other reproductive harm. For more information go to www.P65Warnings.ca.gov
REACH Regulation	REACH Declaration
REACH free of SVHC	Yes
EU RoHS Directive	Compliant EU RoHS Declaration
Mercury free	Yes
RoHS exemption information	Yes
China RoHS Regulation	China RoHS declaration Product out of China RoHS scope. Substance declaration for your information.
Environmental Disclosure	Product Environmental Profile
PVC free	Yes
Halogen content performance	Halogen free plastic parts product

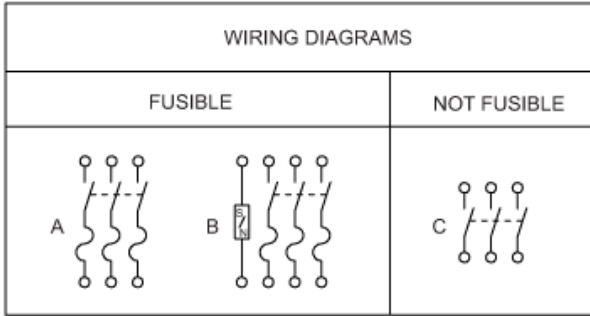
Contractual warranty

Warranty	18 months
----------	-----------

Approximate Dimensions



Wiring Diagrams



TERMINAL LUGS DATA			
AMPERE	MAX WIRE	MIN WIRE	TYPE
400	(1) 750 KCMIL OR (2) 300 KCMIL	(1) #1/0 AWG OR (2) #1/0 AWG	AL OR CU