

100 & 200 Wire Management Solutions

SnapNrack 100 Roof Mount & 200 Ground Mount Wire Management Solutions comprise a set of dedicated components to reliably and cost effectively secure PV module and microinverter leads. All components are made of materials which have been selected for their high UV exposure capability and ability to handle extreme rooftop temperatures common under solar arrays.

The SnapNrack UL listed Junction Box provides a quick and easy installation utilizing snap-in features and NEMA 4x rating, to conceal and protect electrical connections. It is expertly designed to be 6" x 5" x 3" and fully integrated with DIN rail mounts inside. Large enough for wire management but small enough to be adaptable to any mounting configuration.

The 4-Wire Clamp and Trunk Cable Clamp offers a strong and reliable solution for securing either 1-4 PV conductor cables or 1-2 Micro-Inverter AC trunk cables along SnapNrack Rail Channels, transitioning in and out of channels, and even routing across rails. Wire Retention Clips allow you to quickly secure PV conductor and AC trunk lines into our standard rail channels.

Combining these solutions will not only provide a high quality wire management solution for the life of the system, but will provide a faster and easier installation.

Full Wire Management Solution Includes:

- Junction Box
- 4-Wire Clamp
- Trunk Cable Clamp
- Wire Retention Clip
- Standard Rail Channel



Features Include



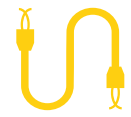
Snap in Hardware



Single Tool Installation



No Cutting or Drilling



Integrated Wire Management

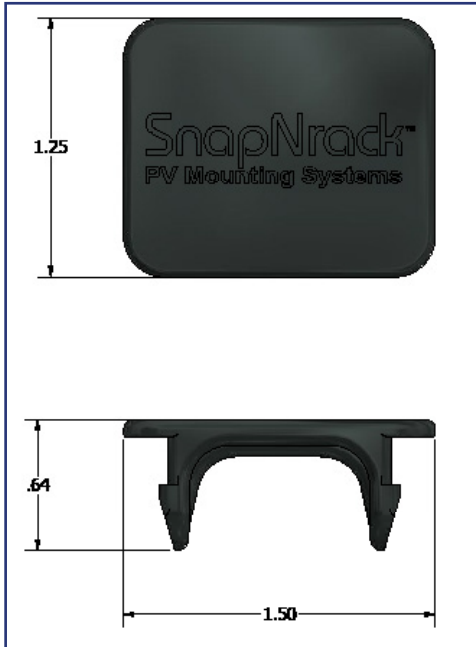


Preassembled hardware

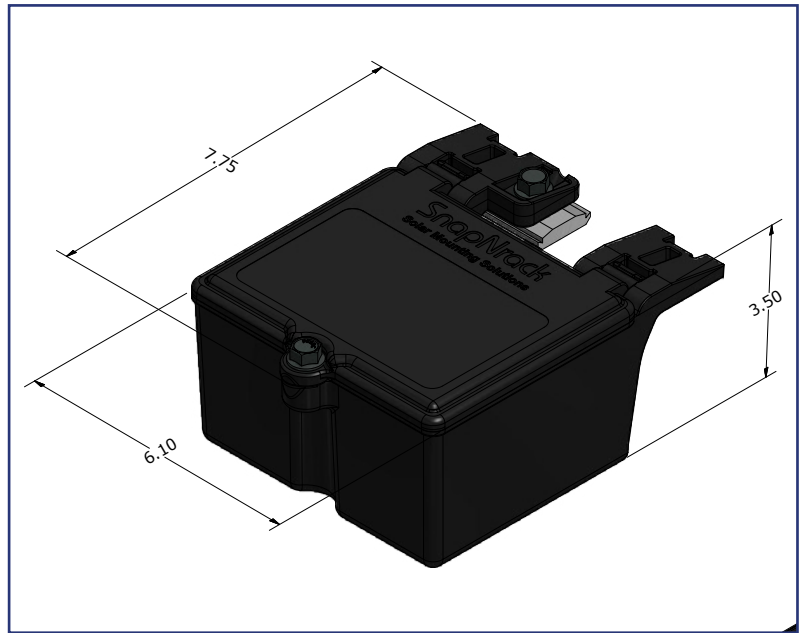


UL 2703 Certified

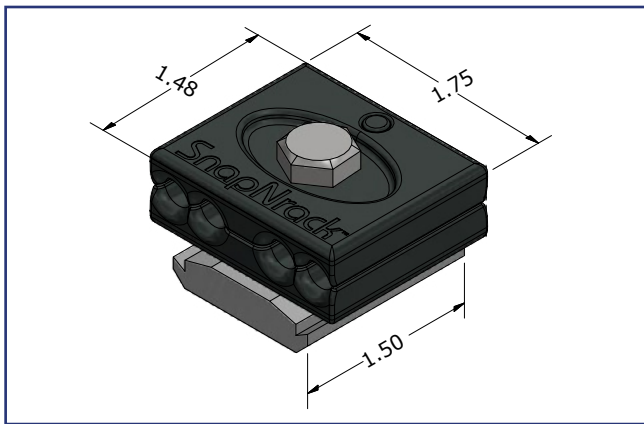
Wire Clip Dimensions



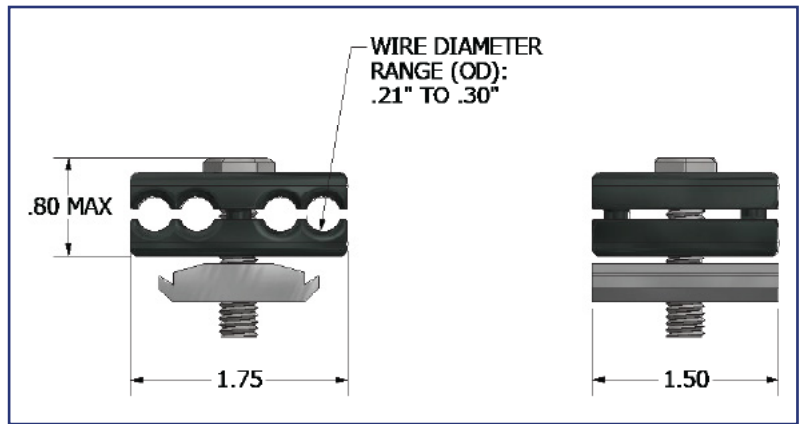
Junction Box Dimensions



Trunk Cable Clamp Dimensions



4-Wire Clamp Dimensions



WIRE MANAGEMENT TECHNICAL DATA

	Wire Retention Clip	4-Wire Clamp	Trunk Cable Clamp	Junction Box
Materials	UV-resistant polymer	<ul style="list-style-type: none"> UV-resistant polymer Aluminum and stainless steel 	Polycarbonate	<ul style="list-style-type: none"> Box: Polycarbonate Gasket: Rubber
Weight	0.01 lbs	0.12 lbs	0.136 lbs	1.161 lbs

Warranty

10 year limited product warranty; 5 year limited finish warranty