



Commercial Energy Storage Solution

SL-1000

SolarLEAF™ is a fully-integrated energy storage device that seamlessly integrates behind each photovoltaic (PV) panel in a solar array. Engineered with smart thermal regulation technology, SolarLEAF™ safely enables a distributed and scalable format while maximizing the life and performance of the battery under extreme temperature conditions.

The SolarLEAF™ is the most reliable and easiest to deploy energy storage system for solar self-consumption, time-based control and peak energy shaving, enabling customers to enhance energy savings and achieve energy independence from the grid.



The safest and simplest way to integrate storage with solar PV

LONGER BATTERY LIFE

Breakthrough thermal regulation technology allows our batteries to operate in extreme temperatures without adversely affecting usable lifespan.

EASY INSTALLATION + NO ADDED SPACE

Through panel-level storage, SolarLEAF™ allows for the lowest installed costs for adding energy storage to any solar PV system.

COMPLETELY INTEGRATED

Battery optimized for use with Yotta Dual Power Inverter for full flexibility to adapt to your solar and storage needs and grow with your future demands.

PLUG-AND-PLAY

Eliminates the need for heavy enclosures, complicated HVAC systems and expensive fire suppression systems.

FULL CONTROL

Our built-in DC Optimizer with wireless monitoring manages both solar power generation and energy storage.

ADVANCED SAFETY MEASURES

LFP chemistry's inherent safety, a fireproof enclosure, and rapid shutdown make SolarLEAF™ one of the safest way to add energy storage to any project.



Module Specifications

ELECTRICAL

Solar PV Input	Up to 750W
Module Compatibility	60-72 Cell PV modules Voc(max) 60V - Isc(max) 12.5A
Inverter Compatibility	Yotta DPI Microinverter
DC Voltage - Nominal	38.4V
Amp Hours	26.4Ah
Rated kWh Capacity	1000Wh @ (100% DoD) 800Wh @ (80% DoD)
Allowable Depth of Discharge (DoD) ¹	Up to 100%
Voltage Range ¹	24.0V to 43.8V
Max Continuous Voltage (charge & discharge)	60V
Max Continuous Current (charge & discharge)	12.5A
Max Power Output ² (discharge)	Up to 750W
DC Conversion Efficiency ³	95%
Chemistry	Lithium Iron Phosphate
Cycle Life	6,000+ Cycles (@ 80% DoD)

Notes:

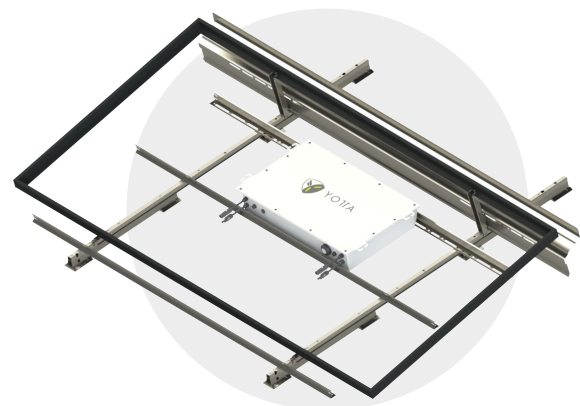
- 1 - Maximum operating ranges. Refer to warranty for recommended conditions.
- 2 - From battery, but further limited by solar inverter.
- 3 - Solar to battery to inverter, at beginning of life.

MECHANICAL

Weight	52.6lbs / 23.9kg
PSF	2.7 / 3.0 psf typical
Mounting Options	Attaches to PV or ballast racking
Ambient Op. Temp	-20° to 65°C (-4° to 150°F)
Storage Temp	-20° to 55°C (-4° to 114°F)
Dimensions	15.75 x 26.25 x 4.25 (inch) 400 x 667 x 108 (mm)

SAFETY AND WARRANTY

Warranty	10 yrs.
Enclosure	NEMA 4X, IP 67
Certification	UL1973 (Pending) UL9540 (Pending)
Monitoring	Yotta Energy Services (Y.E.S.) via SolarPLEXUS Gateway
Safety	NEC 2020 Rapid shutdown UL9540A and NFPA 855 (Pending)



Example: SolarLEAF™ with PanelClaw FR
10 Degree Ballast Racking