

Visual indicators for operation and errors

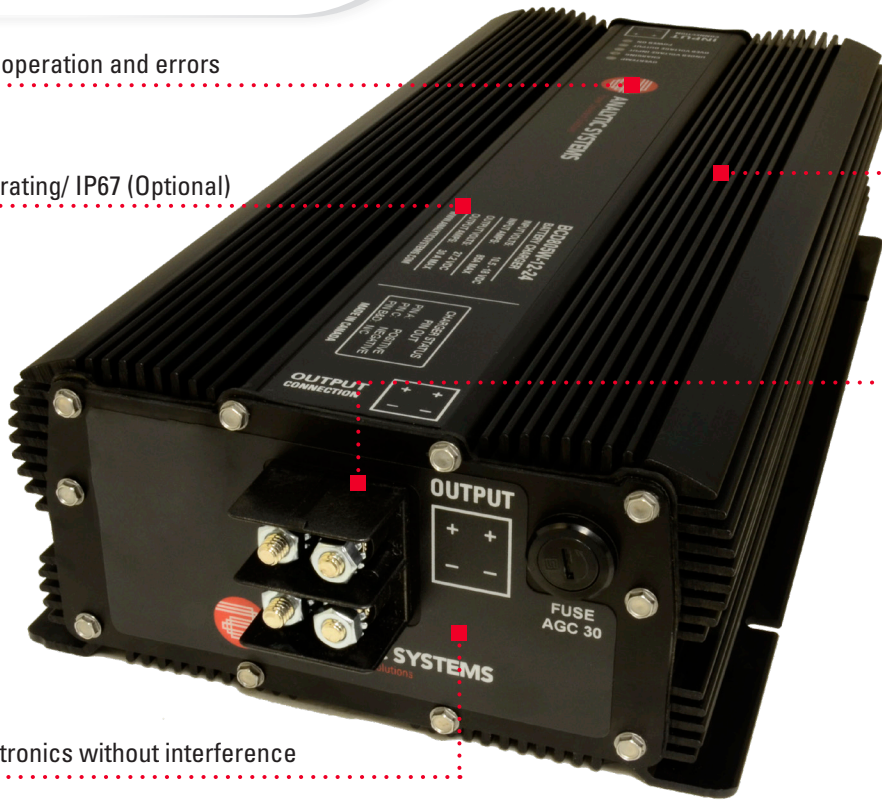
Sealed to meet IP66 rating/ IP67 (Optional)

Rugged and reliable

Simple and intuitive operation

Power sensitive electronics without interference

*Unit may not exactly as shown



VTC805W/Y
DC/DC VOLTAGE CONVERTER

The VTC805W/Y series Voltage Converter converts a 12VDC or 24VDC source to nominal 24VDC output. This output voltage is easily adjustable to 1.0V above or below the standard output.

Internally, the proven current mode switching design offers increased power and dependability in a compact package, while extra input and output filtering reduce EMI to extremely low levels.

This unit features rugged IP66-rated water and dust-resistant construction. Optionally, the unit can be sealed to meet the IP67-rating for protection against submersion, complete with in-house testing and report.

Reliability features include an input circuit breaker and thermal shutdown to ensure safe operation of the unit. While current limiting and short circuit shutdown with automatic recovery protect the load. The unit's operating condition is monitored by chassis-integrated LED indicators, which can be duplicated on the optional converter status panel. Other available options include portability and military ruggedization upgrades.

3 YEAR WARRANTY



Available models

Input

12

24

Output

24

Applications



VTC805W/Y | DC-DC SEALED VOLTAGE CONVERTER

INPUT	12	24
Nominal Voltage	12 VDC	24 VDC
Actual Voltage	11-16 VDC	20-35 VDC
Input Amps (Max.)	79 A	39.5 A
Input Circuit Breaker	90 Amp	50 Amp
Input Noise	< 50 mV peak-peak	

OUTPUT	24
Nominal Voltage	24 VDC
Actual Voltage	27.2 ± 0.05 VDC
Output Amps	12-24V = 30A (Cont) / 36A (Peak) 24-24V = 20A (Cont) / 24A (Peak))
Overvoltage Crowbar Protection	32.0 ± 1.0V
Output Voltage Adjustment	± 10%
Switching Frequency	60 ± 2.0 KHz
Idle Power	< 10 Watts
Output Ripple & Noise	< 50 mV
Transient Response	< 2V for 50% Surge
Regulation (Line & Load)	< +/- 0.5%
Duty Cycle	Peak: 20% for 10 min max Continuous: 100% for 24 hours per day
Efficiency	> 85% @ Maximum Output

MECHANICAL

Length	16.3 in / 41.1 cm
Width	8.4 in / 21.3 cm
Height	3.9 in / 9.9 cm
Clearance	1.0 in / 2.5cm (all around)
Weight	16.0 lbs / 7.3kg
Packaging	Watertight - Built to meet IP66 (IP67 Rating Optional)
Material and Finish	Marine Grade Black Anodized Aluminum with 18-8 Stainless Fasteners
Mounting	Wall or Shelf Mount
Connections	DC In and Out – Marathon ST722B2502UH, 175 Amp, 300V Rating c/w Protective Snap On Cover

ENVIRONMENTAL AND SAFETY

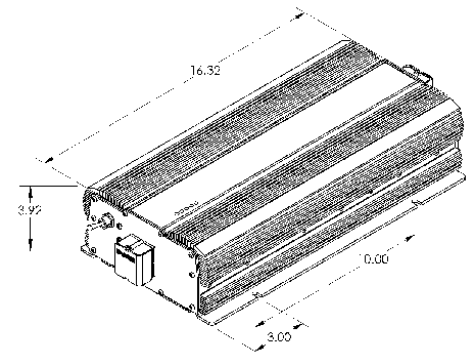
Operating Temperature	-25°C to +40°C @ maximum output. Derate Linearly 2.5% per °C from +40°C
Humidity	0 - 95% Relative Humidity (non-condensing) with standard conformal coating
Isolation	Non-isolated, Common Negative
Audible Noise	NONE, Ødb @ 3 ft
Typical Service Life	> 10 yrs. (87,600 hrs)
Warranty	Three years parts and labor

Note: Specifications are subject to change without notice.

OPTIONS

- Paralleling Diodes - parallel multiple units for increased power
- MIL461F Stand-alone testing and report
- MIL810G Stand-alone testing and report
- Military ruggedization package
- Chassis-integrated digital voltmeter/ammeter
- Custom input/output voltages

DIMENSIONS



ANALYTIC SYSTEMS
Power Conversion Solutions

- AnalyticSystems.com
- Sales@AnalyticSystems.com
- 604.946.9981 800.668.3884

101-8128 River Way
Delta, BC V4G 1K5