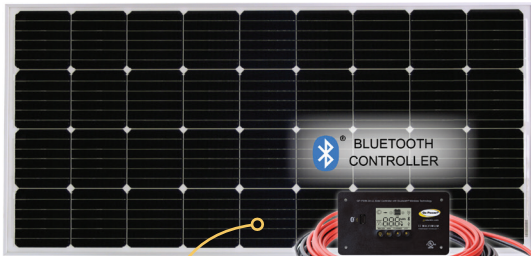




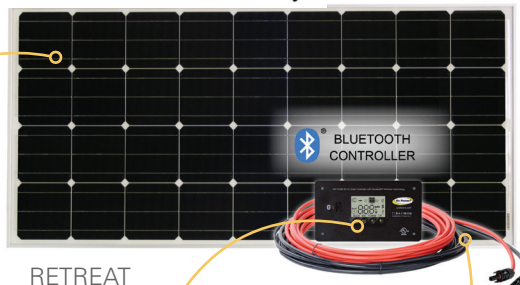
SOLAR KITS



LARGE SOLAR KITS FOR DC POWER ESSENTIALS AND BATTERY MAINTENANCE



OVERLANDER



RETREAT

High-efficiency solar modules with MC4 connectors and tempered glass to withstand hail or light debris.

Digital pulse width modulated (PWM) solar controller, with Bluetooth® Wireless Technology, regulates the battery charging system and prevents over-charging and damage to the battery. Simple push button operation. 5 year warranty

Includes everything for a simple installation: all mounting hardware and 50' of MC4 quick-connect cables.

OVERLANDER / RETREAT

Your battery will power lights, fans and other DC appliances. Solar will help to ensure a healthy battery charge and extend the life up to 50%! Save the cost of shore power and battery replacements.

- The OVERLANDER is our largest, most popular single panel 12 volt kit, providing 190 watts and 9.3 amps of solar power.
- The RETREAT is our most efficient solar panel providing 100 watts and 5.43 amps – best square ft / watt
- Maintenance free and designed to provide decades of uninterrupted power
- 25-year limited solar panel output power warranty
- Easy to install, flush mountable 30 amp digital controller
- Expandable (allows for 570 watts of solar with the same controller)



EXPANSION KITS: OVERLANDER-E / RETREAT-E

Expand your solar as your power needs grow! Our GP-PWM-30-UL solar controller with Bluetooth® Wireless Technology can accept approximately 600 watts (30 amps) of solar power.

- Includes 1 solar module, mounting hardware and MC4 branch connectors



MC4 branch connectors



Download our free Go Power! Connect app, the ULTIMATE gas gauge for your battery.



LARGE SOLAR KIT SPECIFICATIONS

Solar Panel

SPECIFICATIONS	RETREAT / RETREAT-E	OVERLANDER / OVERLANDER-E
Rated Power (Pm)	100W	190 W
Maximum Power Voltage (Vmp)	18.4V	19.11V
Maximum Power Current (Imp)	5.43A	9.3A
Open Circuit Voltage (Voc)	22.6V	22.78A
Short Circuit Current (Isc)	5.75A	9.32A
Cell type	Monocrystalline	Monocrystalline
Max System Voltage	1000VDC	
Weight	17.6 lb (8kg)	26.4 lb (12 kg)
Dimensions	47.09 x 21.46 x 1.38 in 1196 x 545 x 35 mm	59.1 x 26.3 x 1.58 in 1500 x 668 x 40 mm
Frame type / material	Clear anodized aluminum frame	
Warranty (Limited Power Output)*	25 year	

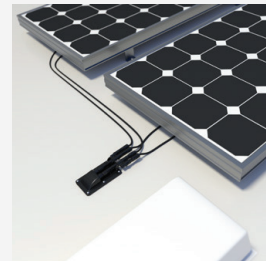
*see website for full warranty details

Digital Solar Controller

SPECIFICATIONS	GP-PWM-30-UL
Nominal System Voltage	12V
Max Solar Array Current	30A
Battery Voltage Range	6V – 15.5V
Max. Solar panel input voltage	28V
Operating Consumption	6mA
Display Consumption	10mA
Temp. Compensation	-13mV/°F (- 24mV/°C)
Operating Temperature	- 40 to 185°F (-40 to 85°C)
Humidity	99% N.C.
Dimensions (H x W x D)	4.25 x 7.48 x 1.38 in (108 x 190 x 35 mm)
Weight	10.6 oz (300 g)
Maximum Wire Gauge	#4 AWG
Warranty	5 years
Protection	Battery Reverse Polarity, Solar Array Reverse Polarity, Over temperature, Over Current
Connectivity	Bluetooth®

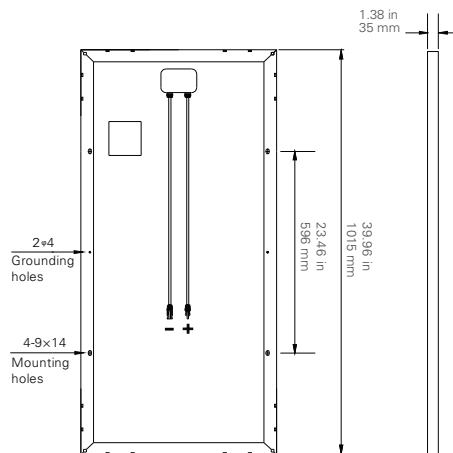
OPTIONAL CABLE ENTRY PLATE

Use our Cable Entry Plate with a Go Power! Solar Kit to run your wire where you want and reduce exposed cables on the roof.

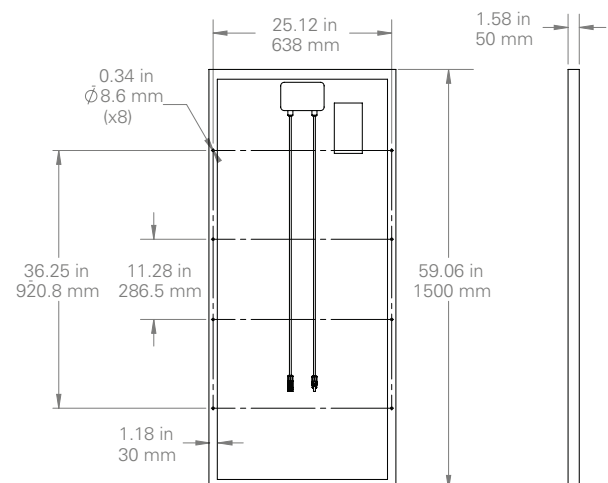


GP-CEP

- ➔ Built for easy expansion
- ➔ Cuts installation time
- ➔ Protects cable connections
- ➔ Clean and tidy wire configuration
- ➔ Eliminates possibility of leaks
- ➔ Connects with industry standard MC4 cables (included in Go Power! kits)
- ➔ 5 year warranty



100 watt panel



190 watt panel

Specifications may be subject to change.
Specifications subject to local environmental conditions.
"Go Power!" and Go Power! logo are trademarks.