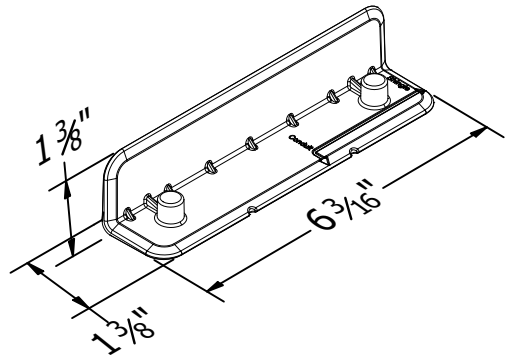
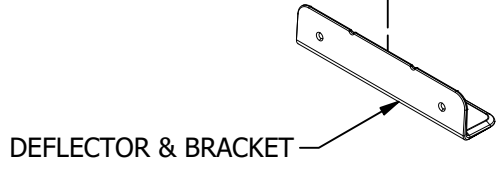
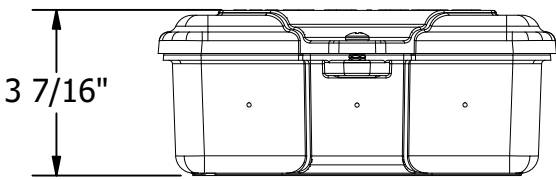
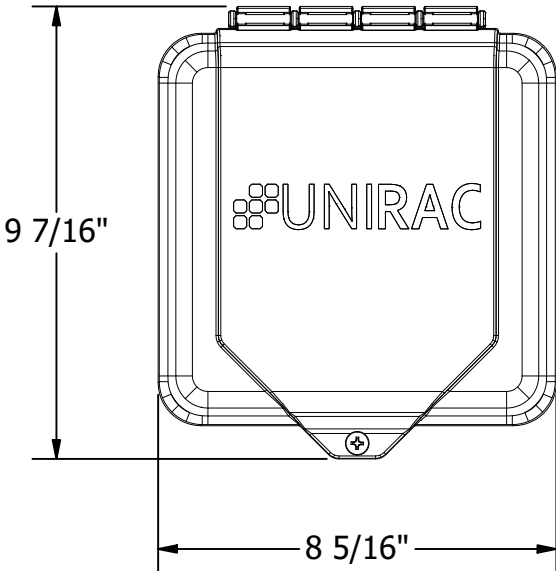
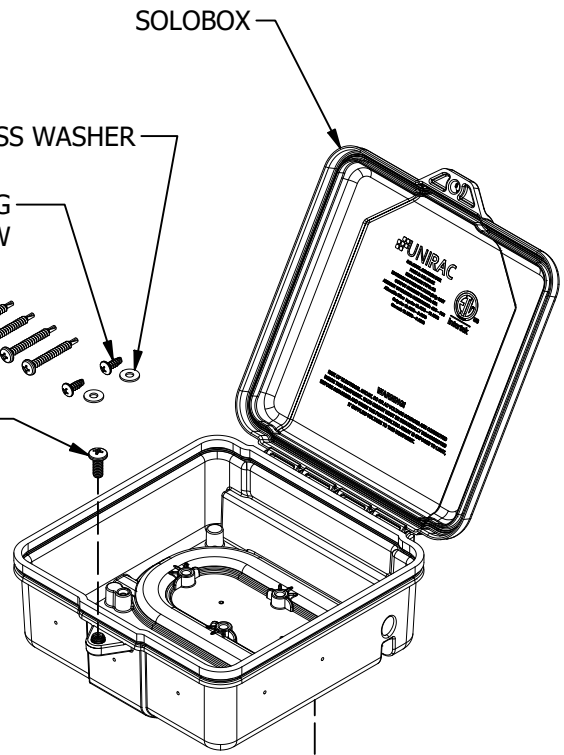


PART # TABLE	
P/N	DESCRIPTION
SOLOBOX	SOLOBOX JUNCTION BOX

- 2X - #10 x 0.500 OD FLAT SS WASHER
- 2X - #10 x 0.5 THREAD FORMING PHILLIPS ROUND HEAD SS SCREW
- 4X - #12 x 1.75 SELF-DRILLING PHILLIPS ROUND HEAD SS SCREW
- 0.25-20 x .625 PAN HEAD PHILLIPS SS SCREW



DEFLECTOR & BRACKET

1411 BROADWAY BLVD. NE
ALBUQUERQUE, NM 87102 USA
PHONE: 505.242.6411
WWW.UNIRAC.COM

PRODUCT LINE:	E-BOSS
DRAWING TYPE:	PARTS ASSEMBLY
DESCRIPTION:	SOLOBOX
REVISION DATE:	6/30/2020

DRAWING NOT TO SCALE
ALL DIMENSIONS ARE
NOMINAL

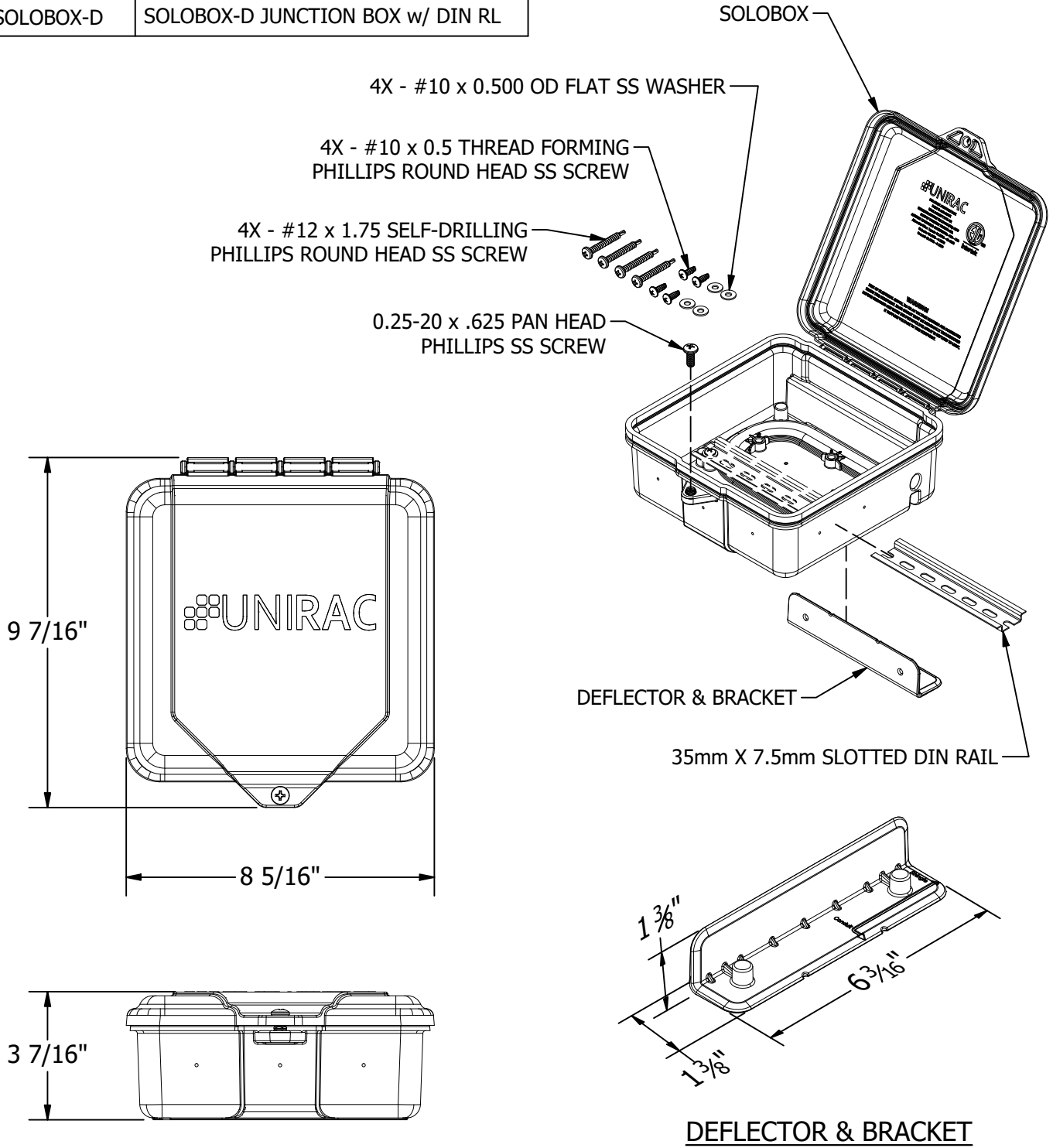
PRODUCT PROTECTED BY
ONE OR MORE US PATENTS

LEGAL NOTICE

EB-A03

SHEET

PART # TABLE	
P/N	DESCRIPTION
SOLOBOX-D	SOLOBOX-D JUNCTION BOX w/ DIN RL



UNIRAC
 1411 BROADWAY BLVD. NE
 ALBUQUERQUE, NM 87102 USA
 PHONE: 505.242.6411
 WWW.UNIRAC.COM

PRODUCT LINE:	E-BOSS
DRAWING TYPE:	PARTS ASSEMBLY
DESCRIPTION:	SOLOBOX-D
REVISION DATE:	6/30/2020

DRAWING NOT TO SCALE
 ALL DIMENSIONS ARE
 NOMINAL

PRODUCT PROTECTED BY
 ONE OR MORE US PATENTS

LEGAL NOTICE

EB-A04

SHEET