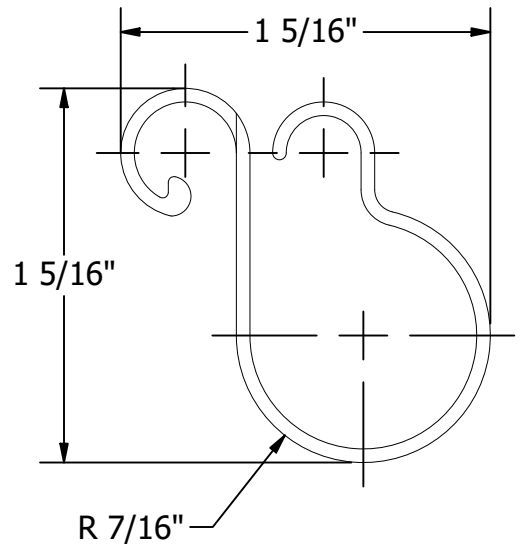
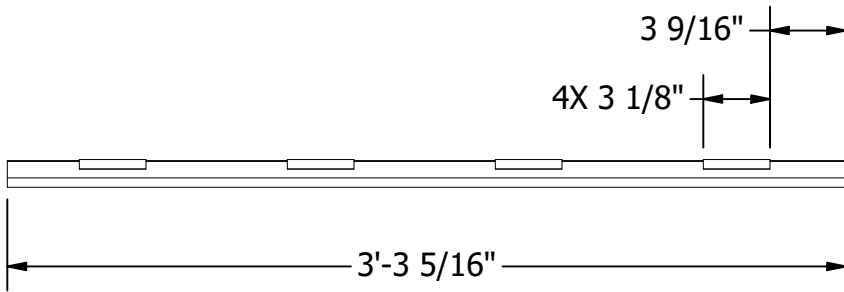
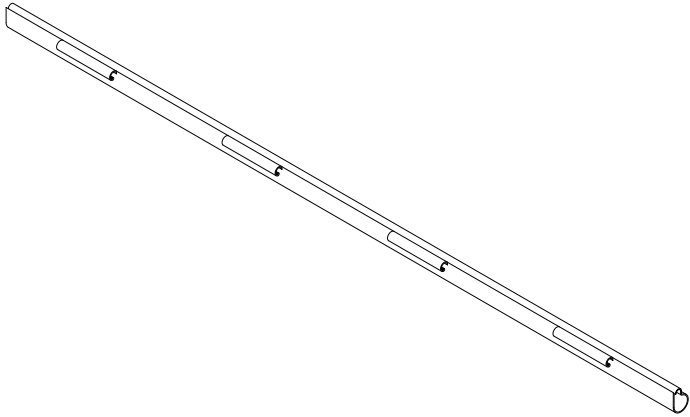


PART # TABLE	
P/N	DESCRIPTION
00802RT	E-BOSS RAIL TRAY



UNIRAC[®]
 1411 BROADWAY BLVD. NE
 ALBUQUERQUE, NM 87102 USA
 PHONE: 505.242.6411
 WWW.UNIRAC.COM

PRODUCT LINE:	E-BOSS
DRAWING TYPE:	PART DETAIL
DESCRIPTION:	RAIL TRAY
REVISION DATE:	7/1/2019

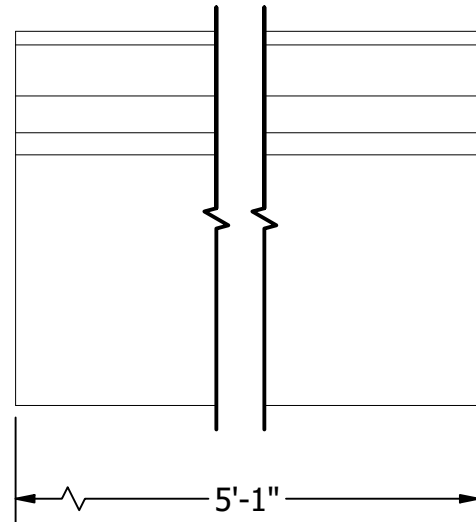
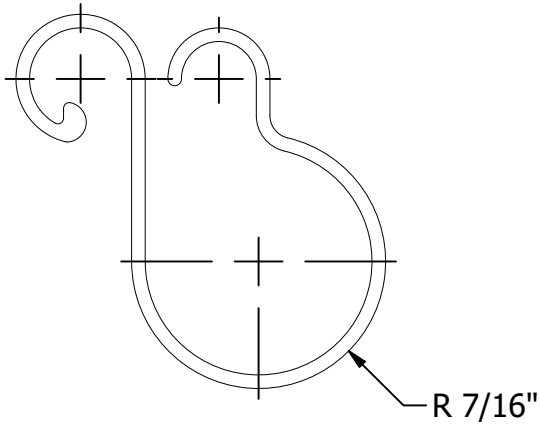
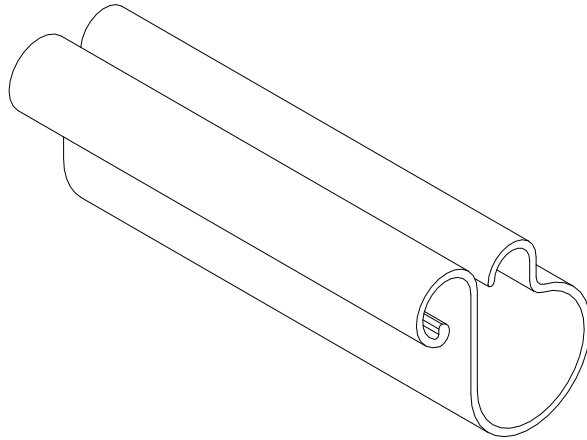
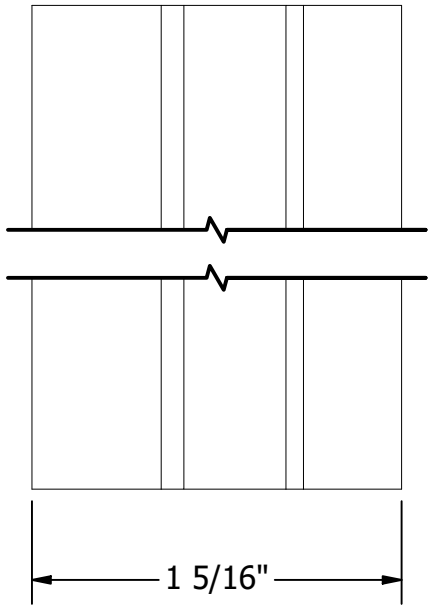
DRAWING NOT TO SCALE
 ALL DIMENSIONS ARE
 NOMINAL

PRODUCT PROTECTED BY
 ONE OR MORE US PATENTS

LEGAL NOTICE

EB-P02

SHEET



PART # TABLE	
P/N	DESCRIPTION
00802BT	E-BOSS BRIDGE TRAY



1411 BROADWAY BLVD. NE
 ALBUQUERQUE, NM 87102 USA
 PHONE: 505.242.6411
 WWW.UNIRAC.COM

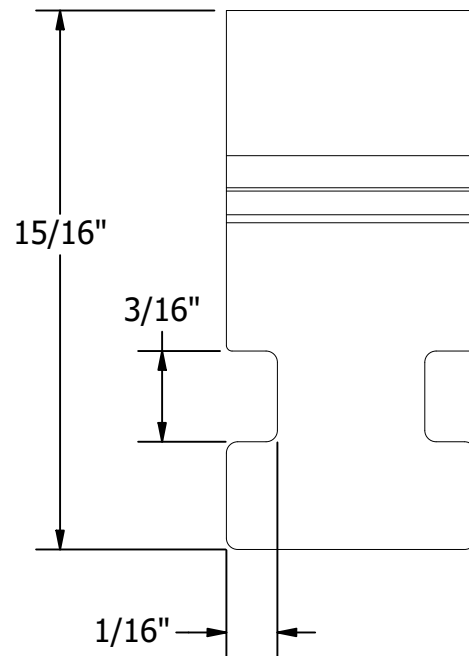
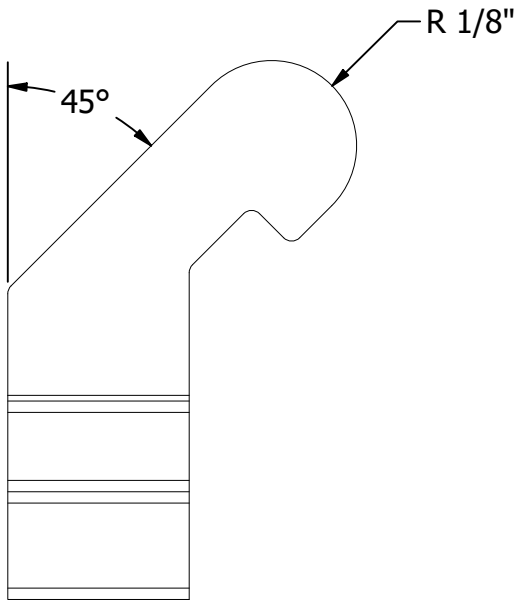
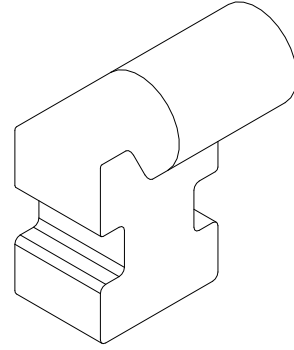
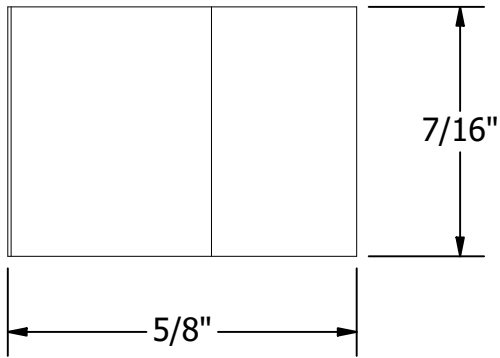
PRODUCT LINE:	E-BOSS
DRAWING TYPE:	PART DETAIL
DESCRIPTION:	BRIDGE TRAY
REVISION DATE:	7/1/2019

DRAWING NOT TO SCALE
 ALL DIMENSIONS ARE
 NOMINAL

PRODUCT PROTECTED BY
 ONE OR MORE US PATENTS
 LEGAL NOTICE

EB-P03

SHEET



PART # TABLE	
P/N	DESCRIPTION
00802BC	E-BOSS BRIDGE CLIP



1411 BROADWAY BLVD. NE
 ALBUQUERQUE, NM 87102 USA
 PHONE: 505.242.6411
 WWW.UNIRAC.COM

PRODUCT LINE:	E-BOSS
DRAWING TYPE:	PART DETAIL
DESCRIPTION:	BRIDGE CLIP
REVISION DATE:	7/1/2019

DRAWING NOT TO SCALE
 ALL DIMENSIONS ARE
 NOMINAL

PRODUCT PROTECTED BY
 ONE OR MORE US PATENTS

LEGAL NOTICE

EB-P04

SHEET