

DESCRIPTION:
SNAPNRACK, TDS, TOPSPEED, MOUNT

DOC NUMBER:
SNR-DC-30008

SnapNrack®

PART NUMBER(S):
242-10005

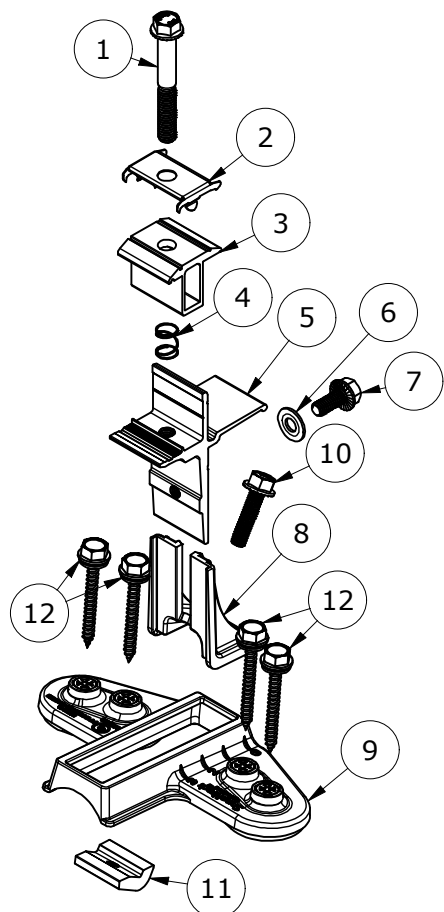
DRAWN BY:
H.WULFEKOETTER

SUNRUN INSTALLATION SERVICES INC.

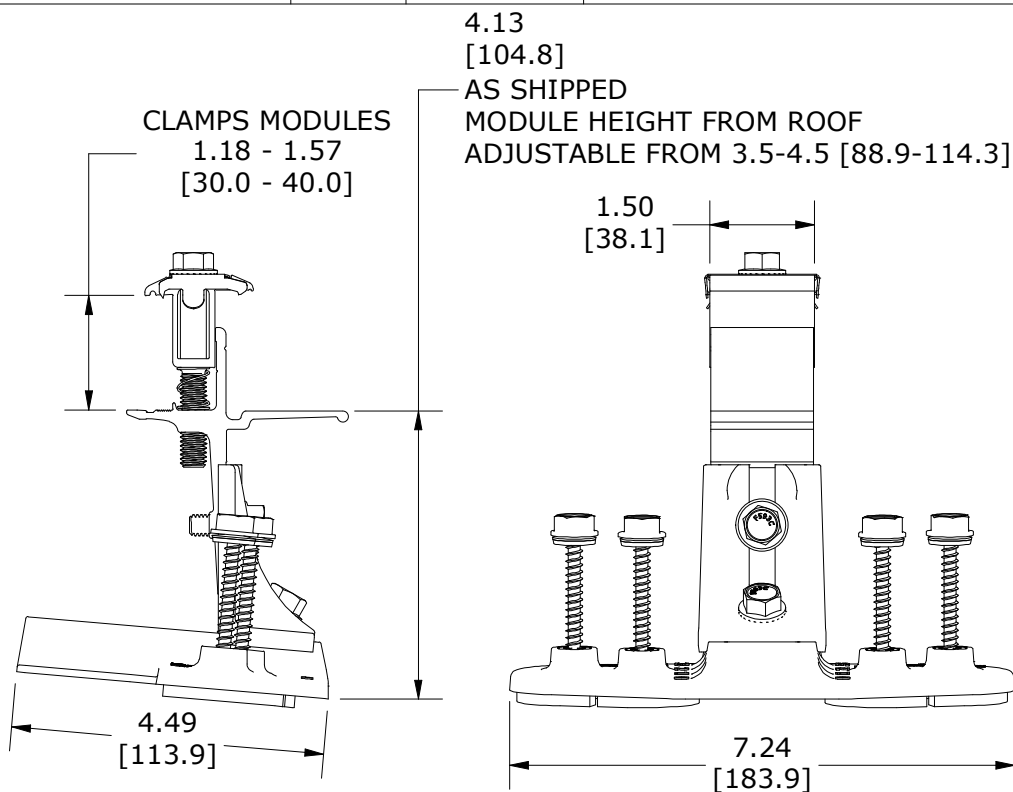
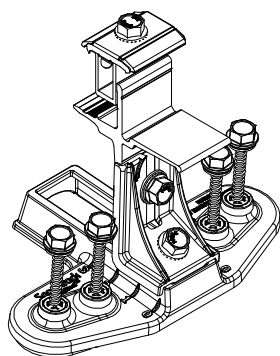
UNITS: IN, LB, DEG [MM, KG, DEG] SHEET: 1:1

REV: **B** DATE: 1/24/2023

225 BUSH STREET, SUITE 1400 • SAN FRANCISCO, CA 94104 USA
PHONE (877) 732-2860 • CONTACT@SNAPNRACK.COM
THE INFORMATION IN THIS DRAWING IS CONFIDENTIAL AND PROPRIETARY. ANY REPRODUCTION, DISCLOSURE, OR USE THEREOF IS PROHIBITED WITHOUT THE WRITTEN CONSENT OF SUNRUN SOUTH LLC.



EXPLODED



PARTS LIST

ITEM	QTY	DESCRIPTION
1	1	BOLT, FLANGE, SERRATED, 3/8IN-16 X 2-3/4IN, 1/2IN TRIM HEAD, 1.2IN THREAD, BLACK, SS
2	1	SNAPNRACK, RL UNIVERSAL, BONDING CLIP
3	1	SNAPNRACK, RL UNIVERSAL, MOUNT TOP, BLACK
4	1	SNAPNRACK, RL UNIVERSAL, MOUNT SPRING, SS
5	1	SNAPNRACK, MODULE CLAMP, TOWER, ROCK-IN
6	1	5-16IN X 3-4IN SS FLAT WASHER
7	1	BOLT, FLANGE, 5-16IN-18 X 3-4IN, CLEAR, SS
8	1	SNAPNRACK, ANGLE BRKT, 90 DEG, 1IN SLOT, 25 DEG FASTENER
9	1	SNAPNRACK, BASE, COMP ROOF, DECK MOUNT, SPEEDSEAL
10	1	BOLT, FLANGED HEX, 5-16IN-18 X 1-1-4IN, SS
11	1	SNAPNRACK, CHANNEL NUT, 5-16IN-18, 25 DEG FASTENER
12	4	SNAPNRACK, SEALING WASHER WOOD SCREW, #14 X 2-1-4IN, 1-2IN HEX HEAD, SS

MATERIALS: ALUMINIUM, STAINLESS STEEL

DESIGN LOAD (LBS): 210 LBF UP, 320 LBF DOWN, 162 LBF SIDE

ULTIMATE LOAD (LBS): 630 LBF UP, 960 LBF DOWN, 486 LBF SIDE

TORQUE SPECIFICATION: SEE INSTALLATION MANUAL FT-LBS

CERTIFICATION: UL2703

WEIGHT (LBS): 1.10