

DESCRIPTION:
SNAPNRACK, TDS, COMP FLASH TRACK KIT

DOC NUMBER:
 SNR-DC-01337

SnapNrack®

PART NUMBER(S):
 242-92266, 232-01371, 232-01375, 232-01376,
 232-01377

DRAWN BY:
 H.WULFEKOETTER

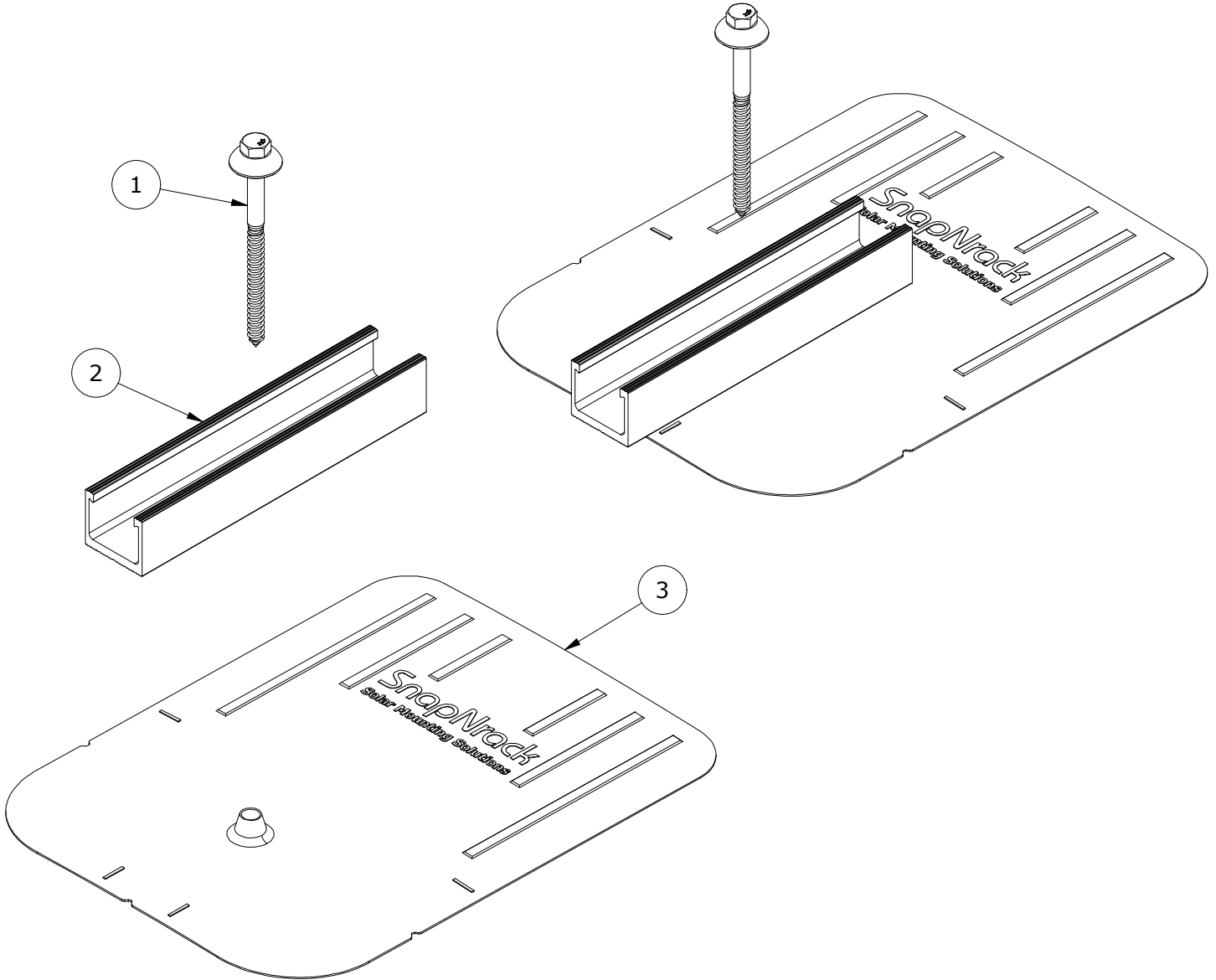
SUNRUN INSTALLATION SERVICES INC.

REV: **C** DATE:
 1/19/2023

225 BUSH STREET, SUITE 1400 • SAN FRANCISCO, CA 94104 USA
 PHONE (877) 732-2860 • CONTACT@SNAPNRACK.COM

THE INFORMATION IN THIS DRAWING IS CONFIDENTIAL AND PROPRIETARY. ANY REPRODUCTION, DISCLOSURE, OR USE THEREOF IS PROHIBITED WITHOUT THE WRITTEN CONSENT OF SUNRUN SOUTH LLC.

UNITS: IN, LB, DEG [MM, KG, DEG] SHEET: 1:2



PARTS LIST

ITEM	QTY	PART NUMBER	DESCRIPTION
1	1	242-92266	SNAPNRACK, UMBRELLA LAG, TYPE 3, 4IN, SS
2	1	232-01371	SNAPNRACK, FLASH TRACK PRC, CONE HOLE, 7-1/2IN, MILL
3	1	232-01375, 232-01376, 232-01377	SNAPNRACK, COMP FLASHING, 9IN X 12IN, SILVER / BLACK

MATERIALS:

DESIGN LOAD (LBS):	306 UP, 372 DOWN, 253 SIDE (LANDSCAPE)
ULTIMATE LOAD (LBS):	N/A
TORQUE SPECIFICATION:	N/A FT-LBS
CERTIFICATION:	UL 2703, FILE E359313
WEIGHT (LBS):	0.83-1.06

