

DESCRIPTION:

SNAPNRACK, ULTRA RAIL END CLAMP

DRAWN BY:

mwatkins

REVISION:

A

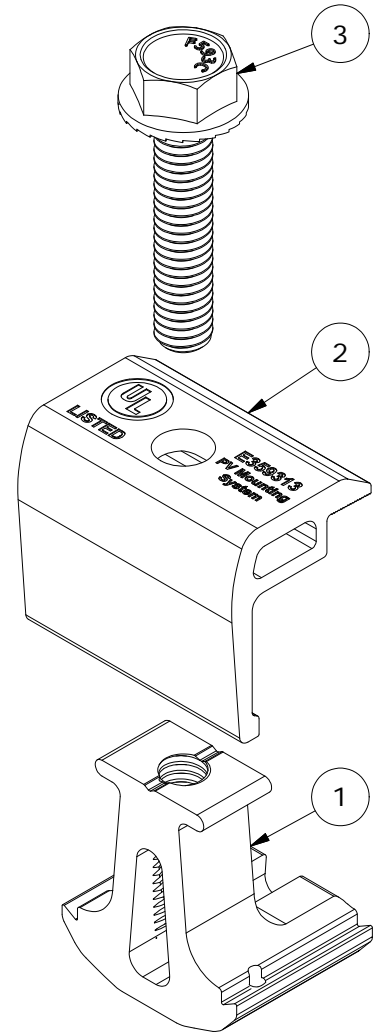
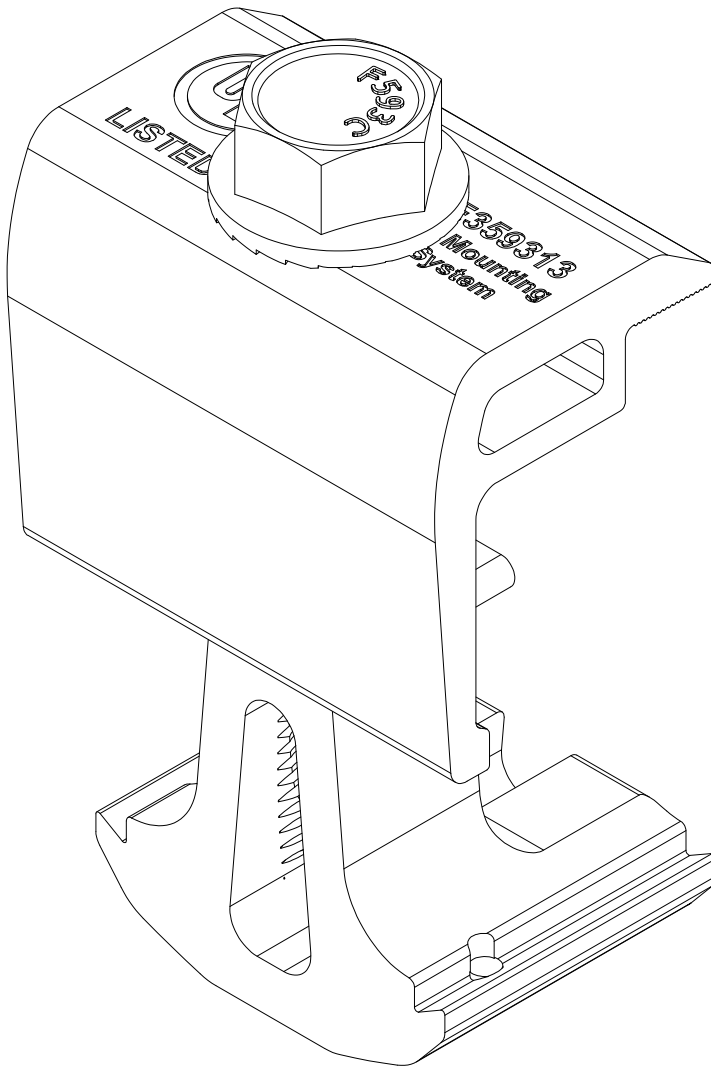
SnapNrack™
Solar Mounting Solutions

PART NUMBER(S):

242-02072, 242-02073

595 MARKET STREET, 29TH FLOOR • SAN FRANCISCO, CA 94105 USA
PHONE (415) 580-6900 • FAX (415) 580-6902

THE INFORMATION IN THIS DRAWING IS CONFIDENTIAL AND PROPRIETARY. ANY REPRODUCTION, DISCLOSURE, OR USE THEREOF IS PROHIBITED WITHOUT THE WRITTEN CONSENT OF SUNRUN SOUTH LLC.



PARTS LIST

ITEM	QTY	DESCRIPTION
1	1	SNAPNRACK, ULTRA RAIL END CLAMP, BASE
2	1	SNAPNRACK, ULTRA RAIL END CLAMP, TOP
3	1	BOLT, FLANGE SERRATED, 5/16IN-18 X 1-1/2IN, SS

NOTE:
CLAMPS FIT 30-46MM THICK MODULE FRAMES

MATERIALS:	6000 SERIES ALUMINUM, STAINLESS STEEL	OPTIONS:
DESIGN LOAD (LBS):	520	CLEAR / BLACK ANODIZED
ULTIMATE LOAD (LBS):	2000	
TORQUE SPECIFICATION:	16 LB-FT	
CERTIFICATION:	UL 2703, FILE E359313	
WEIGHT (LBS):	0.16	

DESCRIPTION:

SNAPNRACK, ULTRA RAIL END CLAMP

DRAWN BY:

mwatkins

REVISION:

A

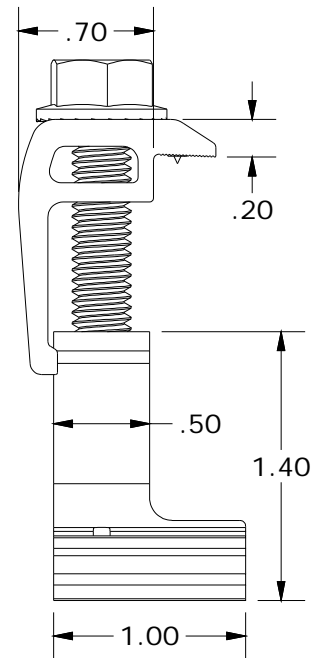
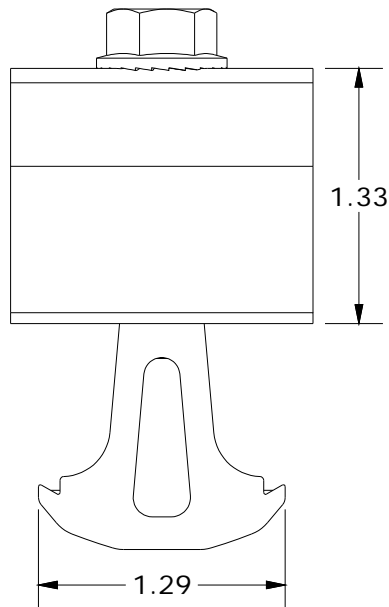
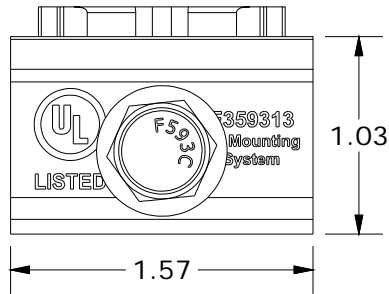
SnapNrack™
Solar Mounting Solutions

PART NUMBER(S):

242-02072, 242-02073

595 MARKET STREET, 29TH FLOOR • SAN FRANCISCO, CA 94105 USA
PHONE (415) 580-6900 • FAX (415) 580-6902

THE INFORMATION IN THIS DRAWING IS CONFIDENTIAL AND PROPRIETARY. ANY REPRODUCTION, DISCLOSURE, OR USE THEREOF IS PROHIBITED WITHOUT THE WRITTEN CONSENT OF SUNRUN SOUTH LLC.



ALL DIMENSIONS IN INCHES