

DESCRIPTION:
**SNAPRACK, RL UNIVERSAL, SPEEDSEAL™
 DECKTRACK**

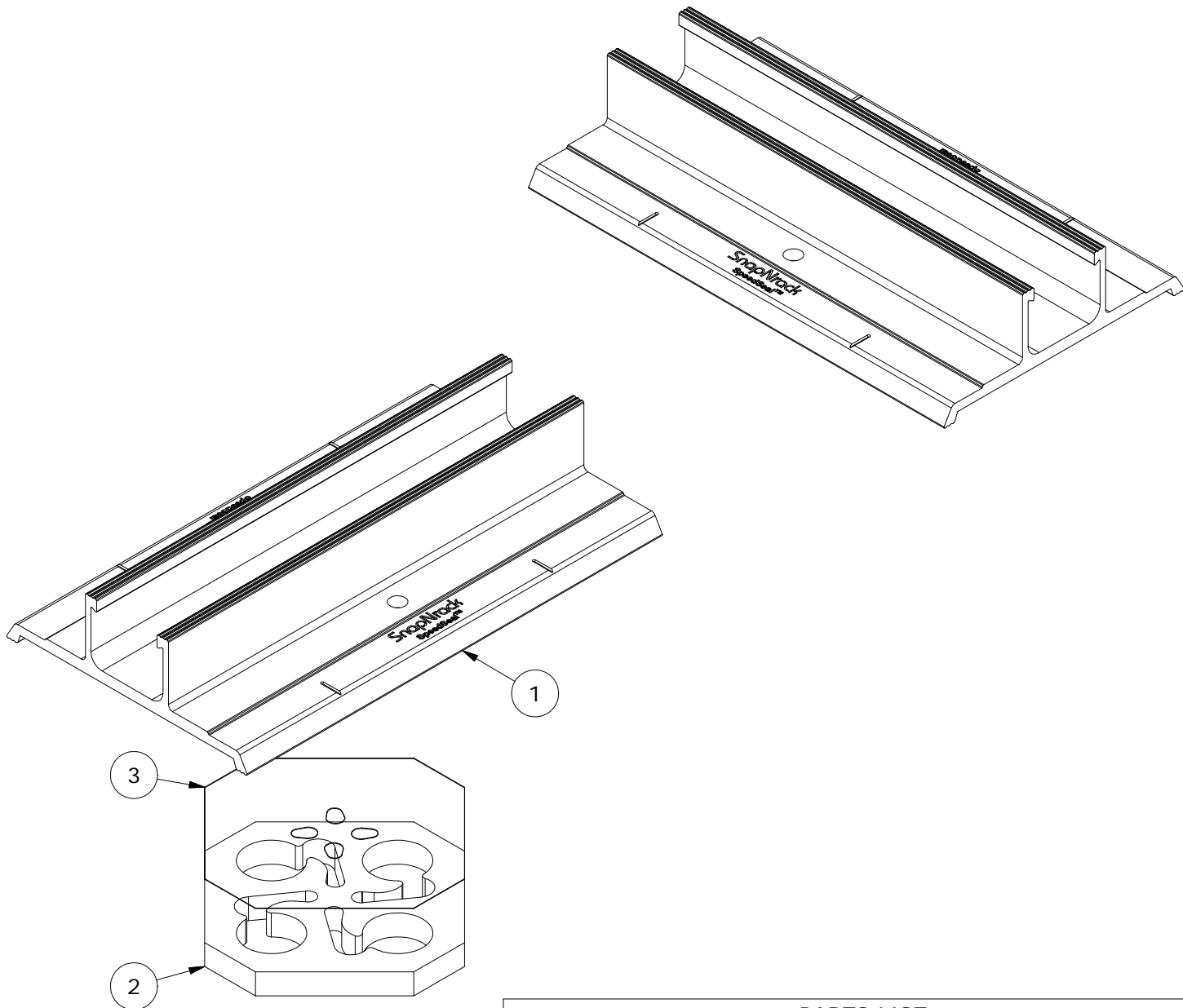
DRAWN BY:
 mwatkins



PART NUMBER(S):
 242-02171

REVISION:
A

595 MARKET STREET, 29TH FLOOR • SAN FRANCISCO, CA 94105 USA
 PHONE (415) 580-6900 • FAX (415) 580-6902
 THE INFORMATION IN THIS DRAWING IS CONFIDENTIAL AND PROPRIETARY. ANY
 REPRODUCTION, DISCLOSURE, OR USE THEREOF IS PROHIBITED WITHOUT THE
 WRITTEN CONSENT OF SUNRUN SOUTH LLC.



NOTE:
 CAN BE DECK-MOUNTED OR
 RAFTER-MOUNTED

PARTS LIST		
ITEM	QTY	DESCRIPTION
1	1	SNAPNRACK, SPEEDSEAL DECKTRACK, 7-1/2IN, MILL
2	1	SNAPNRACK, SPEEDSEAL DECKTRACK SEALANT DAM
3	1	SNAPNRACK, SPEEDSEAL DECKTRACK HOLE COVER

MATERIALS:	6000 SERIES ALUMINUM, PET PLASTIC, FOAM
DESIGN LOAD (LBS):	SEE STRUCTURAL ENGINEERING
ULTIMATE LOAD (LBS):	SEE STRUCTURAL ENGINEERING
TORQUE SPECIFICATION:	N/A LB-FT
CERTIFICATION:	UL 2703, FILE E359313; WIND-DRIVEN RAIN TEST FROM SUBJECT UL 2582
WEIGHT (LBS):	0.84

DESCRIPTION:
**SNAPRACK, RL UNIVERSAL, SPEEDSEAL™
 DECKTRACK**

PART NUMBER(S):
242-02171

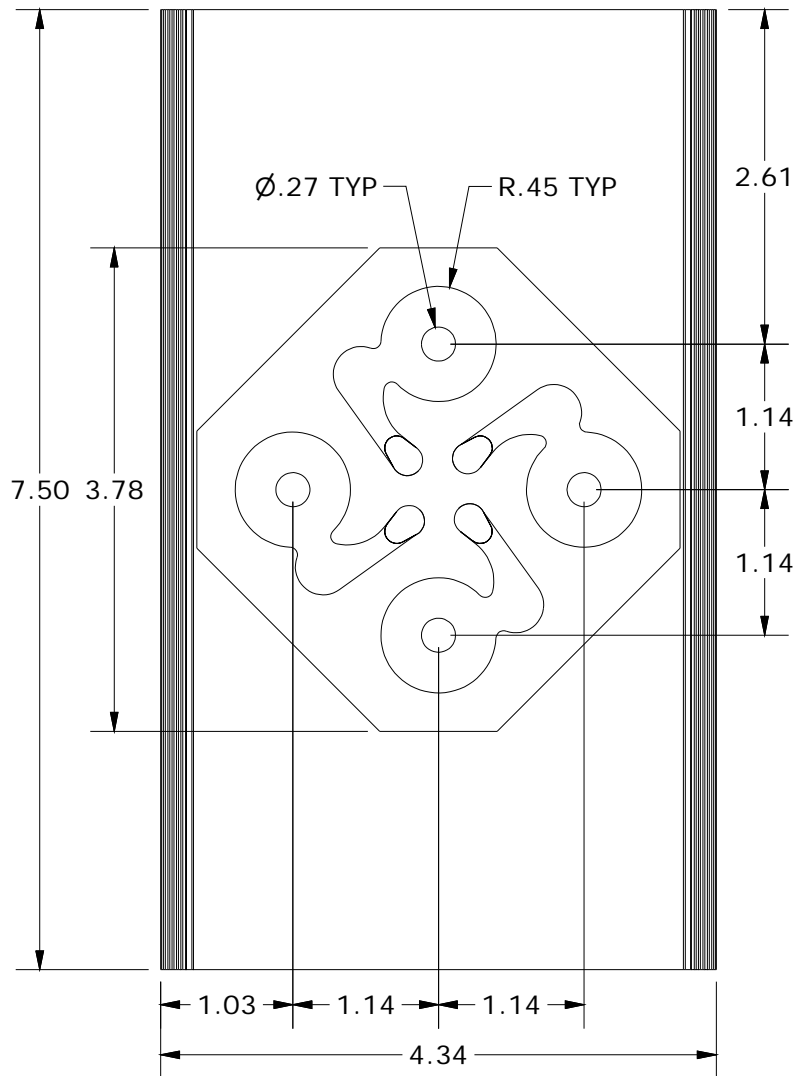
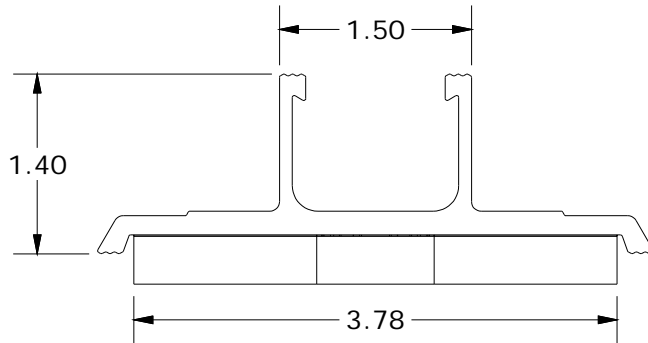
DRAWN BY:
 mwatkins

REVISION:
A

SnapNrack®

595 MARKET STREET, 29TH FLOOR • SAN FRANCISCO, CA 94105 USA
 PHONE (415) 580-6900 • FAX (415) 580-6902

THE INFORMATION IN THIS DRAWING IS CONFIDENTIAL AND PROPRIETARY. ANY REPRODUCTION, DISCLOSURE, OR USE THEREOF IS PROHIBITED WITHOUT THE WRITTEN CONSENT OF SUNRUN SOUTH LLC.



ALL DIMENSIONS IN INCHES