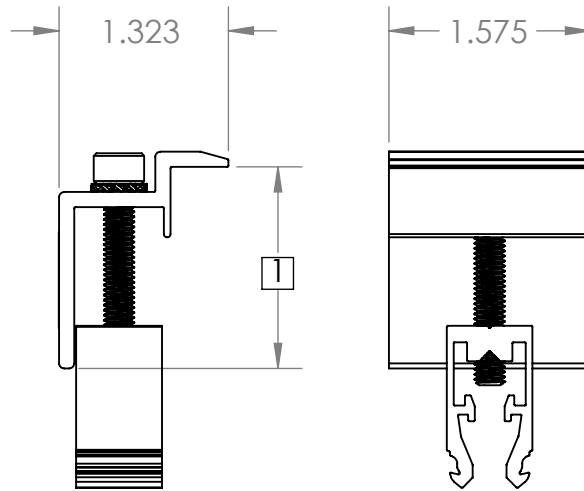


SCALE 1:1



ITEM NO.	DESCRIPTION	QTY.
1	QCLICK, 17MM, AL, MILL	1
2	FIXED END CLAMP, QRAIL, 40MM, X 40MM, AL, MILL	1
3	CAP SCREW, SOCKET HEAD, M6 X 1.0 X 40MM, DIN 912, A2-70 SS	1
4	WASHER, STAR, M6, 18-8 SS	1
5	STICKER, ETL, QRAIL, END CLAMP	1

TABLE A		
MILL PART #	BLACK PART #	MODULE SIZE
QMR-FEC31	QMR-FEC31 B	31MM
QMR-FEC32	QMR-FEC32 B	32MM
QMR-FEC33	QMR-FEC33 B	33MM
QMR-FEC35	QMR-FEC35 B	35MM
QMR-FEC38	QMR-FEC38 B	38MM
QMR-FEC40	QMR-FEC40 B	40MM
QMR-FEC42	QMR-FEC42 B	42MM
QMR-FEC45	QMR-FEC45 B	45MM
QMR-FEC46	QMR-FEC46 B	46MM
QMR-FEC50	QMR-FEC50 B	50MM

NOTES:

- 1 SEE TABLE A FOR AVAILABLE SIZES
- 2. ALL VERSIONS AVAILABLE IN MILL FINISH, AND BLACK FINISH

PROPRIETARY AND CONFIDENTIAL
 THE INFORMATION CONTAINED IN THIS DRAWING IS THE SOLE PROPERTY OF QUICK MOUNT PV. ANY REPRODUCTION IN PART OR AS A WHOLE WITHOUT THE WRITTEN PERMISSION OF QUICK MOUNT PV IS PROHIBITED. COPYRIGHT © 2016 QUICK MOUNT PV

DO NOT SCALE DRAWING

Quick Mount PV[®]

TITLE:
QMR-FEC: FIXED END CLAMP, QRAIL

UNLESS OTHERWISE SPECIFIED: DIMENSIONS ARE IN INCHES TOLERANCES: FRACTIONAL ± 1/8 TWO PLACE DECIMAL ±.19 THREE PLACE DECIMAL ±.094	SIZE A	DRAWN BY: RAD	REV 2
	SCALE 2: 3	DATE: 4/27/2018	WEIGHT: 0.10

SHEET 1 OF 1