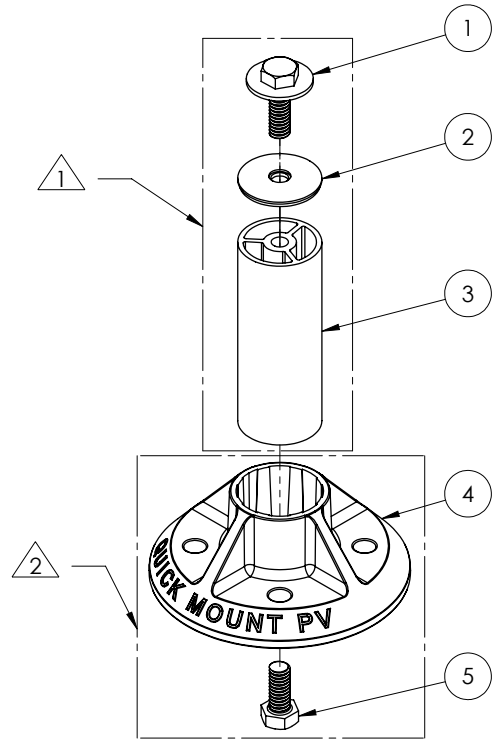
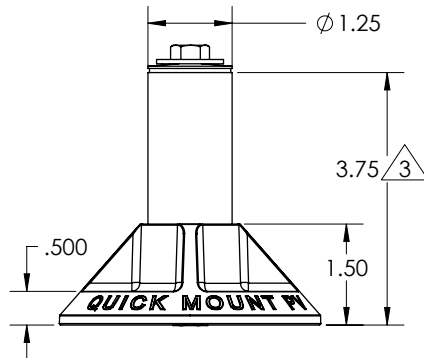
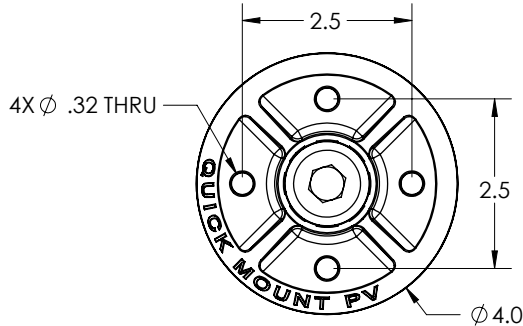


# QBase Mount

Formerly known as QMLSH / QMQDM

ITEM NO.	DESCRIPTION	QTY.
1	CAP SCREW, 5/16"-18 X 1" UNC-2A, NYLON PATCH, W/ CAPTIVE WASHER, 1"OD	1
2	WASHER, SEALING, 5/16" ID X 1-1/4" OD, EPDM BONDED SS	1
3	POST, 1-1/4" OD X 3-1/4", 6063-T5/6063-T6, MILL	1
4	QBASE, 1-1/4" ID, FOR 5/16" HARDWARE	1
5	CAP SCREW, HEX HEAD, 5/16"-18 X 3/4" UNC-2A, GRADE 8, MAGNI	1



1 QM-QBP-XXX-M1 ASSEMBLY.  
POST LENGTHS AVAILABLE IN THE FOLLOWING SIZES:  
3.25", 4.5", 6.5", 8.5", 11.5",  
12.5", 14.5", 17.5"

2 QM-QBB-01-M1 ASSEMBLY.

3 OVERALL HEIGHT IS EQUAL TO POST LENGTH PLUS 1/2".  
EXAMPLE: 3.25" POST = 3.75" OVERALL HEIGHT.

Quick Mount PV®

TITLE:

QBASE MOUNT WITH QM-QBB & QM-QBP ASSEMBLIES

UNLESS OTHERWISE SPECIFIED:  
DIMENSIONS ARE IN INCHES  
TOLERANCES:  
FRACTIONAL ± 1/8  
TWO PLACE DECIMAL ± .19  
THREE PLACE DECIMAL ± .094

SIZE  
**A**

DRAWN BY: RAD  
DATE: 8/25/2020

REV  
A

SCALE: 1:2

WEIGHT: 0.73

SHEET 1 OF 1

PROPRIETARY AND CONFIDENTIAL  
THE INFORMATION CONTAINED IN THIS DRAWING IS THE SOLE PROPERTY OF QUICK MOUNT PV. ANY REPRODUCTION IN PART OR AS A WHOLE WITHOUT THE WRITTEN PERMISSION OF QUICK MOUNT PV IS PROHIBITED. COPYRIGHT © 2020 QUICK MOUNT PV

DO NOT SCALE DRAWING

5

4

3

2

1

**Quick Mount PV®**  
RESPECT THE ROOF

# QBase Mount Specifications

Quick Mount PV's QBase Mount is one of the strongest mechanically attached standard solar mounts available. The Aluminum post is warranted for 25 years. The QBase Mount is available in a variety of mount heights and works on a variety of roof types. QBase Mount can be fastened to the roof using two or four fasteners. **Fasteners and mounting location should be determined by the engineer of record and approved by the AHJ prior to use, and shall have adequate pullout strength and shear capacity.** It is the sole responsibility of the installer to verify compliance of this product with the AHJ prior to installation.

## Mount Heights

3.75"	12"
5"	13"
7"	15"
9"	18"

## Roof Types

Composition Shingle	Tile
Asphaltic Roofing	Shake
Single Ply Membranes	Slate
	Metal Shingle

## QBase Mount Flashing Guidelines

The QBase Mount is flashed to the roof using flashing and methods specific to the roof type. Quick Mount PV offers appropriate flashing solutions for most roof types, available [here](#). Flashing may also be obtained from third parties. For Quick Mount PV suggested flashing guidelines see below:

### Asphaltic Roofs

Including rolled composition roofing, modified bitumen roofing, and built up roofing (tar and gravel.)

For flashing details see Low Slope Flashing Guidelines. Other solutions for asphaltic type roofs include the Chemlinks E-Curb and Alsan's Liquid Flashing.

Links: [Low Slope Flashing Guidelines](#) | [Alsan Liquid Flashing](#) | [E-Curb](#)

### Single Ply Membrane Roofs

Including TPO, PVC, and EPDM (rubber roofing.)

For flashing details see Low Slope Flashing Guidelines. Other solutions for Single Ply Membrane roofs include the Chemlink's E-Curb and Alsan's Liquid Flashing.

Links: [Low Slope Flashing Guidelines](#)

### Composition Shingle Roofs

For flashing details see QBase Composition Mount Installation Instructions step 6-8.

Links: [QBase Composition Mount Install Instructions](#)

### Tile Roofs

For flashing details see QBase Universal Tile Mount Installation Instructions step 4-6 and Waterproofing Tile Roof Mount Sub-Flashing Three-Course Method.

Links: [QBase Universal Tile Mount Install Instructions](#) | [Waterproofing Tile Roof Mount Sub-Flashing Three-Course Method](#)

### Metal Shingle Roofs

For flashing details see Installing Quick Mount PV Products on Metal Shingle Roofs.

Links: [Installing Quick Mount PV Products on Metal Shingle Roofs](#)

### Shake and Slate Roofs

For flashing details see Shake, Slate and Metal Mount Installation Instructions for flashing guidelines.

Links: [QBase Shake, Slate and Metal Mount Installation Instructions](#)

# QBase Mount Installation Instructions

**WARNING:** Quick Mount PV products are NOT designed and should NOT be used to anchor fall protection equipment.

**Installation Tools Required:** Drill and impact gun with appropriate bit and driver for selected fasteners, 1 tube of sealant compatible with roofing materials, pencil, chalk line



Locate the desired mount placement using the QBase as a template, mark the required penetration points with either a pen or light drilling.



Drill pilot holes as required for selected fasteners. Make sure to hold the drill square to the roof. Fill the pilot holes with a sealant compatible with roofing materials.



Prior to attaching the base to the roof, place the grade-8 hex bolt in the bottom of the base and screw the post in. This is easier than adding the post after securing the base to the roof. Attach the base/post assembly to the roof with selected fasteners.



Attach the racking hardware to the top of the post. (Be sure to seal off the post from weather exposure with the sealing washer in the interim before racks are installed.) Flash the mount with a flashing appropriate to the roof type. (See previous page.)

Use racking hardware to attach L-foot to post. Torque to racking specifications if available or to 14.5 ft-lbs.

**LA RESEARCH REPORTS (LARR): Approved for use in the City of Los Angeles per LARR #26194**

