

Universal Adjustable Single Solar Panel Mount Installation Instructions



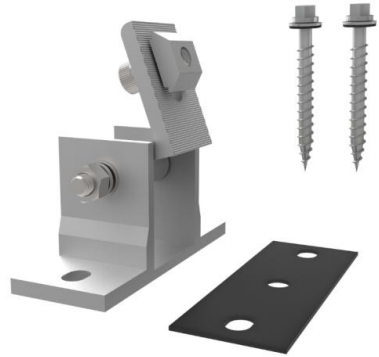
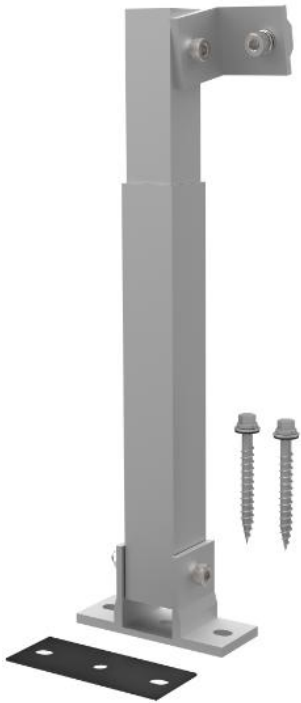
PVADJ

Components List

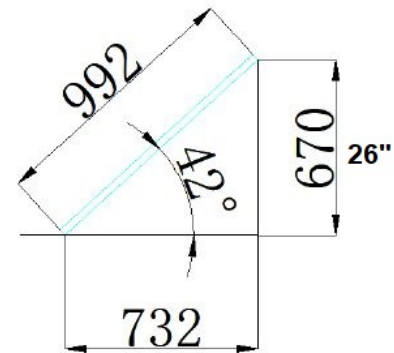
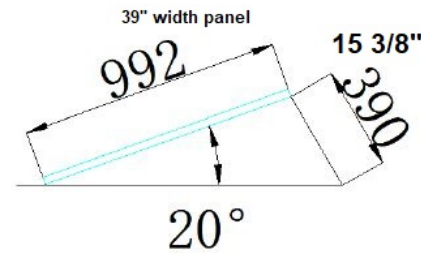
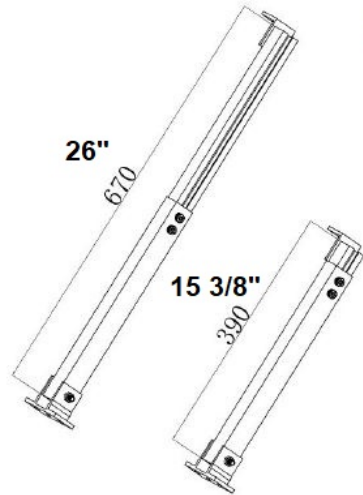
Rear Leg with Base
2 pcs

Front Leg
2 pcs

Screw
8 pcs



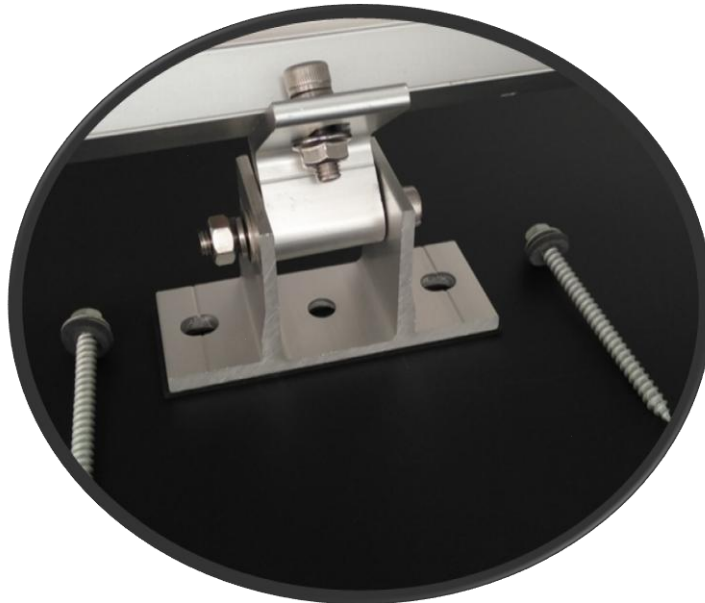
Example using
39" width panel



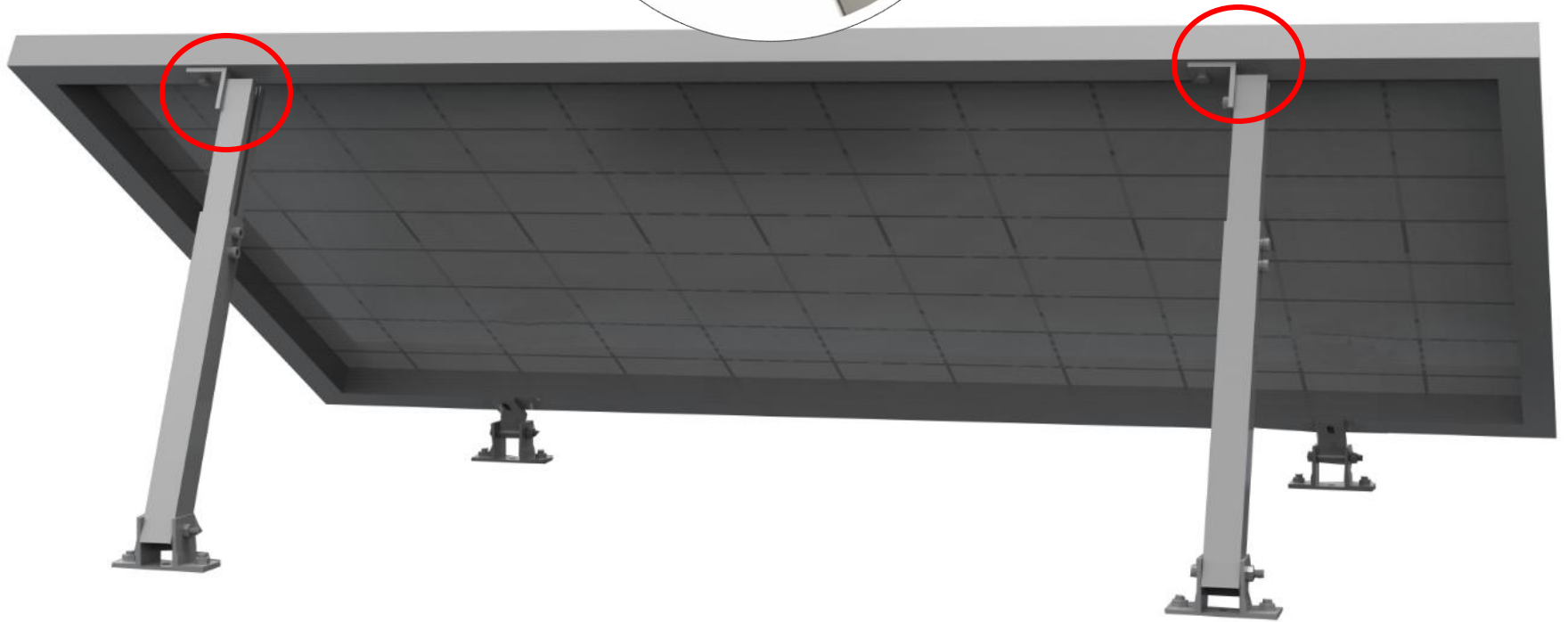
1. Attach the front bases to solar panel.



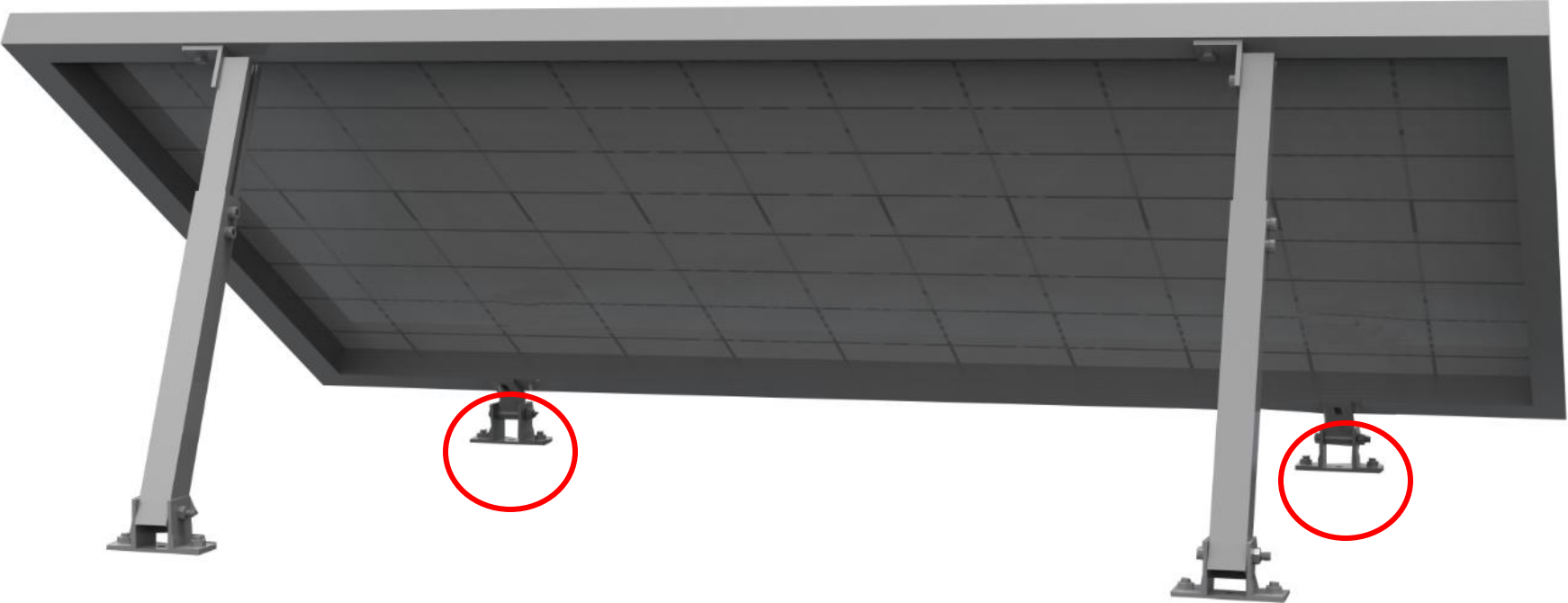
Attach using
predrilled holes on
panel



2. Connect the rear legs to solar panel.



3. Mount the front legs to a flat surface.



Use rubber pads
and bolts included.



4. Adjust the length and tilt of rear legs to desired angle, tighten side bolts and mount to flat surface.

