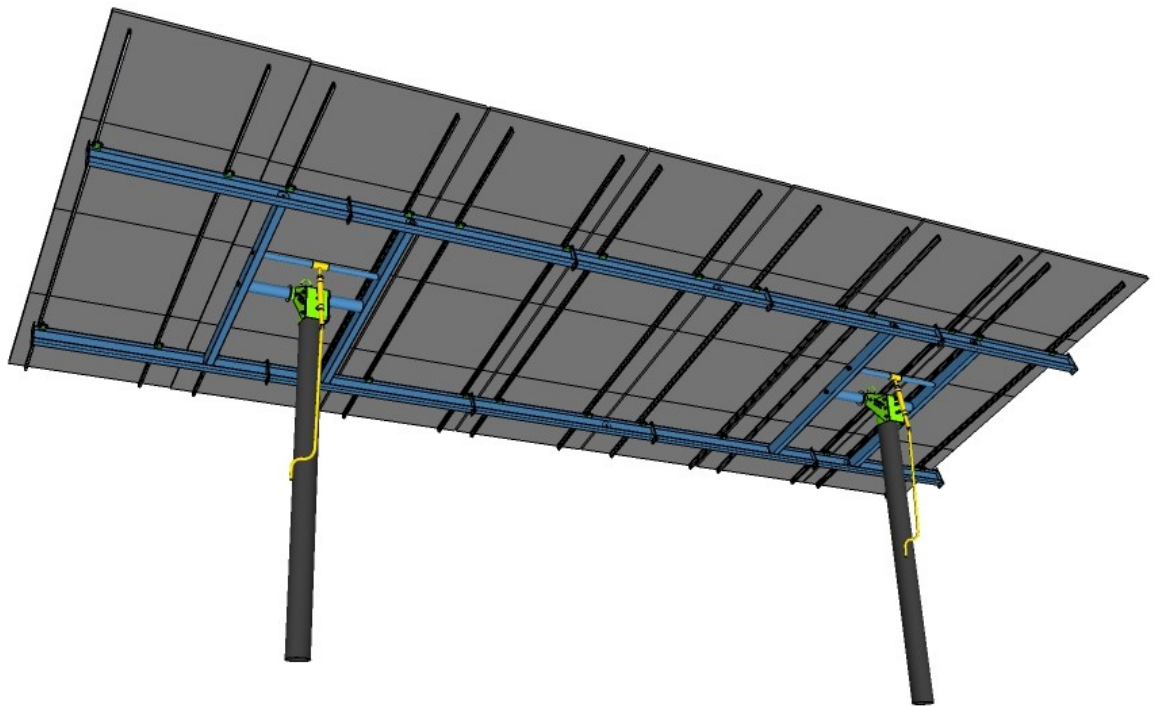




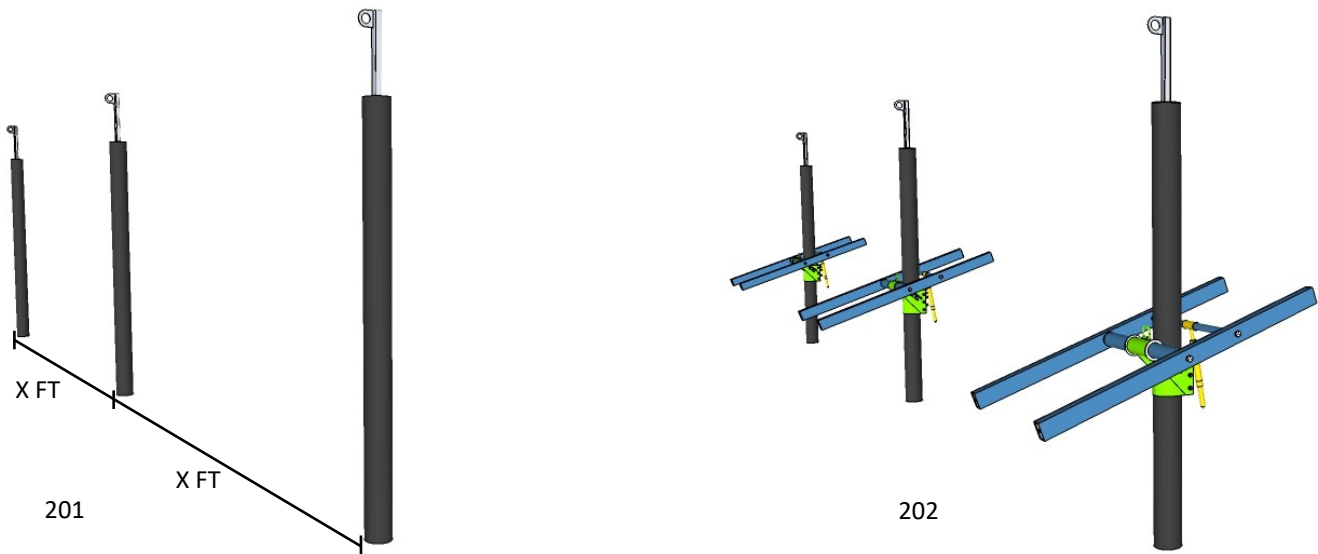
# Multi-Pole Addendum

## To the 8" Series Top of Pole Mount



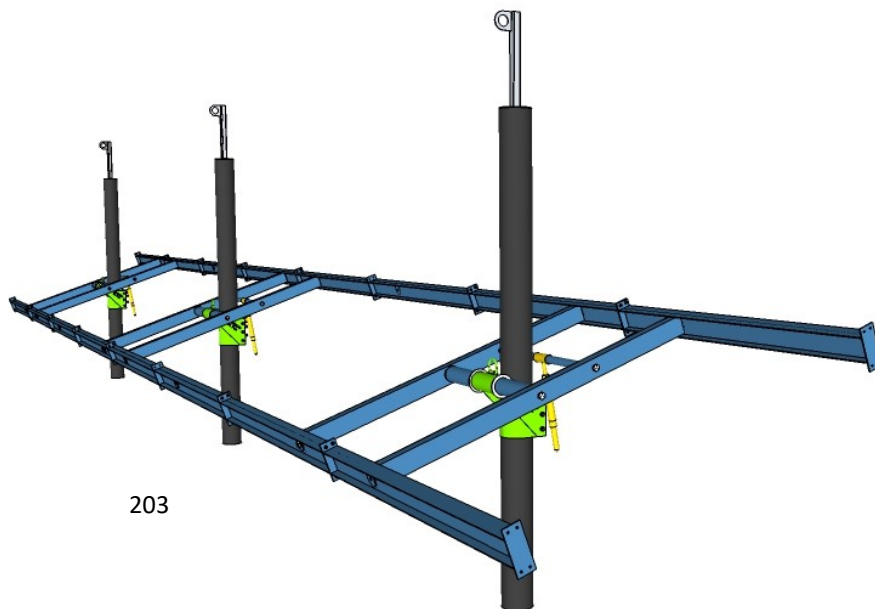
[www.mtsolar.us](http://www.mtsolar.us)  
844-MT-SOLAR (687-6527)

# MPM Installation Guide Addendum

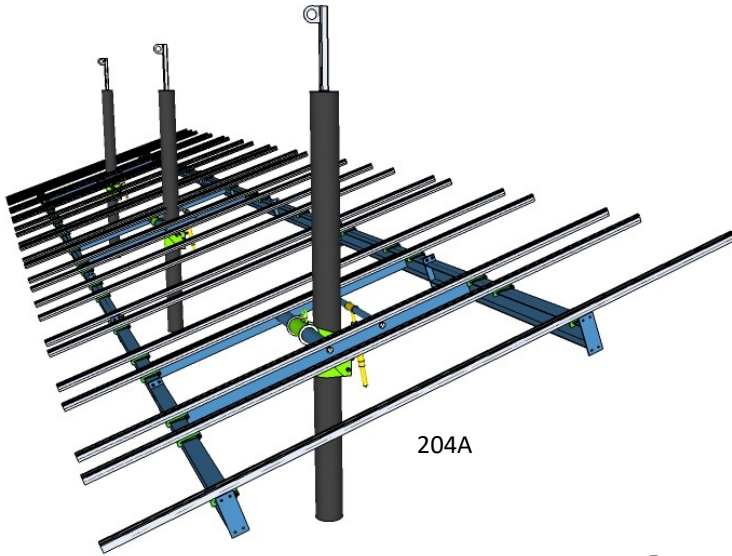


201: Install 8" Pipes with appropriate spacing, along an E/W line.

202: Follow steps 101—113 in the 8" Series Installation Guide to install steel framework on each pole.



203: Using the 1/2" x 1 1/4" bolts and 1/2" flange nuts, splice I-beam sections together and splice wings on the ends of the I-Beam sections. There will be 8 bolts per connection on the HD Series. The XHD Series utilizes 3/4" x 2" bolts instead. The Alignment Set Screws may be used to align the I-Beam Center piece to the I-Beam Wings, if necessary. Once I-beams are level, make sure all alignment set screws are touching the plate of the I-Beam wing and tighten the 1/2" bolts to 45 ft lbs.



204A

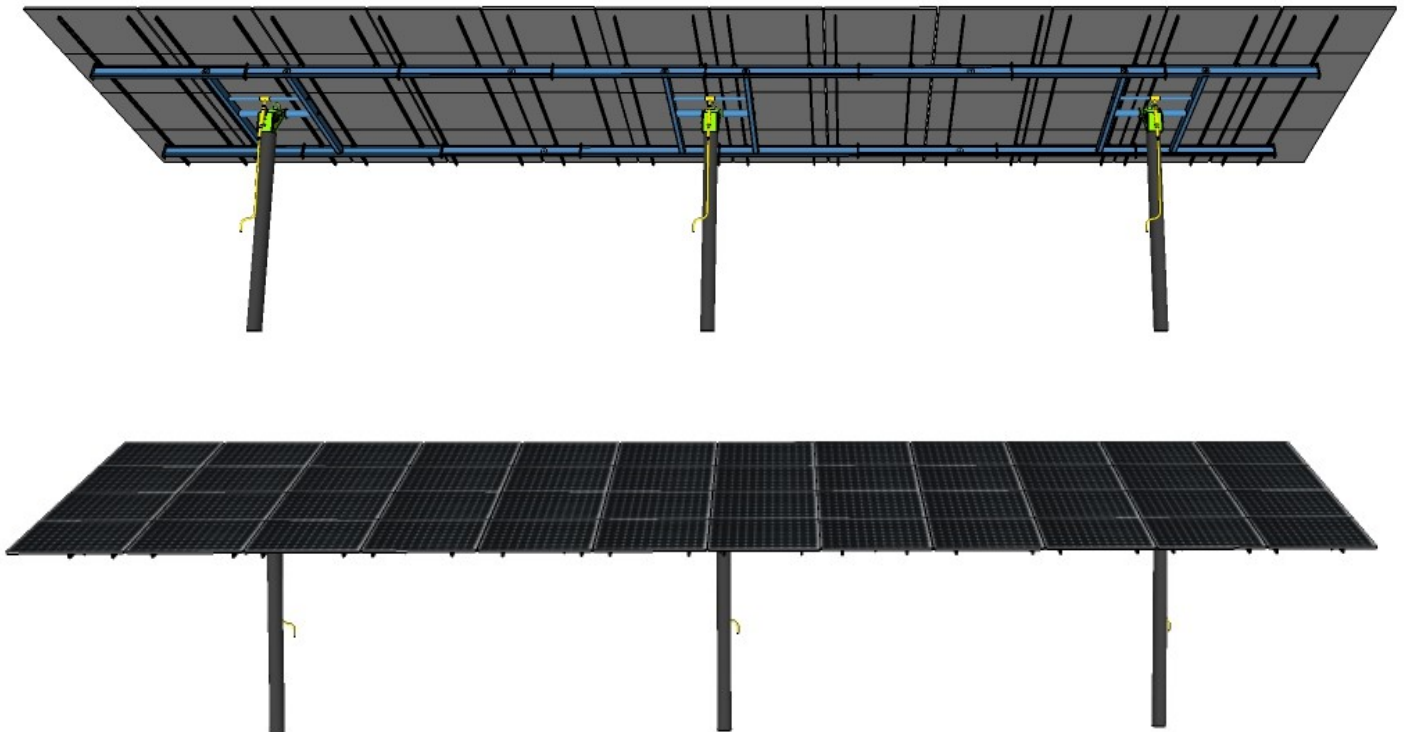
204: Follow steps 116—119 in the 8" Series Installation Guide to install rails and solar modules. Plan the layout of your rails according to your solar module configuration. Leave out the necessary modules to allow for the 8" pipe.

Raise and or tilt the array to facilitate module installation and/or module wiring and wire management as needed.



204B

205: Raise the array to the top of the poles and follow steps 122—125 in the 8" Series Installation Guide to complete the installation.



844-MT-SOLAR (687-6527)

[sales@mtsolar.us](mailto:sales@mtsolar.us)

[www.mtsolar.us](http://www.mtsolar.us)

54179 Herak Road

Charlo, MT 59824

