



GP-SWR-A Remote

Owner's Manual



Table of Contents

Features	2
Specification	3
Introduction	3
Installation	6
Repair and Return Information	7
Mounting the Remote	7

1.0 Features

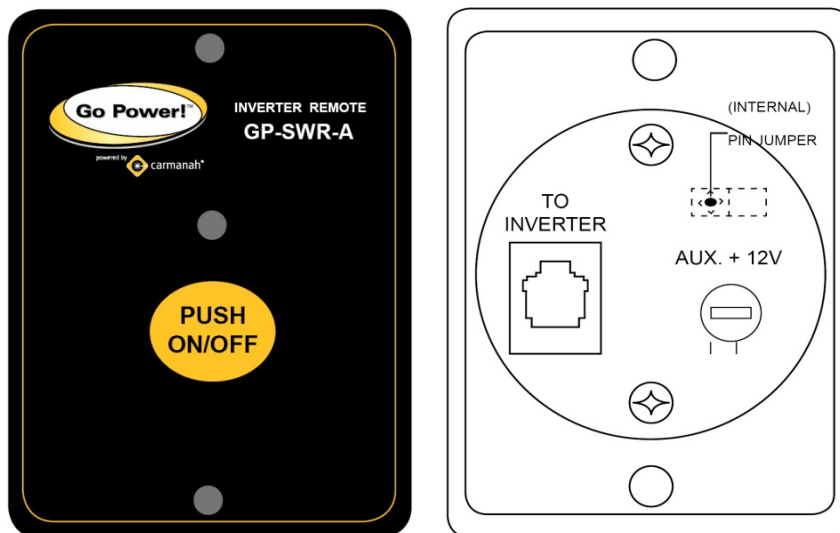
The SWR-A Remote allows the switching on and off of the inverter from a remote location. The remote displays the current status of the inverter through the following LED lighting patterns:

- Inverter is ON
- Ignition Lockout is activated
- Reverse Over-Ride Function (ROF) is activated

2.0 Specifications

SPECIFICATIONS	GP-SWR-A REMOTE
Input Voltage Range	10.5-60VDC (Based on the battery input voltage of the inverter—it can be used for 12V, 24V and 48V inverters)
Operating Temperature Range	0-40°C
Storage Temperature Range	-30°C – 70°C
Standby Current Draw	<40 mA
Applicable Models	GPSW-150/GPSW-300/GPSW-600/ GPSW-1500/GPSW-2000/GPSW-3000
Efficiency	85-90%

3.0 Introduction



This is an ON/OFF remote control. The LED indicator light is located above the ON/OFF button. A steady flashing red LED light indicates that the Inverter is ON. A fast flashing red LED light specifies that the inverter is in Reverse Override Function selection status. A slow flashing red LED light indicates that the inverter is in Ignition Lockout Function selection status.

3.1 Reverse Override Function (ROF)

In some RV's, a TV monitor is used in conjunction with a camera which allows the driver to view the area behind the vehicle while reversing. If the TV monitor is in view of the driver, it should remain off, and should only be turned on when the vehicle is reversing. When the gear is shifted to "reverse", a micro-switch in the reversing mechanism of the vehicle generates a "+" battery voltage signal that can be used to switch on the TV monitor. This is termed as Reverse Override Function (ROF). If the TV monitor is powered from the inverter, "ROF" function will enable to switch on the inverter when the vehicle is reversed and the "+" battery voltage signal is fed to the remote.

- In the preset condition of "ROF", when the "+" battery voltage signal from the vehicle's reversing gear system is fed to the ¼" male disconnect terminal, the inverter is switched on. When the "+" battery voltage signal is removed, the inverter is switched off.

3.2 Ignition Lockout Function

Some low power circuits in a vehicle are energized when the ignition switch is turned to the "Accessory" position to provide "+" battery voltage power to run low power devices such as a portable music device. If the vehicle is not running, high power devices should not be powered as the starter battery will get drained and the vehicle may not start. When the ignition switch is turned to the "Accessory" position, a "+" battery voltage line is available for actuating the required devices. As the inverter is a high power consuming device, it should be switched off when the ignition switch is turned to the "Accessory" position. Hence, the "Ignition Lockout" function is utilized to switch off the inverter when "+" battery voltage signal is fed to the Remote on activation of the "Accessories" circuit.

In the back of the Remote Control, a ¼" male quick disconnect terminal is provided to switch on or switch off the inverter by feeding "+" battery voltage signal. A jumper is provided in the Remote (the jumper is accessible after opening the bottom cover of the remote control) to select either "ROF" function or "Ignition Lockout" function. The Remote Control comes preset in "ROF" position.

- When the alternate "Ignition Lockout" function is selected (by changing the position of the internal jumper), the inverter shuts down when "+" battery voltage signal from the "Accessories" circuit is applied and switches on when the "+" battery voltage signal is removed.

The wire feeding the “+” battery voltage signal to the ¼” connector for the ROF or Ignition Lockout functions should have a 0.5A fuse in series for protection.

3.3 Selecting ROF or Ignition Lockout Functions

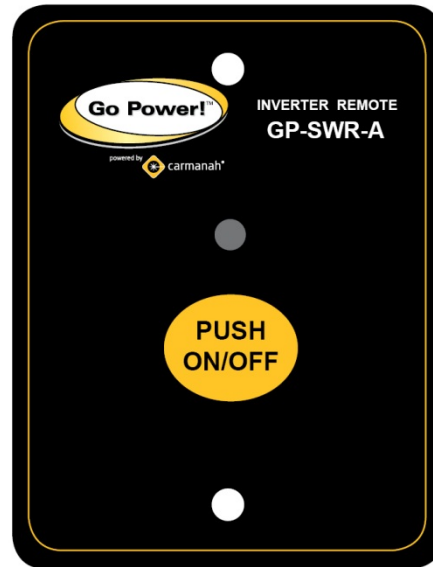
Jumper JP1 is placed inside the remote control and is used to select either Reverse Override Function or Ignition Lockout Function (open the back cover for access to the jumper JP-1).

- JP1 jumper “OPEN”—Reverse Override Function is selected*
- JP1 jumper “SHORT”—Ignition Lockout Function is selected

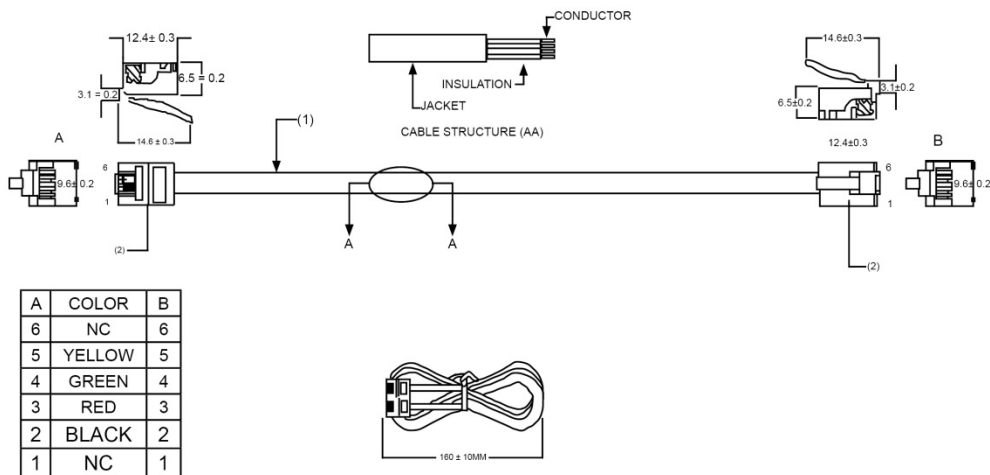
*Please note that the default mode is OPEN

4.0 Installation

1. Refer to the drawing for hole and cutout dimensions.
2. Use the cable between CR8 remote and the inverter.
3. Switch the inverter to REMO position.



4.1 GP-SWR-A Remote Control Cables



5.0 Repair and Return Information

Visit www.gpelectric.com to read the “frequently asked questions” section of our website to troubleshoot the problem. If trouble persists:

1. Call your Go Power!™ Technical Support team (1-866-247-6527).
2. Return defective product to place of purchase

6.0 Mounting the Remote

Step 1- Cut out the template (on page 8) attached and position it on the wall where the remote is to be mounted.

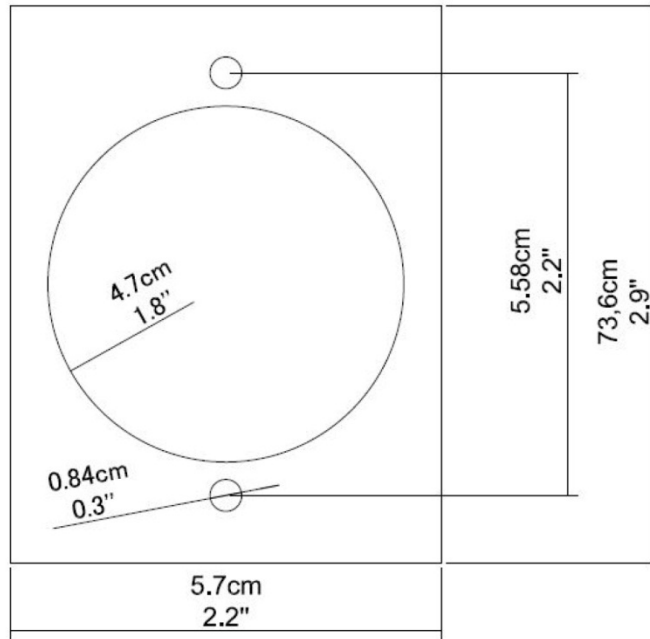
Step 2- Mark the location of the two holes, and the square area to be cut out.
Note: Remote switch assembly requires 0.7” (18mm) minimum clear panel depth.

Step 3- Drill two holes, 7/64” (2.8mm) diameter and remove the cutout area.

Step 4- Feed the connector and wire through the cutout hole in the panel and route the wire to the inverter receptacle (RS 232 Port).

Step 5- Position the remote switch assembly upright and secure to the panel using the two screws provided. Plug the phone jack into the inverter. Press the button to turn the inverter on and off.

6.1 Mounting Template



© 2011 GO POWER!™ By Carmanah Technologies
www.gpelectric.com

MOBI_MAN_SWR-A_vA_Dec2011