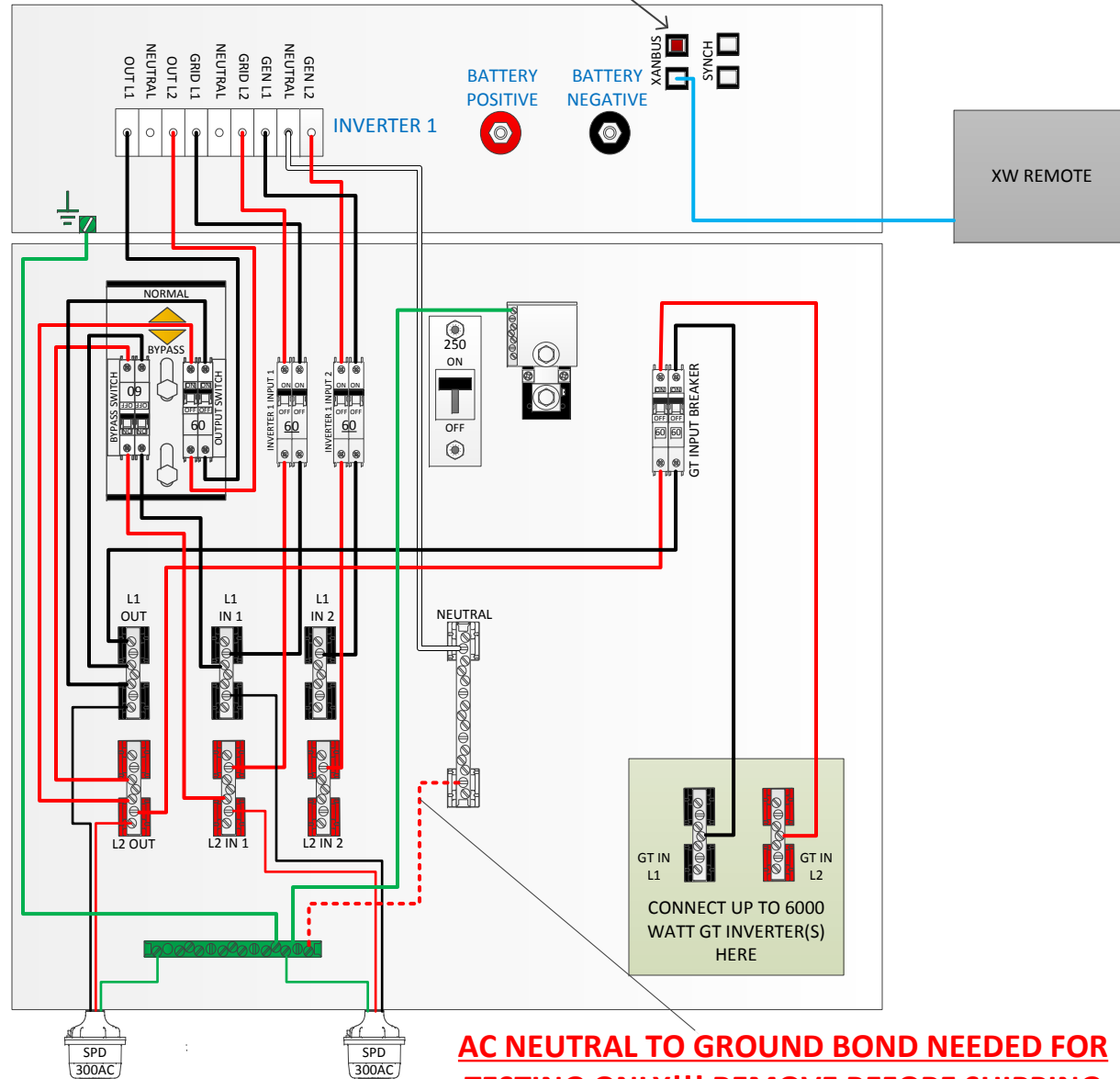


MNXWPAC5548or6848 XW AC COUPLED REVH 1/18/2018

AC WIRING DONE BY MIDNITE

NOTE: INSTALL
TERMINATOR PLUG
IN UNUSED XANBUS
JACK



NOTE:
ALL AC WIRING TO BE
#6THHN UNLESS
OTHERWISE NOTED

**AC NEUTRAL TO GROUND BOND NEEDED FOR
TESTING ONLY!!! REMOVE BEFORE SHIPPING**

MNXWPAC5548or6848-REVH XW AC COUPLED 1/18/2018

WIRING DONE BY Customer

NOTE: INSTALL
TERMINATOR PLUG
IN UNUSED XANBUS
JACK

