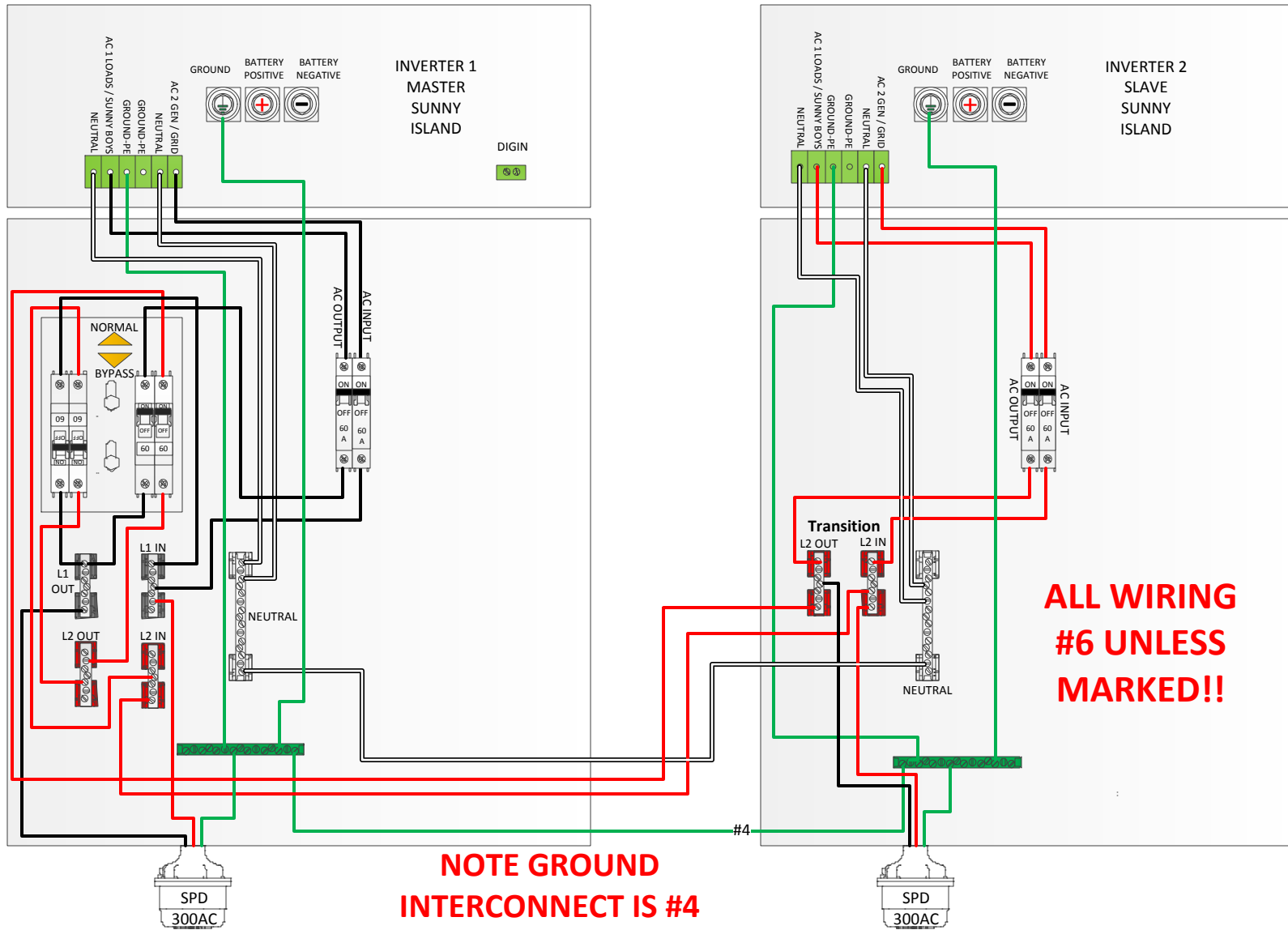
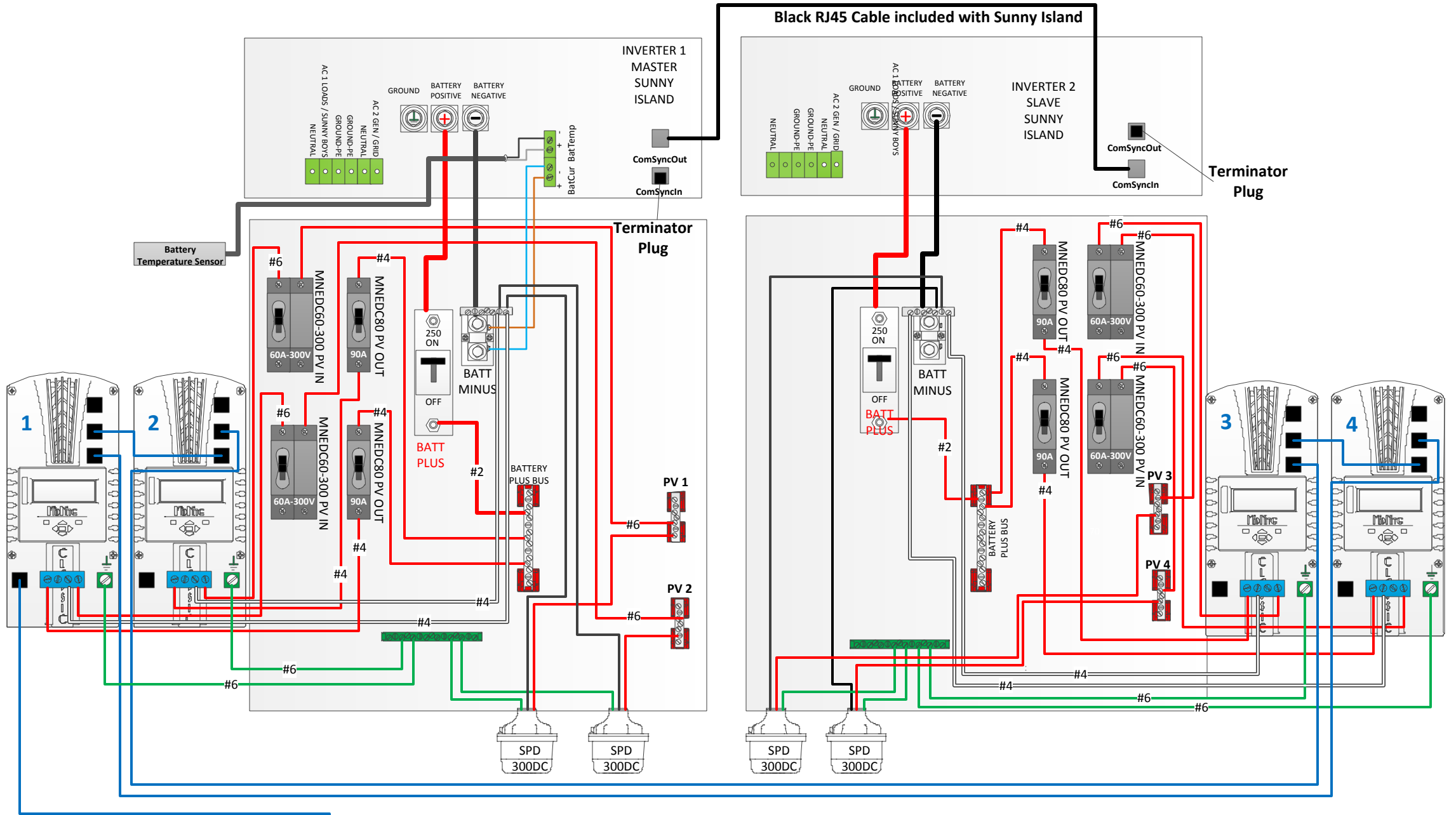


MNSI6048D-4CL200-RevA – 11/21/2016

AC WIRING INSTALLED BY MIDNITE SOLAR



DC AND COMMUNICATION CABLES FACTORY INSTALLED BY MIDNITE SOLAR

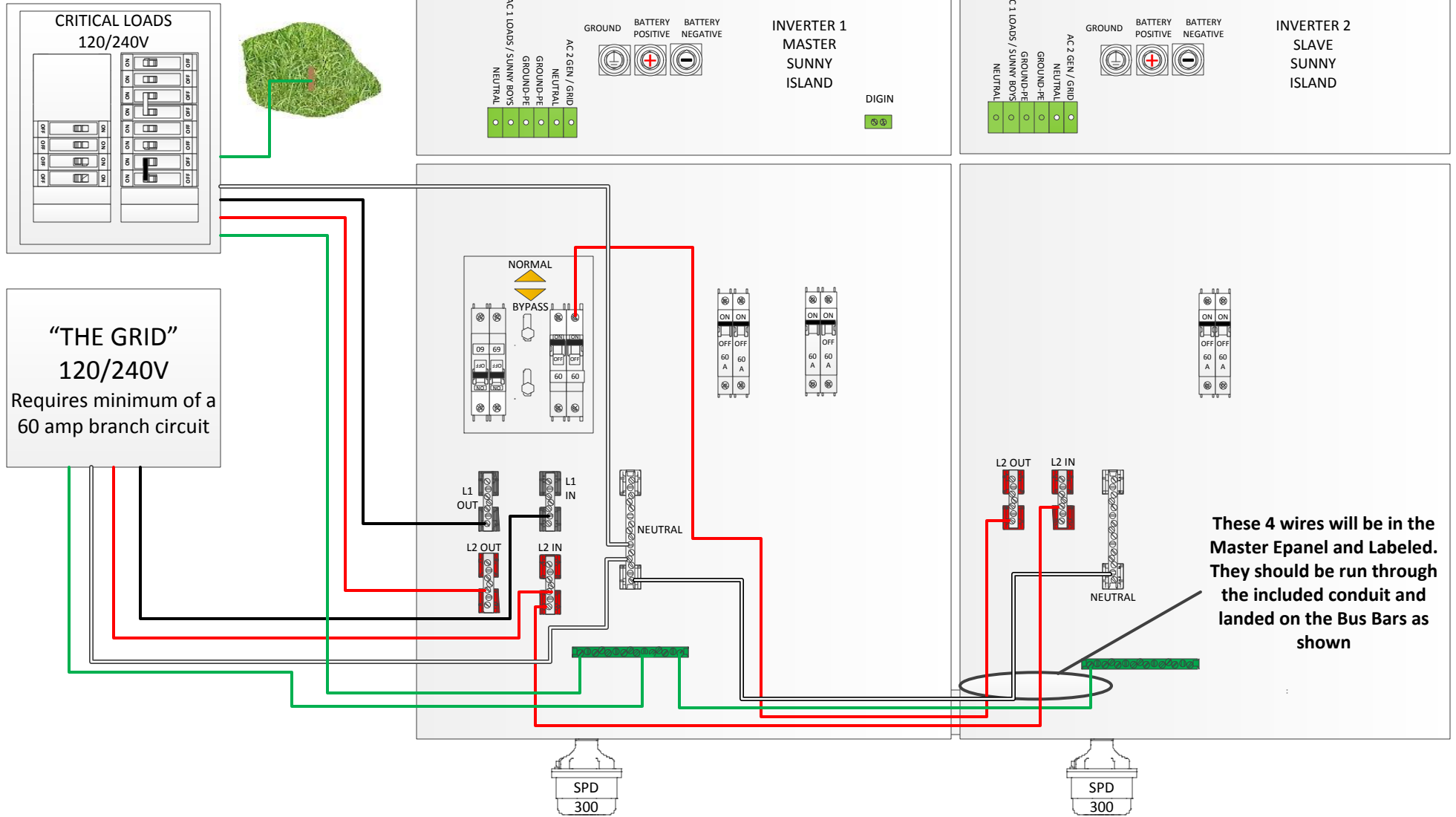


Battery Temp Sensor

MNSI6048D-4CL200-RevA – 11/21/2016

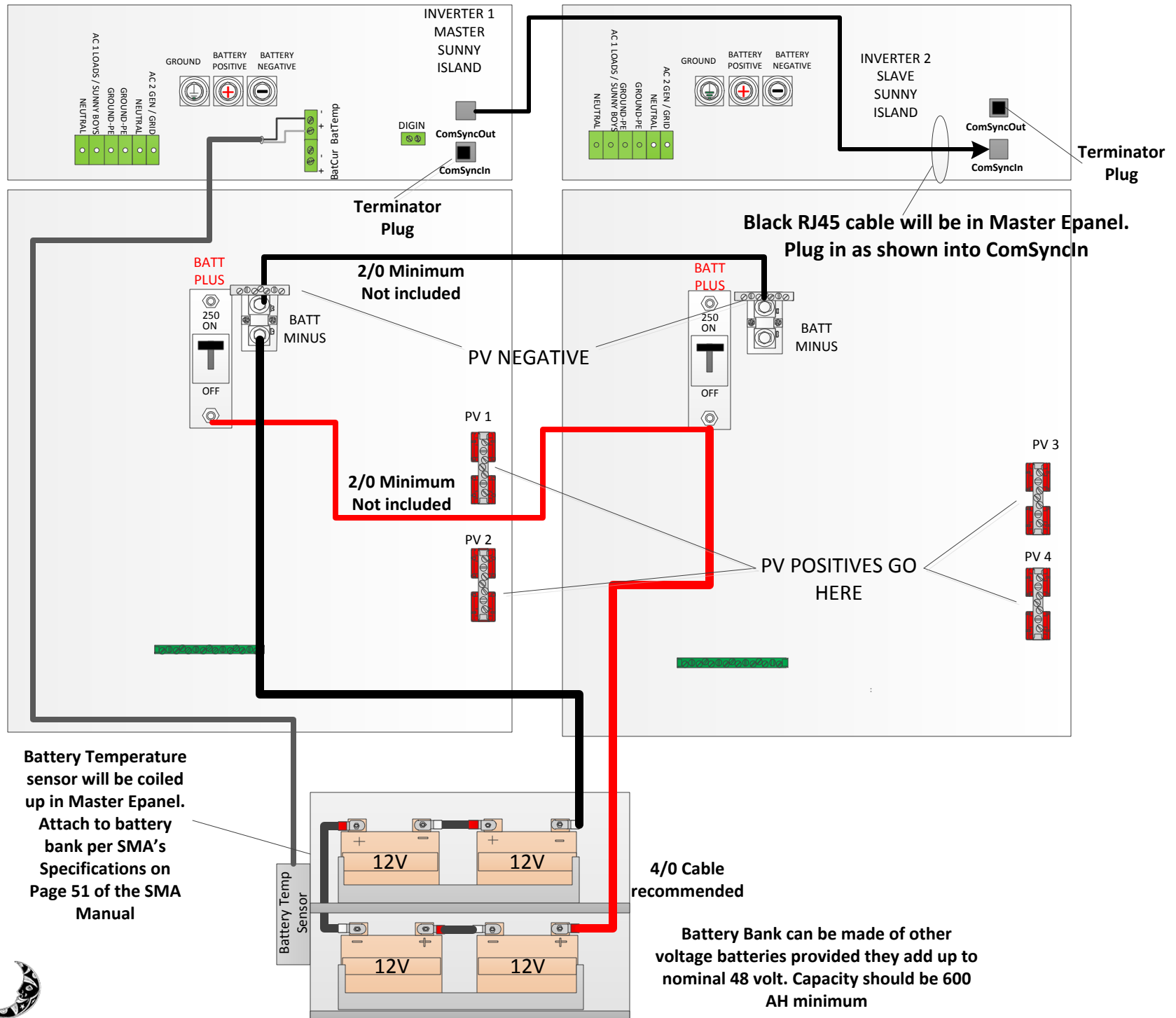
AC WIRING TO BE DONE BY CUSTOMER

System must be grounded per NEC specifications



MNSI6048D-4CL200-RevA – 11/21/2016

CUSTOMER DC AND COMMUNICATIONS WIRING



Battery Temperature sensor will be coiled up in Master Epanel. Attach to battery bank per SMA's Specifications on Page 51 of the SMA Manual

Battery Bank can be made of other voltage batteries provided they add up to nominal 48 volt. Capacity should be 600 AH minimum

