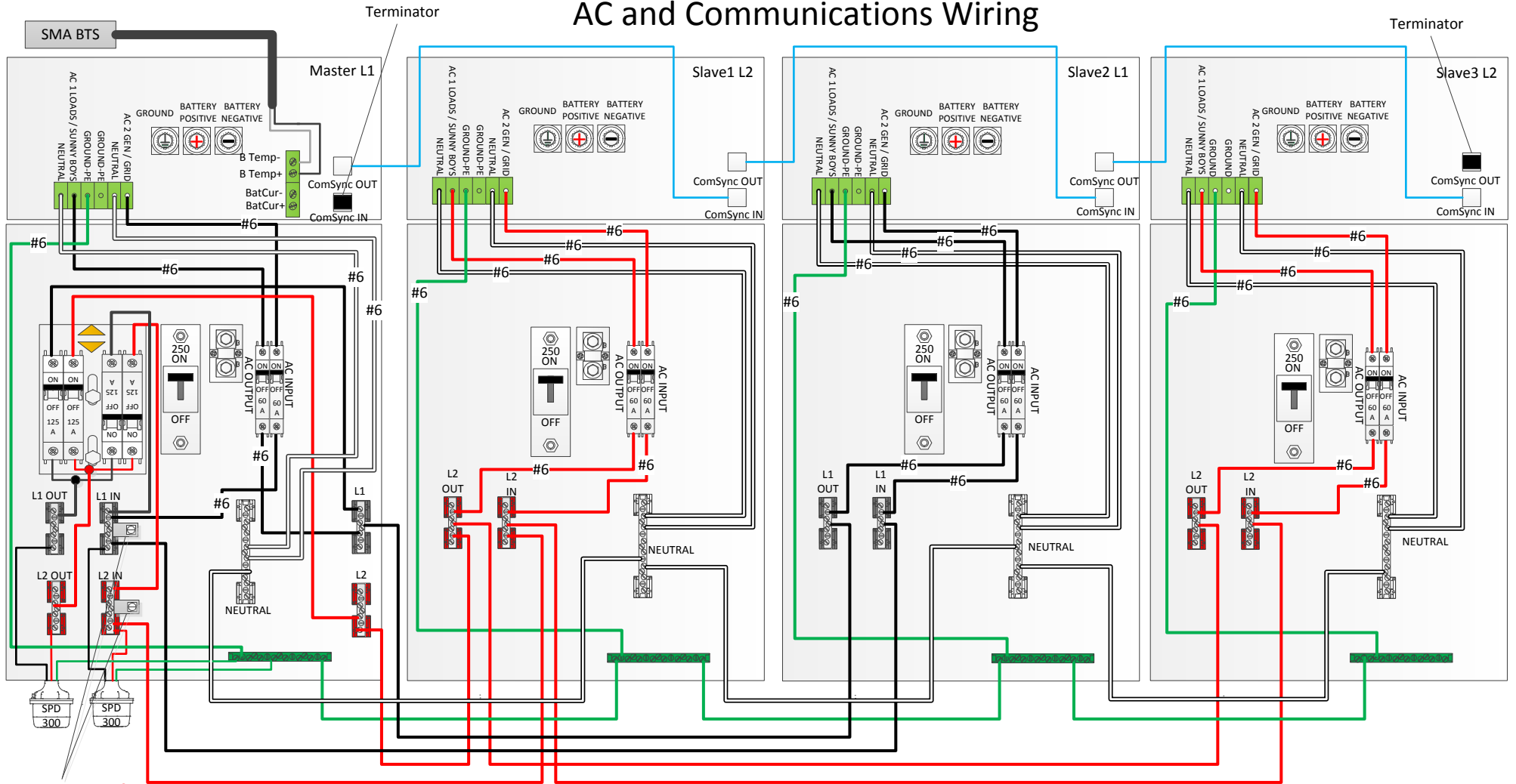


MNSI6048-QUAD-RSS-REVB 12/17/15

AC and Communications Wiring



Add bus bars for customers Large AC IN wires

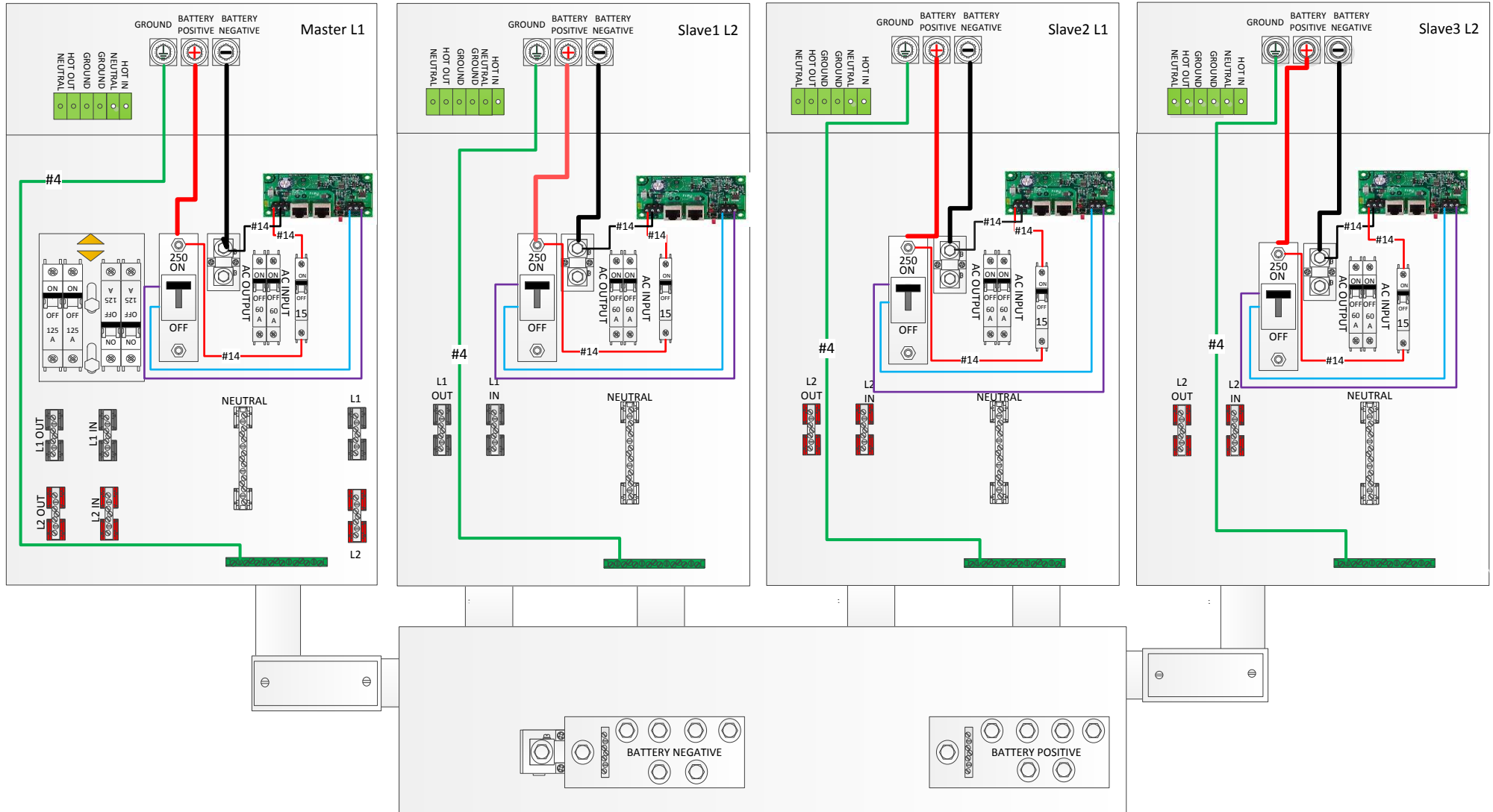
ALL AC WIRING IS #2 UNLESS MARKED OTHERWISE.

BASICALLY ALL WIRES FROM EACH INDIVIDUAL INVERTER WILL BE #6 AND ALL OTHERS ARE #2

MNSI6048-QUAD-RSS-REVB 12/17/15

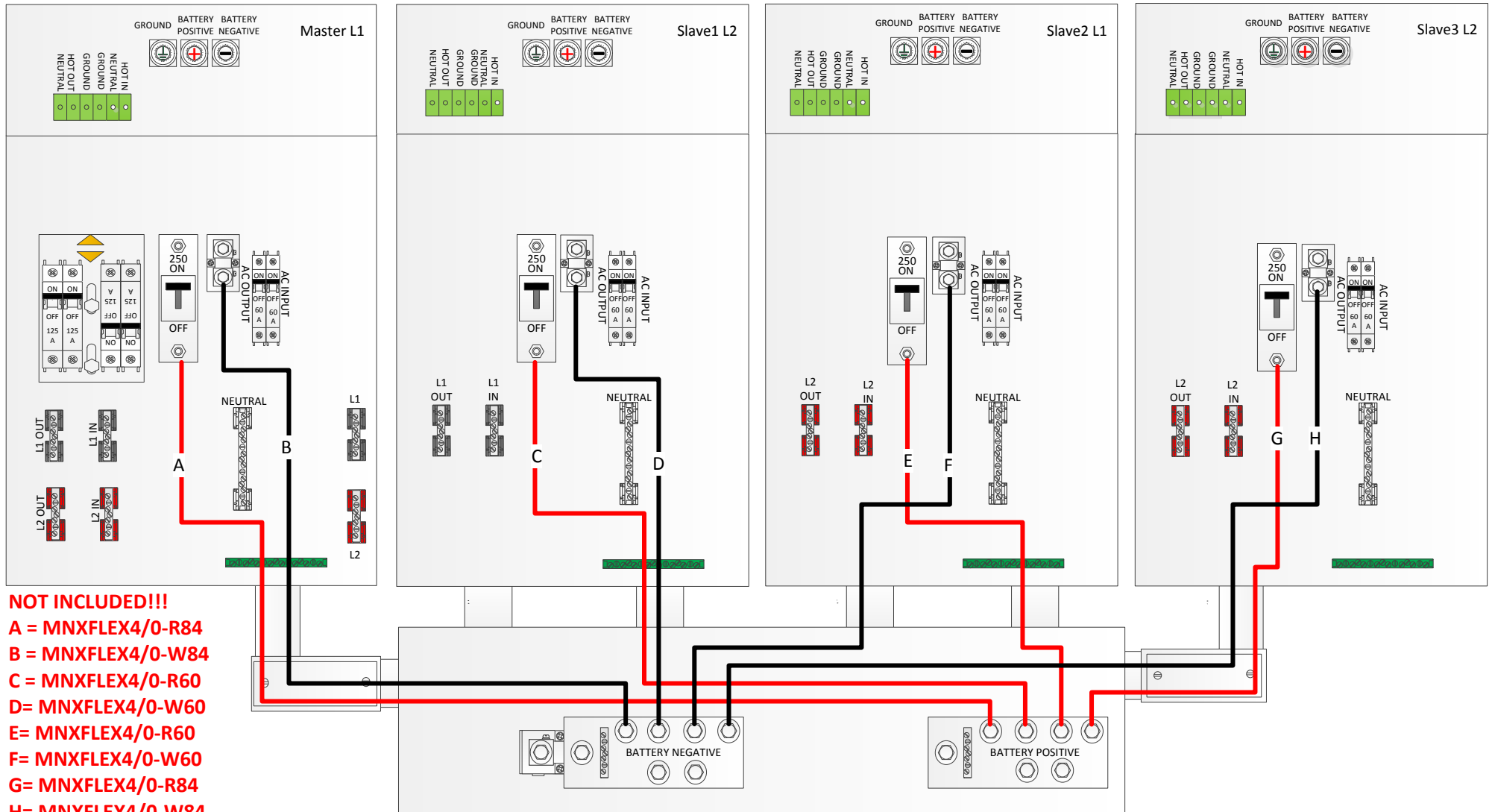
DC WIRING by MidNite

**ALL CABLES 2/0
UNLESS MARKED.**



MNSI6048-QUAD-RSS-REVB 12/17/15

DC WIRING by Customer



NOT INCLUDED!!!

- A = MNXFLEX4/0-R84
- B = MNXFLEX4/0-W84
- C = MNXFLEX4/0-R60
- D = MNXFLEX4/0-W60
- E = MNXFLEX4/0-R60
- F = MNXFLEX4/0-W60
- G = MNXFLEX4/0-R84
- H = MNXFLEX4/0-W84

NON INCLUDED CONDUIT PARTS:

- 1 - 2 inch PVC LL
- 1 - 2 inch PVC LR
- 12 - 2 inch male adpaters with lock nuts and bushings
- 5-6ft of 2 inch schedule 40 PVC conduit

MNSI6048-QUAD-RSS-REV B 12/17/15

Customer Wiring

