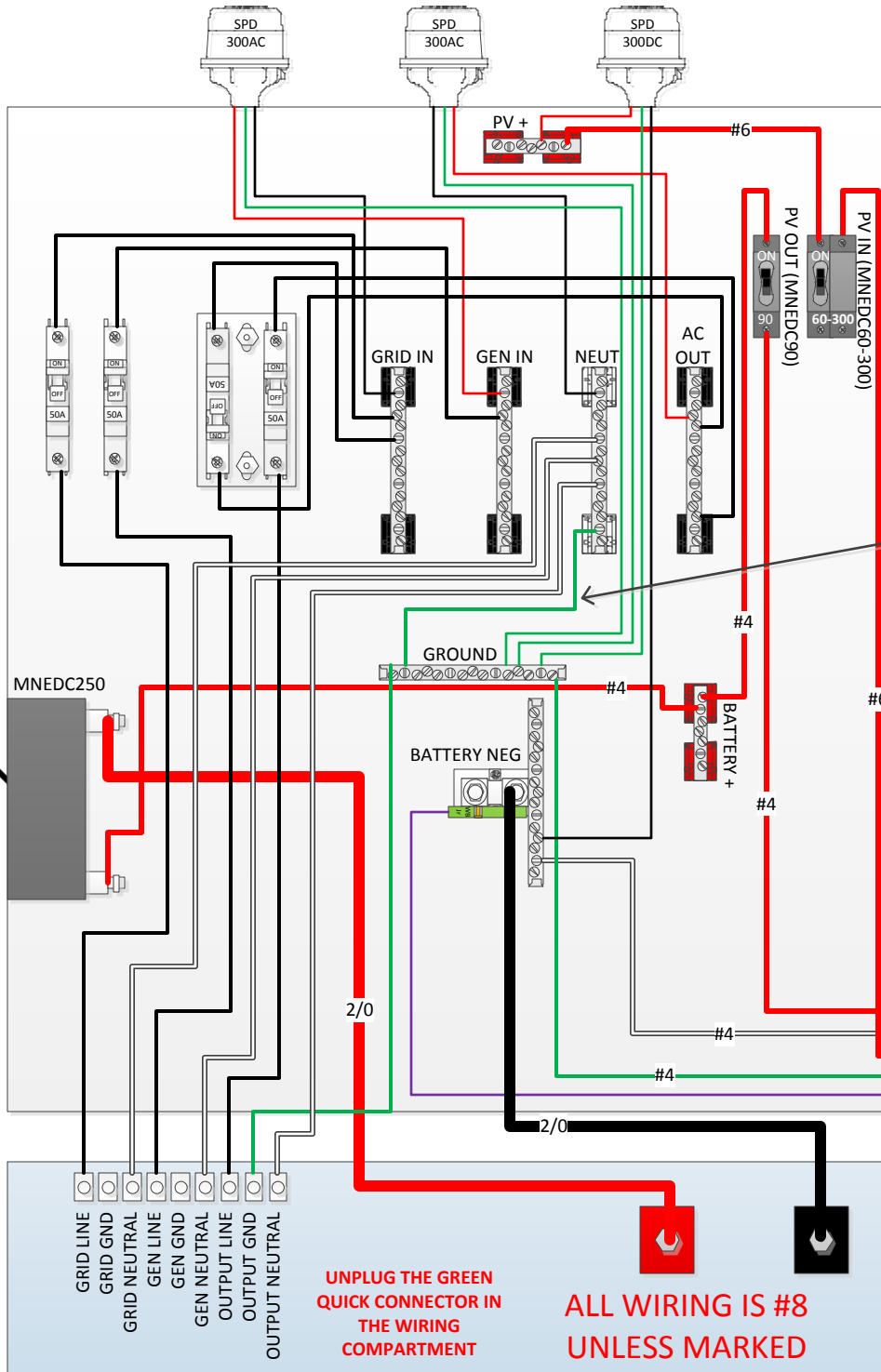


MNEVO2012, 3012 or 4024-CL200-REVA 11-22-16



FOR STATIONARY USE AS DRAWN. FOR MOBILE USE AC OUT NEUTRAL MUST BE ISOLATED TO EXTERNAL LOAD CENTER AND GREEN QUICK CONNECT RECONNECTED IN THE WIRING COMPARTMENT OF THE INVERTER AS WELL AS THE NEUTRAL TO GROUND BOND MUST BE REMOVED FROM THE E-PANEL (Note E-Panel is not listed for mobile applications)

REMOVE THIS JUMPER WHEN GRID CONNECTED OR AC TO NEURAL BOND IS MADE IN MAIN PANEL

