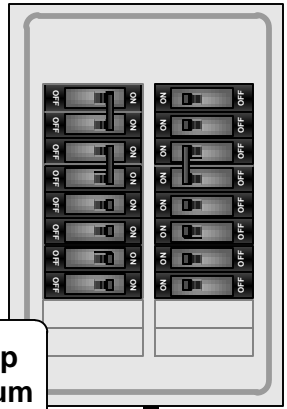
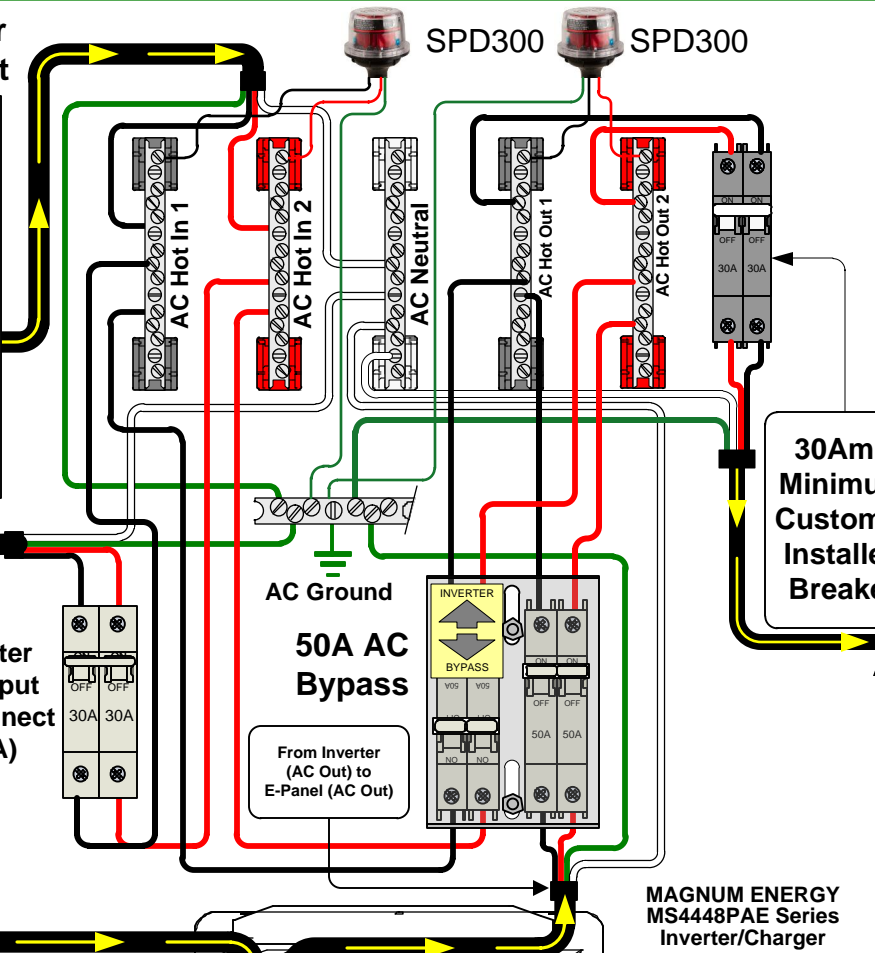
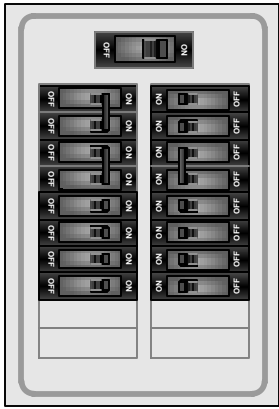


Utility or Generator  
120/240VAC Output

SPD300 SPD300

120/240VAC  
Load Panel



30Amp Minimum  
Customer  
Installed  
Breaker

From  
E-Panel  
(AC In)  
to  
Inverter  
(AC In)

Inverter  
AC Input  
Disconnect  
(30A)

AC Ground  
50A AC  
Bypass

From Inverter  
(AC Out) to  
E-Panel (AC Out)

From  
E-Panel  
(AC out)  
to  
Load  
Center

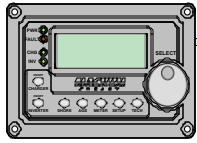
MAGNUM ENERGY  
MS4448PAE Series  
Inverter/Charger

Optional Breakers/Disconnects  
(6 spaces max @ 13mm)

### AC WIRING

### DC WIRING

Remote Control RC-50,  
ARC50 or Magnum Router



Battery  
Temperature  
Sensor

DC -  
Buss

DC  
Shunt

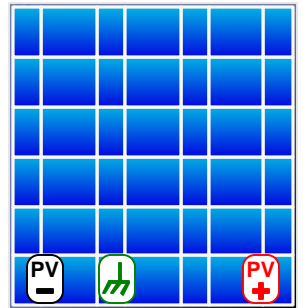
Main Battery  
Shutoff 175A

DC +  
Buss

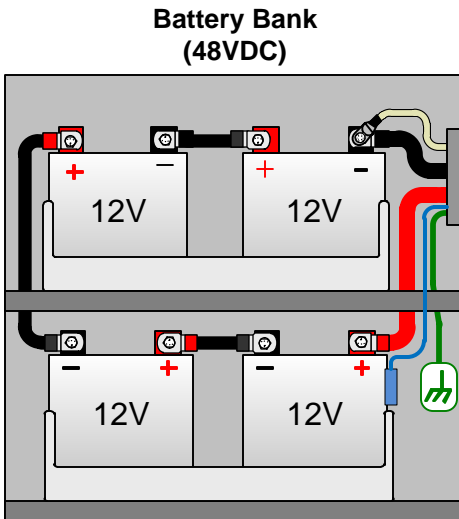
DC  
Ground

MIDNITE SOLAR  
Classic 250  
Controller

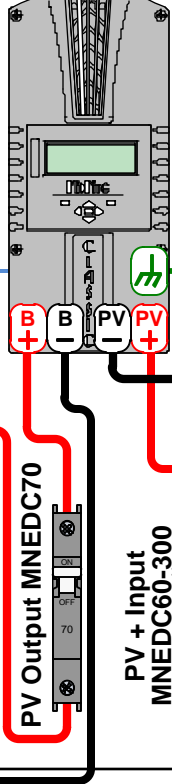
PV Panels



PV +  
Buss



Battery Bank  
(48VDC)



PV Output MNEDC70

PV + Input  
MNEDC60-300

SPD300

Note AC and DC Grounds go to the Same  
BusBar, Drawn Separate for clarity