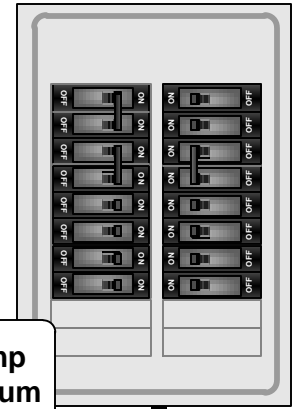
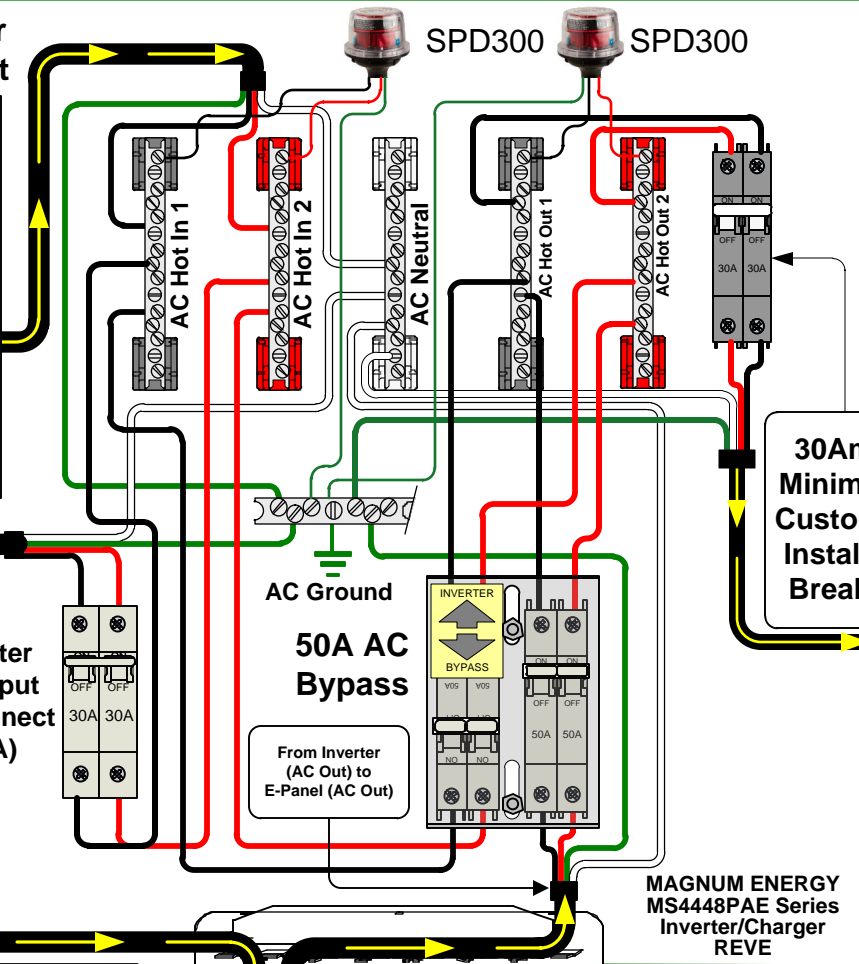
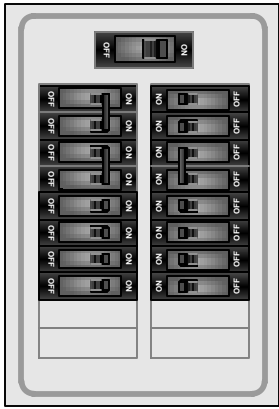


Utility or Generator
120/240VAC Output

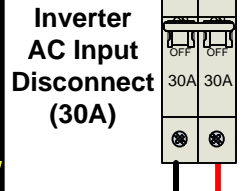
SPD300 SPD300

120/240VAC
Load Panel

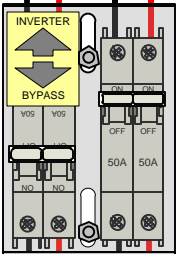


30Amp Minimum
Customer
Installed
Breaker

From
E-Panel
(AC In)
to
Inverter
(AC In)



AC Ground
50A AC
Bypass



MAGNUM ENERGY
MS4448PAE Series
Inverter/Charger
REVE

From
E-Panel
(AC out)
to
Load
Center

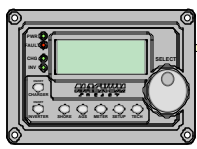
Optional Breakers/Disconnects
(6 spaces max @ 13mm)

AC WIRING

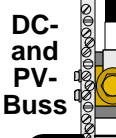
DC WIRING

Classic 150's

Remote Control RC-50,
ARC50 or Magnum Router



Battery
Temperature
Sensor



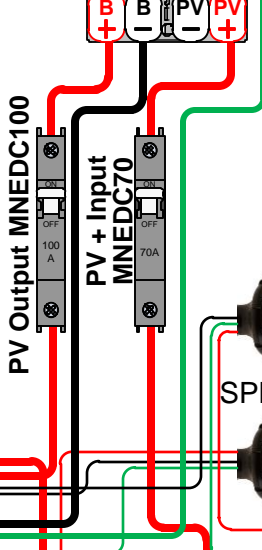
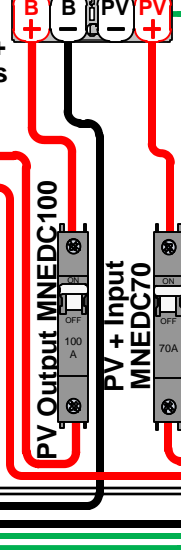
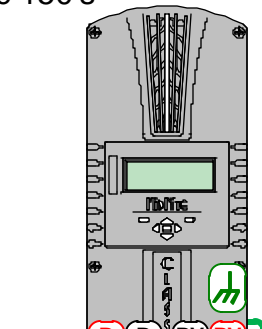
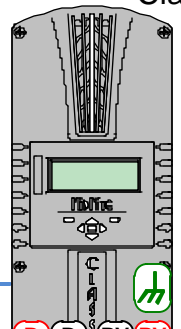
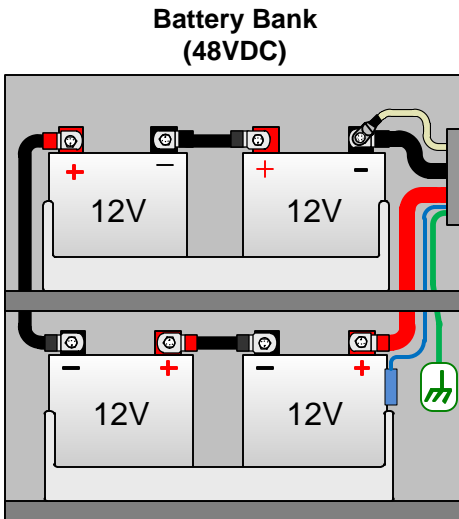
DC
Shunt

Main Battery
Shutoff 175A



DC +
Buss

DC
Ground



Note AC and DC Grounds go to the Same
BusBar, Drawn Separate for clarity

