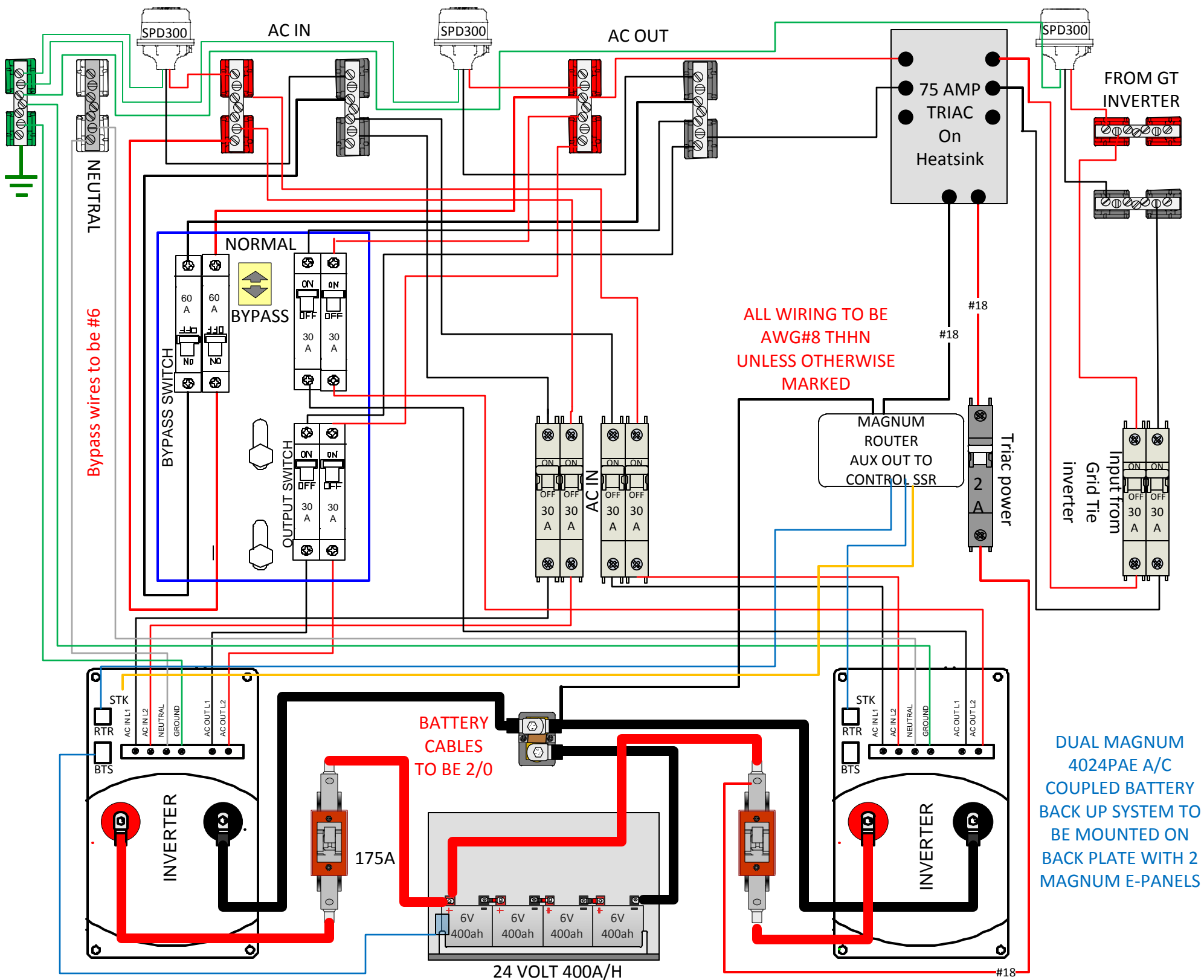


MNEMS4024PAEACCPL-DUAL-REVC-10/30/15



Bypass wires to be #6

ALL WIRING TO BE AWG#8 THHN UNLESS OTHERWISE MARKED

BATTERY CABLES TO BE 2/0

DUAL MAGNUM 4024PAE A/C COUPLED BATTERY BACK UP SYSTEM TO BE MOUNTED ON BACK PLATE WITH 2 MAGNUM E-PANELS

24 VOLT 400A/H