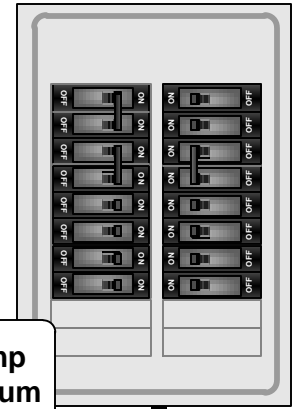
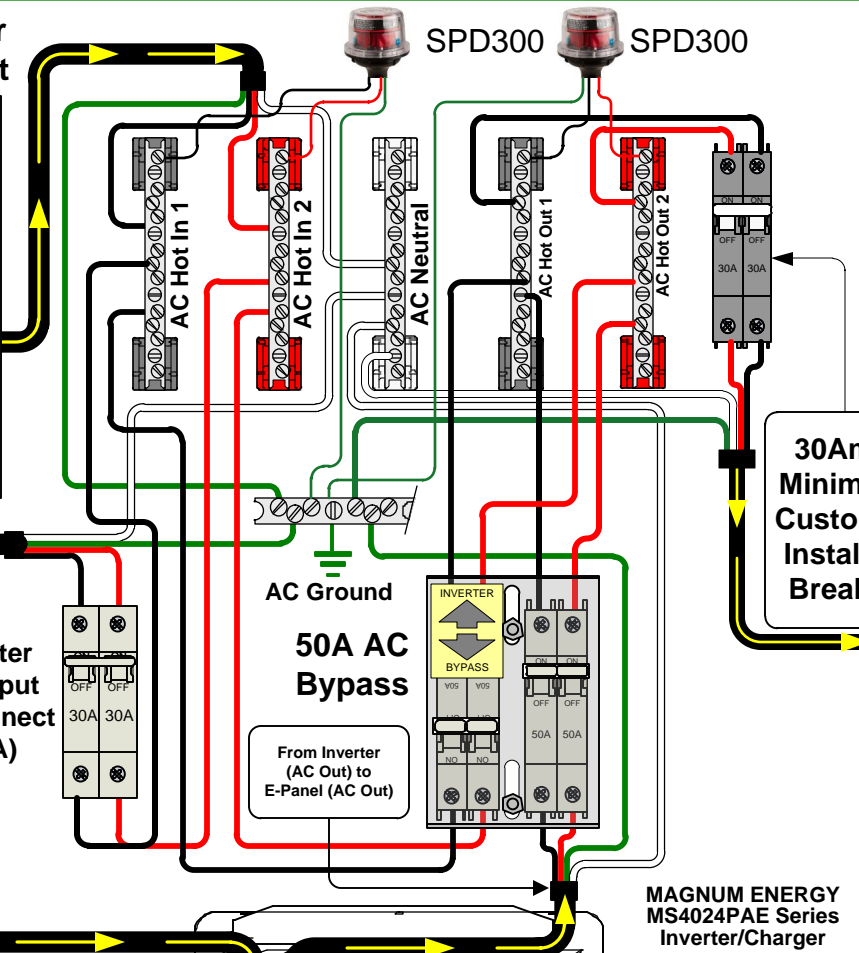
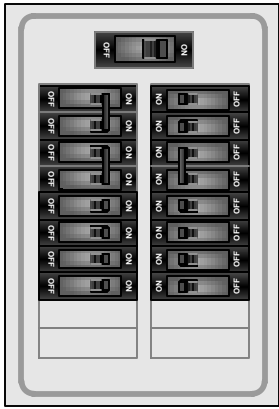


Utility or Generator  
120/240VAC Output

SPD300 SPD300

120/240VAC  
Load Panel



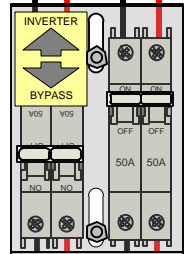
30Amp Minimum  
Customer  
Installed  
Breaker

From  
E-Panel  
(AC In)  
to  
Inverter  
(AC In)

Inverter  
AC Input  
Disconnect  
(30A)

AC Ground  
50A AC  
Bypass

From Inverter  
(AC Out) to  
E-Panel (AC Out)



MAGNUM ENERGY  
MS4024PAE Series  
Inverter/Charger

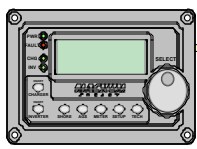
From  
E-Panel  
(AC out)  
to  
Load  
Center

Optional Breakers/Disconnects  
(6 spaces max @ 13mm)

### AC WIRING

### DC WIRING Classic 150's

Remote Control RC-50,  
ARC50 or Magnum Router



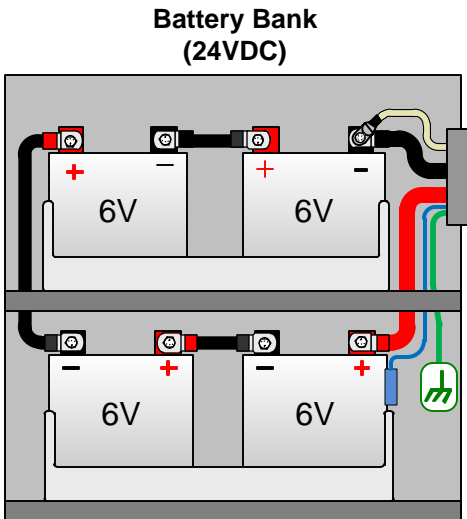
Battery  
Temperature  
Sensor

DC- and  
PV-  
Buss

DC  
Shunt

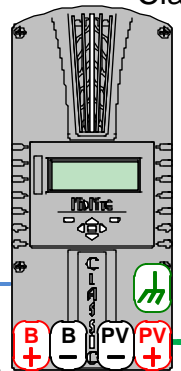
Main Battery  
Shutoff 250A

DC +  
Buss



Battery Bank  
(24VDC)

DC  
Ground



PV +  
Input  
MNEDC100

PV +  
Input  
MNEDC80

PV +  
Input  
MNEDC80

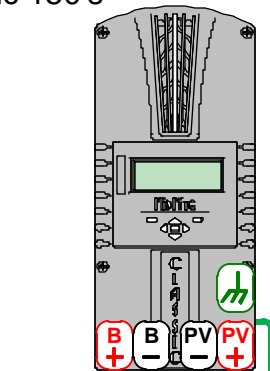
PV +  
Input  
MNEDC80

PV +  
Input  
MNEDC80

PV +  
Input  
MNEDC80

PV +  
Input  
MNEDC80

PV +  
Input  
MNEDC80



PV +  
Input  
MNEDC100

PV +  
Input  
MNEDC80

PV +  
Input  
MNEDC80

PV +  
Input  
MNEDC80

PV +  
Input  
MNEDC80

PV +  
Input  
MNEDC80

PV +  
Input  
MNEDC80

PV +  
Input  
MNEDC80

SPD-300

SPD-300

Note AC and DC Grounds go to the Same  
BusBar, Drawn Separate for clarity

