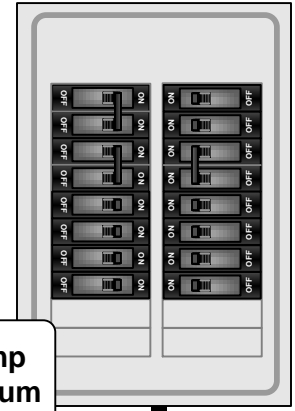
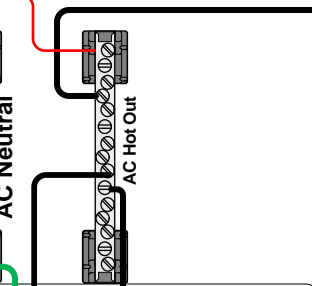
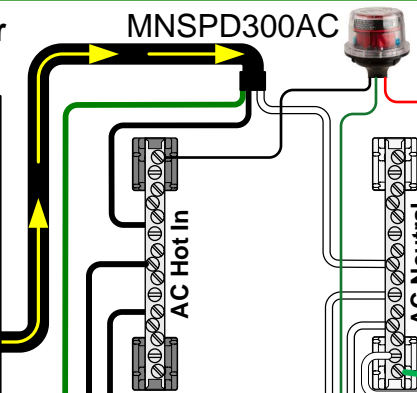
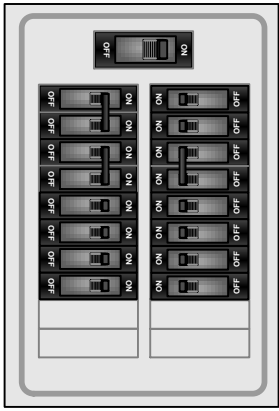


Utility or Generator  
120VAC Output

MNSPD300AC

MNEMS4024-CL200-REVC  
120vac only 1/27/15

120VAC  
Load Panel



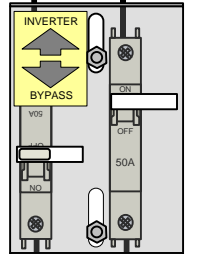
30Amp  
Minimum  
Customer  
Installed  
Breaker

From  
E-Panel  
(AC In)  
to  
Inverter  
(AC In)

Inverter  
AC Input  
Disconnect  
(50A)

AC Ground  
50A AC  
Bypass

From Inverter  
(AC Out) to  
E-Panel (AC Out)



From  
E-Panel  
(AC out)  
to  
Load  
Center

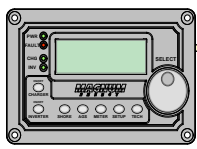
MAGNUM ENERGY  
MS4024 Series  
Inverter/Charger

Optional Breakers/Disconnects  
(6 spaces max @ 13mm)

AC WIRING

DC WIRING  
Classic 200

Remote Control ARC50



Battery  
Temperature  
Sensor

DC- and  
PV-  
Buss

DC  
Shunt

WBir

Main Battery  
Shutoff 250A

DC +  
Buss

Aux2 +

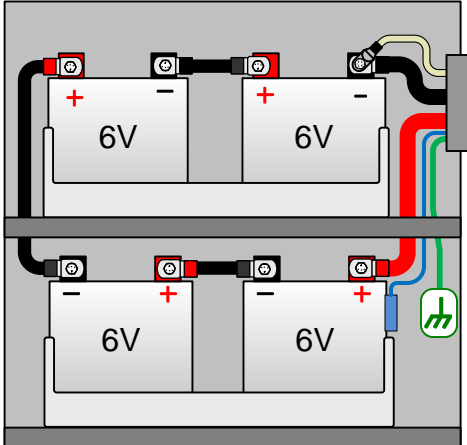
B +

B -

PV -

PV +

Battery Bank  
(24VDC)



DC  
Ground

PV Output MNEDC90

PV + Input  
MNEDC60-300

MNSPD300DC

PV + Buss 1

Note AC and DC Grounds go to the Same  
BusBar, Drawn Separate for clarity