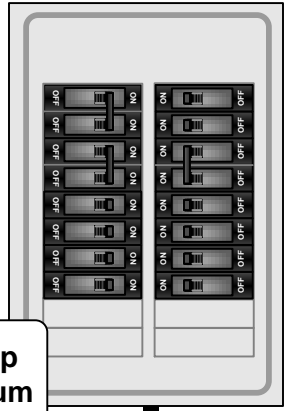
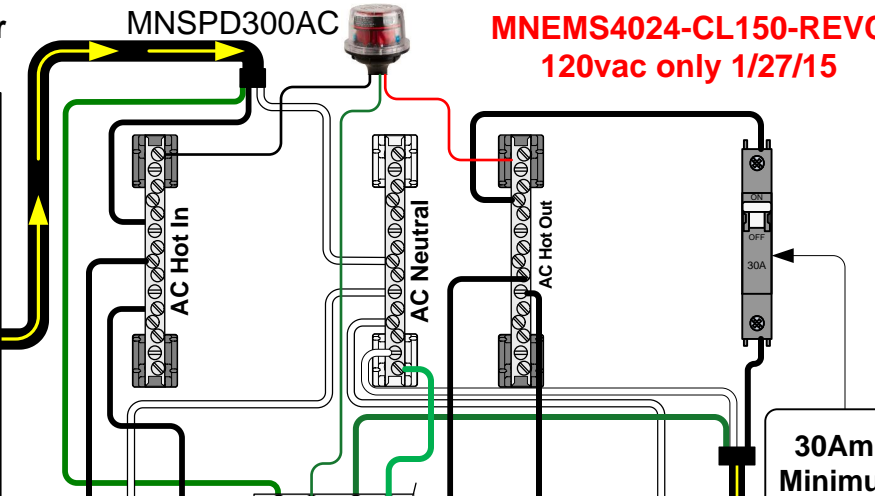
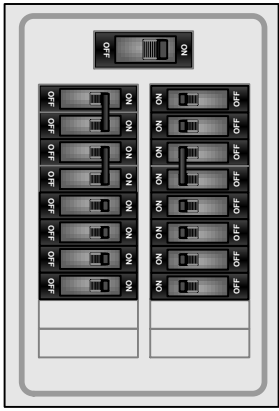


Utility or Generator
120VAC Output

MNSPD300AC

MNEMS4024-CL150-REVC
120vac only 1/27/15

120VAC
Load Panel



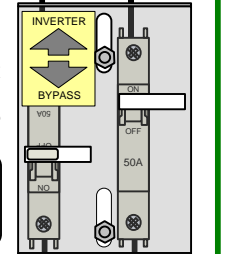
30Amp
Minimum
Customer
Installed
Breaker

From
E-Panel
(AC In)
to
Inverter
(AC In)

Inverter
AC Input
Disconnect
(50A)

AC Ground
50A AC
Bypass

From Inverter
(AC Out) to
E-Panel (AC Out)



From
E-Panel
(AC out)
to
Load
Center

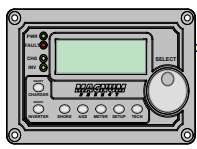
MAGNUM ENERGY
MS4024 Series
Inverter/Charger

Optional Breakers/Disconnects
(6 spaces max @ 13mm)

AC WIRING

DC WIRING Classic 150

Remote Control ARC50



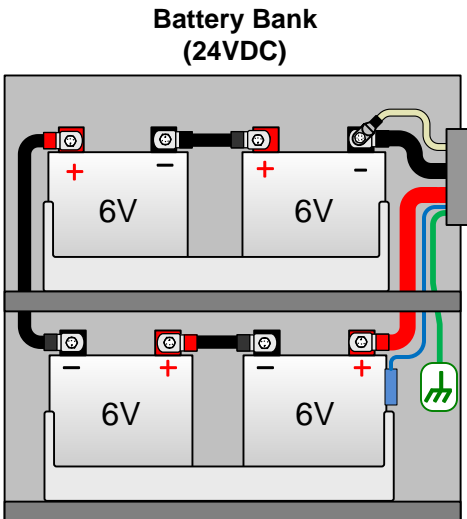
Battery
Temperature
Sensor

DC- and
PV-
Buss

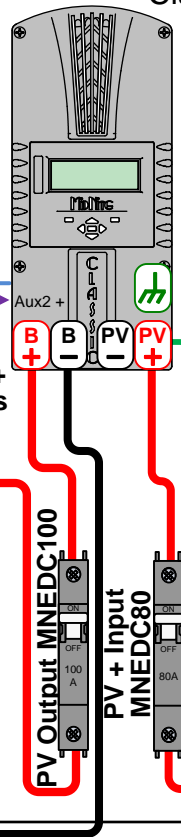
DC
Shunt

Main Battery
Shutoff 250A

DC +
Buss



DC Ground



Aux2 +

B +

B -

PV +

PV -

PV Output MNEDC100

PV + Input
MNEDC80

MNSPD300DC

Note AC and DC Grounds go to the Same
BusBar, Drawn Separate for clarity

PV + Buss 1