

ESDEC INC.

LETTER REPORT

SCOPE OF WORK

UL 2703A for IronRidge Halo UltraGrip™

REPORT NUMBER

105445070LAX-001a

ISSUE DATE

26-May-2023

[REVISED DATE]

PAGES

4

DOCUMENT CONTROL NUMBER

GFT-OP-10a (21-June-2019)

© 2019 INTERTEK



LETTER REPORT

26-May-2023

Intertek Report No. 105445070LAX-001a

Intertek Project No. G05445070

Jae Hendrickson
ESDEC INC.
976 Brady Ave. NW, Ste 100
Atlanta, GA 30318-5698
j.hendrickson@us.esdecgroup.com

Ph: +1 415 335 5483

Subject: UL 2703A for IronRidge Halo UltraGrip™

Dear Mr. Hendrickson,

This letter report serves as a confirmation that the above referenced product has met the requirements contained in the following standard:

Outline of Investigation for Flashing Devices and Systems for Rooftop-Mounted Photovoltaics [UL SUBJECT 2703A:2022 Ed.1]

SECTION 1 SUMMARY

Intertek wishes to inform you that the Halo UltraGrip™ (HUG) has met all applicable requirements for compliance with UL Subject 2703A, as evaluated under quote number Qu-01359394-0.

The Halo UltraGrip™ by IronRidge is composed of an approx. 3" x 3.75" x 3.5" die cast aluminum roof attachment with the UltraGrip™ Flashing Technology. Ratings are shown in Section 2.

SECTION 2 RATINGS

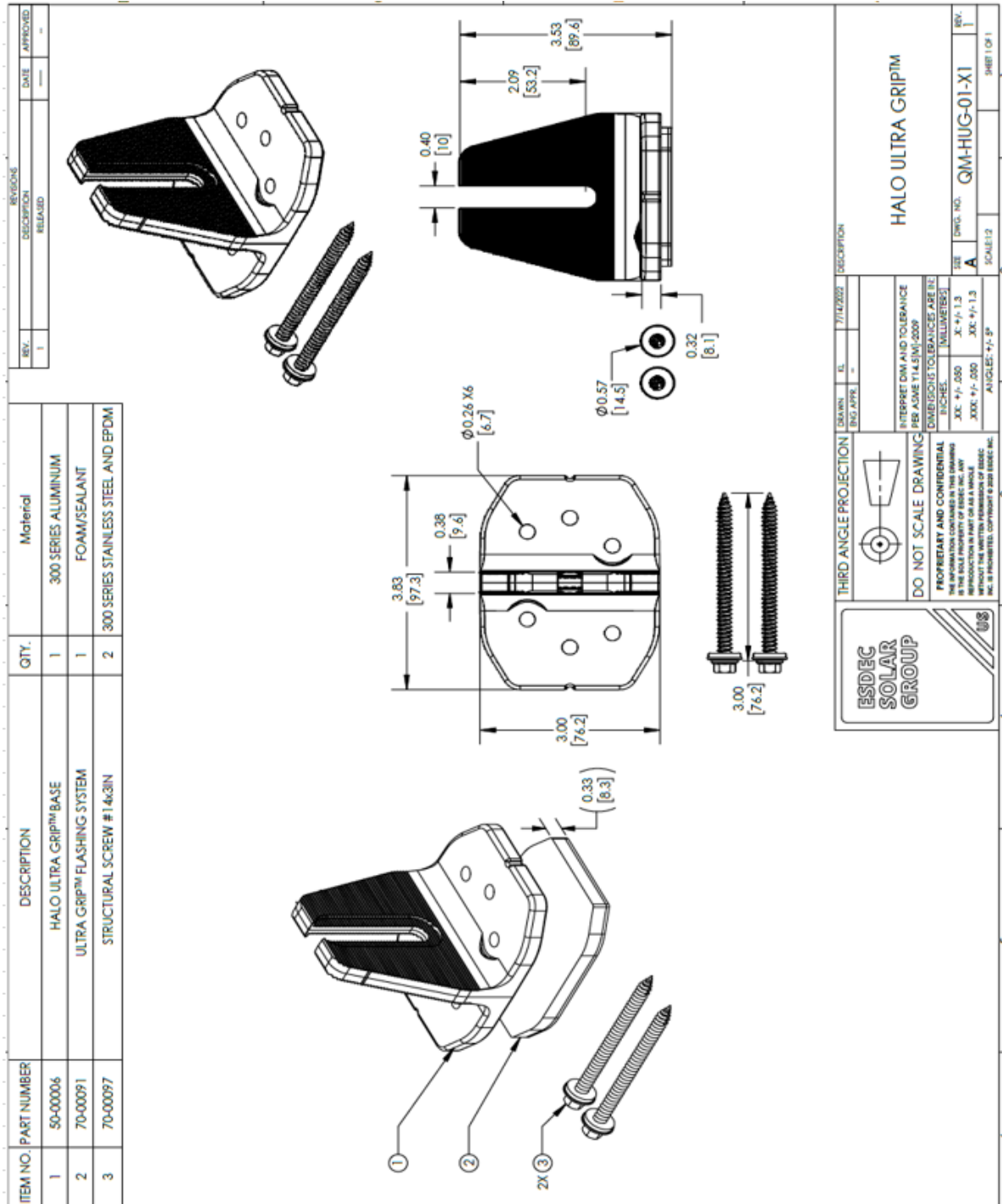
- Conforms to UL Subject 2703A - Steep Slope, Asphalt Shingle Roof
- Ratings applicable for steep roof slopes 2:12 and above

This report is for the exclusive use of Intertek's Client and is provided pursuant to the agreement between Intertek and its Client. Intertek's responsibility and liability are limited to the terms and conditions of the agreement. Intertek assumes no liability to any party, other than to the Client in accordance with the agreement, for any loss, expense or damage occasioned by the use of this report. Only the Client is authorized to permit copying or distribution of this report and then only in its entirety. Any use of the Intertek name or one of its marks for the sale or advertisement of the tested material, product or service must first be approved in writing by Intertek. The observations and test results in this report are relevant only to the sample tested. This report by itself does not imply that the material, product, or service is or has ever been under an Intertek certification program.

LETTER REPORT

SECTION 3



DRAWINGS



LETTER REPORT

SECTION 4
PROJECT STATUS & ACTION

Issuance of this letter report completes Report 1 of Intertek Project No. G105445070.

Completed by:	Kamerine Kroner	Reviewed by:	Abhinav Prakash
Title:	Engineer	Title:	Reviewer
Signature:		Signature	
Date	<u>26-May-2023</u>	Date:	<u>26-May-2023</u>

Please note: this Letter Report does not represent authorization for the use of any Intertek certification marks.