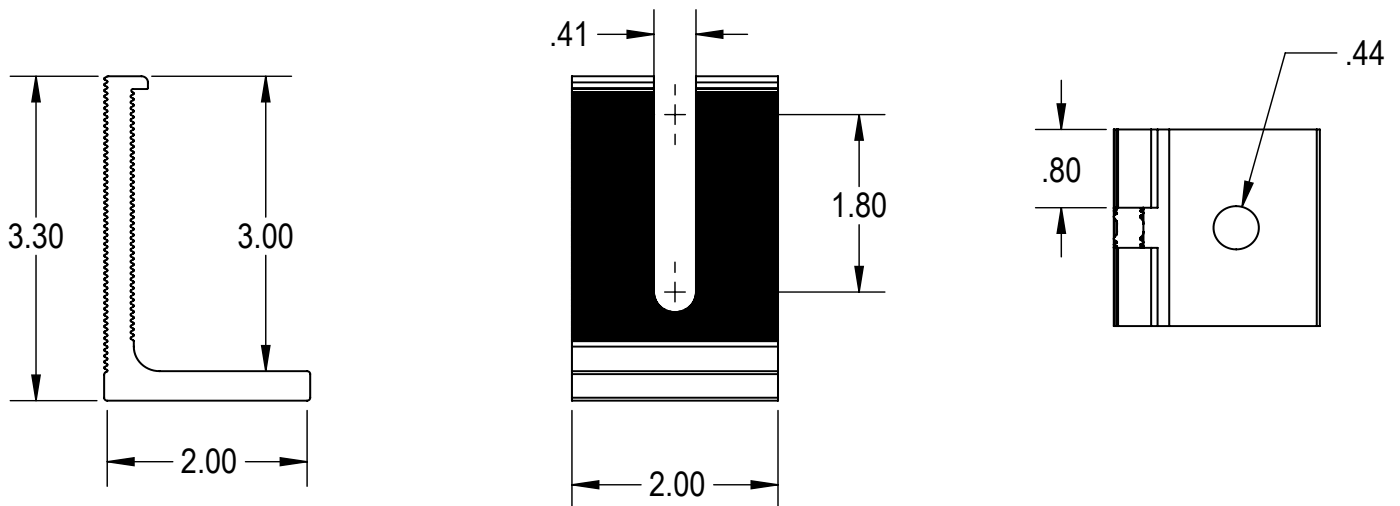


ITEM NO	DESCRIPTION	QTY IN KIT
1	OPEN SLOT L-FOOT	100

PART NUMBER	DESCRIPTION
QM-LF-M1	L-FOOT, OPEN SLOT



Property	Value
Material	6000 Series Aluminum
Finish	Mill

