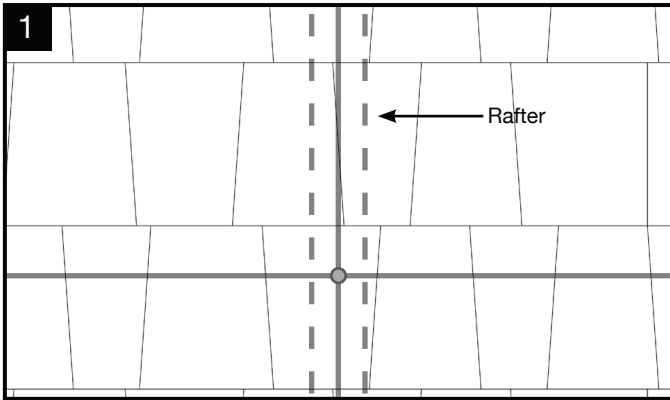


NO.	DESCRIPTION
1	WASHER, EPDM BACKED, 5/16"
2	ASSY, GRIPCAP+

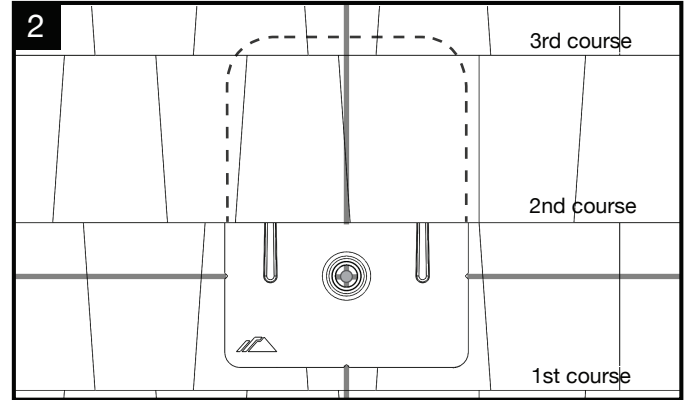
GRIPCAP+®, FLASHVUE®		
SIZE A	DO NOT SCALE DRAWING	
SCALE:1:2	WEIGHT: 0.3 lbs	SHEET 1 OF 1

Installation

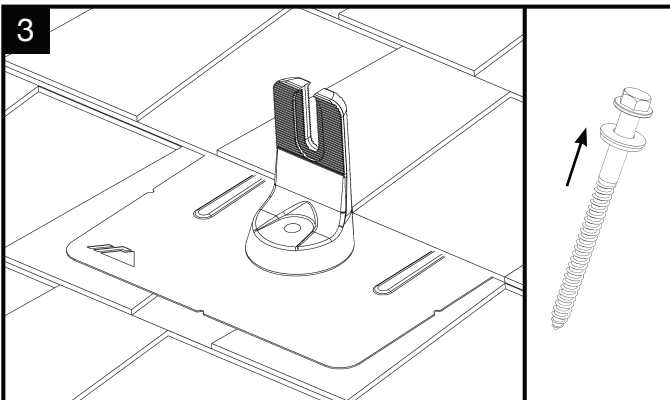
Tools Required: FlashVue® Flashing and Lag, tape measure, chalk, approved sealing materials, driver with 1/4" bit and 7/16" hex socket



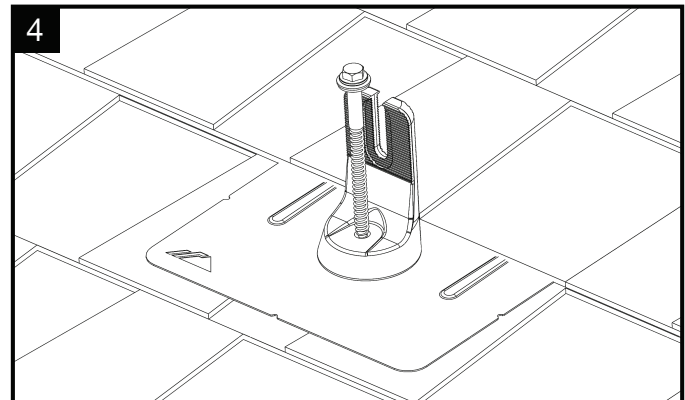
Locate rafters and snap vertical and horizontal lines to mark locations of flashings. Drill 1/4" pilot holes, then backfill with roofing manufacturer's approved sealant.



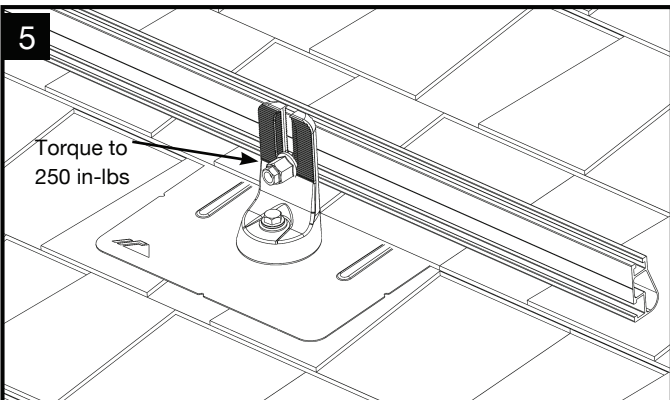
Slide flashing between 1st and 2nd course, so the top is at least 3/4" above the edge of the 3rd course and the bottom is above the edge of the 1st course. Line up pilot hole with flashing hole.



When installing GripCap+® on roofs with undulations greater than 1 inch, install GripCap+® in low points across the array as required. If removing a GripCap+® to replace with GripCap+®, it may be required to loosen an already installed adjacent GripCap+®. Be sure to replace washer with new provided washer and refill pilot hole with sealant.



Insert Lag Bolt through Cap and flashing. Tighten lag bolt until fully seated. FlashVue with GripCap+® is now installed and ready for IronRidge® XR Rails®.



Attach rails to either side of the open slot using bonding hardware. Level rail at desired height, then torque to 250 in-lbs (21 ft-lbs).

Structural Certification
Designed and Certified for Compliance with the International Building Code & ASCE/SEI-7.

Water Seal Ratings
Water Sealing Tested to UL 441 Section 27 "Rain Test" and TAS 100(A)-95 "Wind Driven Rain Test" by Intertek. Tested and evaluated without sealant. Any roofing manufacturer approved sealant is allowed.

UL 2703
Conforms to UL 2703 Mechanical and Bonding requirements. See Ironridge Flush Mount Installation Manual for full ratings.