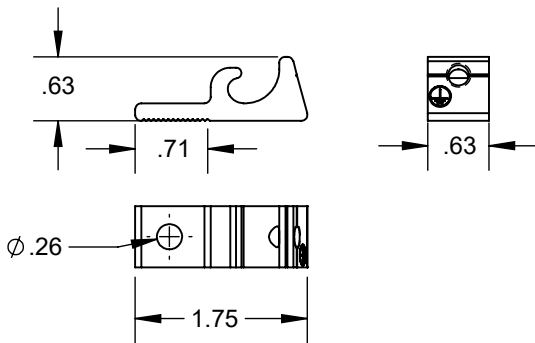


ITEM NO	DESCRIPTION	QTY IN KIT
1	LUG, GROUNDING, LAY-IN - LOW PROFILE	1
2	BOLT, 1/4-28 X .750" HEX CS SST-U	1
3	BOLT, FLANGE HEX 8-32 X .5 IN SST	1
4	NUT FLANGE HEX 8-32 SST	1

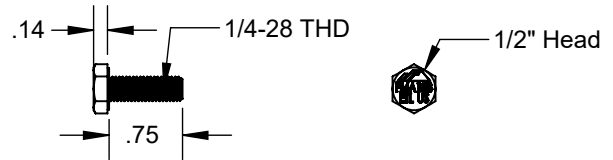
Part Number	Description	Wire Size Range (AWG)
PV-LUG-01-A1	PV Module Grounding Lug	4-10

### 1) BX GROUNDING LUG



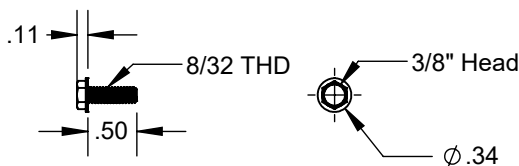
Property	Value
Material	Tin-Plated Copper
Finish	Clear

### 2) Bolt, 1/4-28 x .750" Hex CS



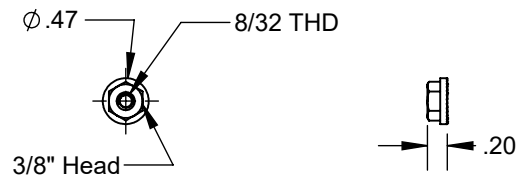
Property	Value
Material	300 Series Stainless Steel
Finish	Clear

### 3) Bolt, Flange Hex 8-32 X .5 IN



Property	Value
Material	300 Series Stainless Steel
Finish	Clear

### 4) NUT FLANGE HEX 8-32



Property	Value
Material	300 Series Stainless Steel
Finish	Clear