



Sealed to meet IP66 rating (IP67 rating certification also available)

Ultra-quiet, low EMI operation

Bright LED indicators

Rugged and reliable



Programmable voltage and frequency

**Unit may not be as shown.*

IPSi305W
INTELLIGENT PURESINE INVERTER

The IPSi305W is a high performance, low frequency DC/AC inverter designed for military and industrial applications. The IPSi305W is capable of delivering 300 volt-amps continuous and 360 volt-amps at peak with a efficiency of over 85%.

Due to its topology, the inverter features exceptionally low EMC on the input as well as on the output. The inverter has built in ground fault protection that ensures safety of personnel as well as extra protection of connected equipment. The unit features programmable low input volt shutdown and delay and programmable output of 100-120 VAC or 200-240 VAC @ 50 or 60 Hz.

Built for the safest operation possible, this unit features low voltage warning with shutdown circuitry to protect the DC power source. While the inverter is safeguarded by high voltage and over temperature protection both with shutdown circuitry. All the alarm conditions can be monitored on the bright LED indicator display which can also be mirrored on the optional remote control panel.

Using the free-to-download InverterWizard software from Analytic Systems, you can change the output frequency, adjust the voltage shutdown thresholds and view and record operating data from any PC with a standard USB interface.

3 YEAR WARRANTY



Available models

Input

12V	20V	40V
-----	-----	-----

Output

110V	220V
------	------

Applications



IPSi305W | INTELLIGENT PURESINE INVERTER

INPUT	-12	-20	-40
Nominal Voltage	12 VDC	24, 28, 32 or 36 VDC	48 or 72 (Rail) VDC
Actual Voltage	10.5-18 VDC	19-48 VDC	39-84 VDC
Maximum Current	49 A	28 A	14 A
Input Fuse	2x 30A 32 VDC Blade Mini Fuses	1x 30A 58 VDC Blade Mini Fuse	1x MDA - 15 A Fuse
Low Voltage Input Shutdown Range	10.5-14 VDC Range (Default setting: 10.5 VDC)	19-36 VDC Range (Default setting: 21 VDC)	39-70 VDC Range (Default setting: 42 VDC)
Low Voltage Input Startup Range	11-14 VDC Range (Default setting: 11.5 VDC)	20-36 VDC Range (Default setting: 23 VDC)	40-70 VDC Range (Default setting: 44 VDC)
Low Voltage Input Shutdown Delay	1-120 seconds (Default setting: 30 seconds)		
High Volt. Input Shutdown	19 VDC	49 VDC	86 VDC
Inrush Current (From fully discharged)	1.8 Amp Peak	4.8 Amp Peak	8.4 Amp Peak

OUTPUT	-110	-220
Nominal Voltage	110 VAC	220 VAC
Continuous Amps	2.5 A	1.3 A
Peak Amps	3 A	1.5 A
Output Voltage Adjustment	±10 VAC	± 20 VAC
Regulation (Line & Load)	+/- 2 VAC	+/- 3 VAC
Output Frequency	50.00 or 60.00 Hz ± 0.01 Hz (User-selectable)	
Output Distortion (THD)	< 2% @ 360 watts into resistive load	
Duty Cycle	Continuous: 24 hours per day @ output Peak: 1 min per 10 min cool down @ output	
Efficiency	85% @ Full Load	
Ground Fault Trip Current	4-6 mA	

MECHANICAL

Length	13.0 in / 32.8 cm
Width	8.0 in / 20.3 cm
Height	3.3 in / 8.3 cm
Clearance	1.0 in / 2.5 cm all around
Weight	16.0 lb / 7.3 kg
Material and Finish	Marine grade black anodized aluminum
Fasteners	18-8 stainless steel
Input Connection	CNLINKO YM-20-J03SX-01-001 connector c/w protective cover
Output Connection	CNLINKO IP67 YM-20-C02SX-01-001 connector c/w protective cover
Other Connections	Data/Communication: MicroUSB port c/w protective cover Remote Control: RJ45 connector with proprietary pin-out c/w protective cover

ENVIRONMENTAL AND SAFETY

Operating Temperature	-25°C to +40°C @ Full load (Expanded -40°C to +55°C range available)
Storage Temperature	-55°C to +105°C
Packaging	Sealed to meet IP66
Humidity	0 - 95% relative humidity (non-condensing) with standard conformal coating
Audible Noise	None, 0dB @ 3 ft
Typical Service Life	> 10 years (87,600 hrs)
Isolation	Input to Chassis: <1100VDC. Input to Output, Output to Chassis: <1500 VAC
Warranty	Three Years Parts and Labor
Safety	Complies with FCC Class B, Part 15

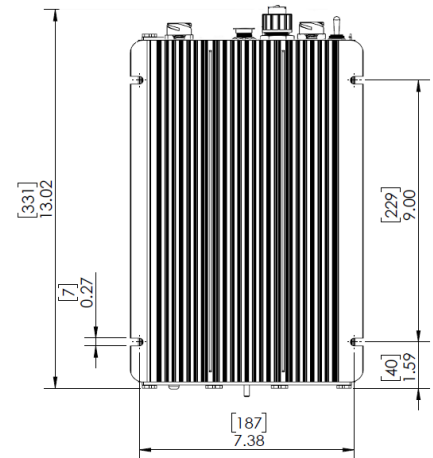
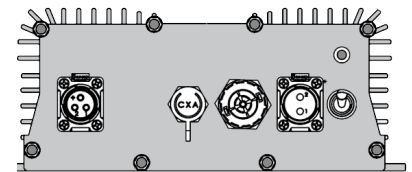
OPTIONS

IP67: Sealed to meet the IP67 rating with in-house testing and certification

Special Safety Inspection: Inspected and certified to meet CSA C22.2 No.107.1 and UL 458

Off-line UPS: Built with AC Input and Line AC Detect & Autoswitch UPS

DIMENSIONS



ANALYTIC SYSTEM
Power Conversion Solutions



Analyticsystems.com



Sales@analyticsystems.com



604.946.9981 800.668.3884



101-8128 River Way
Delta, B.C. V4G 1K5