

IPSi1205/IPSi2405
HIGH VOLTAGE PURESINE INVERTERS

The IPSi1205/2405 series High Voltage Inverters are designed specifically for powering on-board computers and other sensitive AC loads from high voltage (205-390 VDC) DC power sources. The transformer-based design also allows the unit to provide double the rated power for a few seconds which means that it can start up electric motors, shop vacuums, air conditioners and other difficult AC loads.

This unit is controlled by a Digital Signal Processor for optimal control and operation. It's heavy-duty toroidal power transformer steps up the low AC voltage produced by the MOSFET transistors to either 110 or 220VAC at 50 or 60 Hz, identical to a conventional AC outlet. Additional output filtering eliminates noise that could potentially interfere with sensitive communications equipment.

Designed for service in extreme environments, this unit is IPX1 splash-resistant and IP4Y dust-resistant. This unit has also been designed to meet the MIL-STD810h standards for operating temperature range and shock and vibration protection.

Built for maximum safety and reliability, the unit features current limiting, feedback protection, short circuit protection, over temperature detection with shutdown and undervoltage/overvoltage detection with shutdown (thresholds user-adjustable).

2 YEAR WARRANTY

Available models

Input

200-390 VDC

Output

110VAC

220VAC

Applications



IPSi1205/2405 | HIGH VOLTAGE PURESINE INVERTERS

INPUT

Input Voltage Range	205 to 390 VDC
Maximum Input Current	< 20 A
Reverse Polarity Protection	Yes
Undervoltage Input Threshold	< 180 VDC
Oversvoltage Input Threshold	> 390 VDC

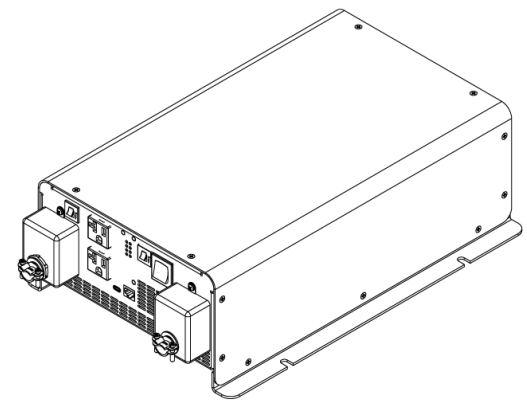
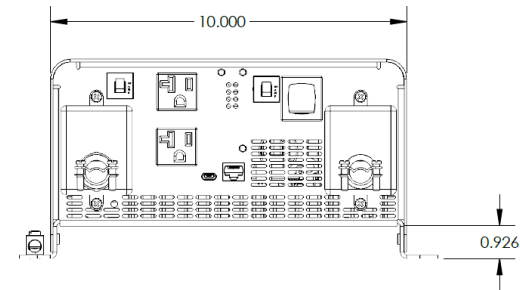
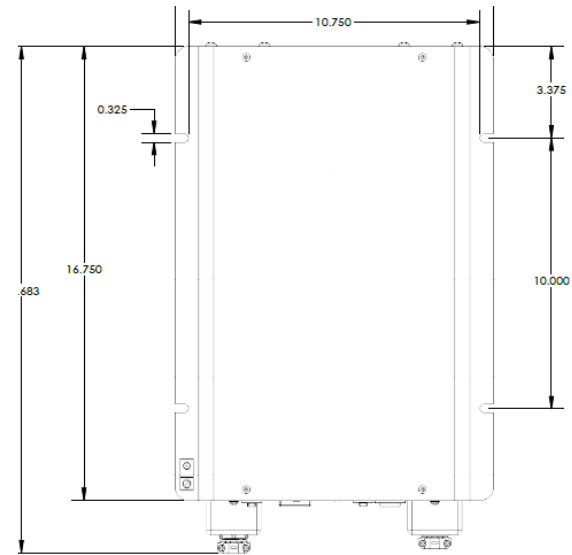
OUTPUT

Nominal Output Voltage	110 ± 2 VAC		220 ± 4 VAC	
Output Amps (Continuous)	IPSi1205	IPSi2405	IPSi1205	IPSi2405
	10.0 A	20.0 A	5.0 A	10.0 A
Output Amps (Peak)	20.0 A	40.0 A	10.0 A	20.0 A
	Duty Cycle: Capable of 2x Maximum Output Power for 10 sec			
Maximum Power Output	1205 Series: 1200 W			
	2405 Series: 2400 W			
Full Load Efficiency	>80% (Regardless of input/output voltage)			
Output Frequency	50.00 or 60.00 ± <1 Hz			

ENVIRONMENTAL/MECHANICAL

Emissions	Designed to meet FCC Part 15, Class A
Shock and Vibration	Designed to meet MIL-STD810H
ROHS3 Compliant	Yes
Weight	52.5 lb / 24.0 kg (Approximate)
Operating Temperature Range	-40°C to +55°C
Length	18.68 in / 47.45 cm
Width	11.75 in / 29.85 cm
Height	5.60 in / 14.22cm
Clearance	1.00 in / 2.54 cm (all around)
Material	Marine grade aluminum
Finish	Black powder epoxy/Black anodized
Fastenings	18-8 Stainless steel
Connectors	AC OUT 1: 2x NEMA 5-20 AC receptacle 739W-X2/20 AC OUT 2: 3x Phoenix VDFK-4 Terminal Block (Black: Hot, Green: Ground, Grey: Neutral) DC IN: 2x Phoenix VDFK-4 Terminal Block (Red: Positive and Black: Negative)

DIMENSIONS



Note: Specifications are subject to change without notice.



ANALYTIC SYSTEM
Power Conversion Solutions



Analyticsystems.com



Sales@analyticsystems.com



604.946.9981 800.668.3884



101-8128 River Way
Delta, B.C. V4G 1K5