



Low Voltage Warning and Shutdown

Over Voltage and Over Temperature Protection

Short Circuit Protection

Programmable Frequency

DSP Controlled

Adjustable Output Voltage



IPSi1200 INTELLIGENT PURE SINE INVERTER

The IPSi1200 series Intelligent Pure Sinewave Inverter is designed specifically for powering computers and other sensitive AC loads in rugged, mobile, off-grid environments. It produces pure sinewave AC power, identical to that from a conventional AC mains outlet.

Internally, the IPSi1200 is controlled by a sophisticated Digital Signal Processor (DSP) for optimal control and the most efficient operation. The heavy-duty Toroidal Power Transformer steps the low voltage AC produced by the Power MOSFET Transistors to 110 or 220 VAC at 50 or 60 Hz. Additional filtering on the output reduces and eliminates EMI noise that can interfere with sensitive communications equipment.

Built for the safety and reliability, this unit features low input voltage warning with shutdown circuitry to protect the power source. While the Inverter is safeguarded by high voltage protection and over temperature protection both with shutdown circuitry. All alarm conditions can be monitored on the bright LED indicator display on the unit's front panel.

Using the free-to-download *InverterWizard* software from Analytic Systems, you can select output frequency, adjust the voltage shutdown thresholds and view/record the unit's operating data from any PC with a standard USB interface.

3 YEAR WARRANTY



Available models

Input

12 VDC
24, 28, 32 or 36 VDC
48 or 72 (Rail) VDC

Output

110 VAC, 50 or 60 Hz
220 VAC, 50 or 60 Hz

Applications



IPSi1200 | INTELLIGENT PURESINE INVERTER

INPUT

	-12	-24	-48
Nominal Voltage	12 VDC	24, 28, 32 or 36 VDC	48 or 72 VDC
Actual Voltage	10.5-16 VDC	20-45 VDC	40-80 VDC
Input Amps (max)	152 A	84 A	46 A
Input Fuse	External fuse required, not supplied.		

OUTPUT

	-110	-220
Nominal Voltage	110 ± 2 VAC	220 ± 4 VAC
Output Volts Adjust Range	± 10 VAC	± 20 VAC
Output Amps (max)	10A (cont.) / 12A (peak)	5A (cont.) / 6A (peak)
Output Frequency	50.00 or 60.00 Hz ± 0.1 Hz (user-selectable)	
Output Distortion	< 2% at 1200 Watts into resistive load	
Regulation (Line & Load)	< +/- 2.0%	
Duty Cycle	Continuous: 100% for 24 hours per day / Peak: 10% for 1 minute	
Efficiency	> 90% @ Maximum Output	
Transfer Time	<19 milliseconds (Off-line UPS Option)	

MECHANICAL

Length	12.3 in / 31.2 cm
Width	9.4 in / 23.9 cm (including lifting handles)
Height	7.8 in / 19.8 cm
Clearance	1 in / 2.5 cm (all around)
Weight	30.0 lb / 13.6 kg (estimated)
Material and Finish	Black Anodized Marine Grade Aluminum
Fastenings	18-8 Stainless Steel

ENVIRONMENTAL AND SAFETY

Operating Temperature Range	-25°C to +40°C @ continuous output
Isolation	Input-Output, Output-Case, and Input-Case: 1500 VDC
Audible Noise	34.5 dB @ 3ft / 1m
Input Connections	DC Input: Marathon ST722B2502UH, 175 Amp, 300V Rating c/w Protective Snap On Cover AC Input: Green, Gray and Black Phoenix VDFK 4 Feed Through Connector (Off-line UPS Option only)
Output Connections	AC Output (1): Green, Gray and Black Phoenix VDFK 4 Feed Through Connector AC Output (2): NEMA 5-15 Receptacle
Warranty	3 Years Parts and Labor

OPTIONS

Offline UPS Functionality

COTS - MIL461F and MIL810G in-house testing and report for each unit

Heavy-duty Ruggedization

Safety Special Inspection (CSA/UL)

ALTERNATIVE 220V OUTLETS



North America 220V Outlet (220N Option)

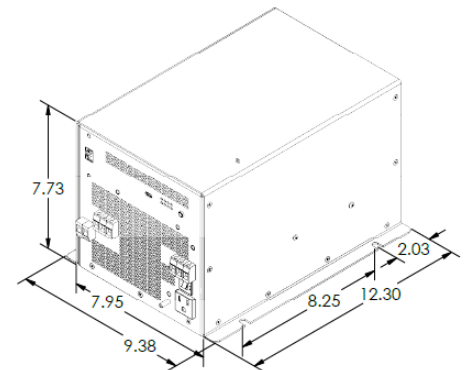


Worldwide 220V Outlet (220W Option)



Hard Wired Connection (Can be combined with any outlet)

DIMENSIONS



ANALYTIC SYSTEMS
Power Conversion Solutions

AnalyticSystems.com

Sales@AnalyticSystems.com

604.946.9981 800.668.3884

8128 River Way
Delta, B.C. V4G 1K5