

Low Voltage Warning and Shutdown

Over Voltage and Over Temperature Protection

Short Circuit Protection

Programmable Frequency

DSP Controlled

Adjustable Output Voltage



IPSi1200-125 INTELLIGENT PURE SINE INVERTER

The IPSi1200 series Intelligent Pure Sinewave Inverter is designed specifically for powering computers and other sensitive AC loads in rugged, mobile, off-grid environments. It produces pure sinewave AC power, identical to that from a conventional AC outlet.

Internally, the IPSi1200 is controlled by a sophisticated Digital Signal Processor (DSP) for optimal control and the most efficient operation. The heavy-duty Toroidal Power Transformer steps the low voltage AC produced by the Power MOSFET Transistors to 110 or 220 VAC at 50 or 60 Hz. Additional filtering on the output reduces and eliminates EMI noise that can interfere with sensitive communications equipment.

Built for the safety and reliability, this unit features low input voltage warning with shutdown circuitry to protect the power source. While the Inverter is safeguarded by high voltage protection and over temperature protection both with shutdown circuitry. All alarm conditions can be monitored on the bright LED indicator display on the unit's front panel.

Using the free-to-download *InverterWizard* software from Analytic Systems, you can select output frequency, adjust the voltage shutdown thresholds and view/record the unit's operating data from any PC with a standard USB interface.

3 YEAR WARRANTY



Available models

Input

125 VDC

Output

110 VAC, 50 or 60 Hz
220 VAC, 50 or 60 Hz

Applications



IPSi1200-125 | INTELLIGENT PURESINE INVERTER

INPUT -125

Nominal Voltage	125 VDC
Actual Voltage	100-140 VDC
Input Amps (max)	16 A
Input Fuse	External fuse required, not supplied

OUTPUT -110V -220V

Nominal Voltage	110 ± 2 VAC	220 ± 4 VAC
Output Voltage Adjust Range	± 10 VAC	± 20 VAC
Output Amps (max)	10A (cont.) / 12A (peak)	5A (cont.) / 6A (peak)
Output Frequency	50.00 or 60.00 Hz ± 0.01 Hz (user selectable)	
Output Distortion	< 2% at 1200 Watts into resistive load	
Regulation (Line & Load)	< +/- 2.0%	
Duty Cycle	Continuous: 100% for 24 hours per day / Peak: 10% for 1 minute	
Efficiency	> 90% @ Maximum Output	
Transfer Time	< 19 milliseconds (Off-line UPS Option)	

MECHANICAL

Length	12.3 in / 31.2 cm
Width	9.4 in / 23.9 cm (including lifting handles)
Height	7.8 in / 19.8 cm
Clearance	1.0 in / 2.5 cm (all around)
Weight	30.0 lb / 13.6 kg (estimated)
Material and Finish	Black Anodized Marine Grade Aluminum
Fastenings	18-8 Stainless Steel

ENVIRONMENTAL AND SAFETY

Operating Temperature Range	-25°C to +40°C @ Continuous Output
Isolation	Input-Output, Output-Case, and Input-Case: 1500 VDC
Input Connections	DC Input: Red and Black Phoenix VDFK 4 Feed Through Connectors AC Input: Green, Gray, and Black Phoenix VDFK 4 Feed Through Connectors (Off-line UPS Option)
Output Connections	AC Output (1): Green, Gray, and Black Phoenix VDFK 4 Feed Through Connectors AC Output (2): NEMA 5-15 Receptacle
Audible Noise	34.5 dB @ 3 feet / 1 meter
Warranty	3 Years Parts and Labor

OPTIONS

Offline UPS Functionality

COTS - MIL461F and MIL810G in-house testing with report for each unit

Heavy-duty Ruggedization

Safety Special Inspection (CSA/UL)

ALTERNATIVE 220V OUTLETS



North America 220V Outlet (220N Option)

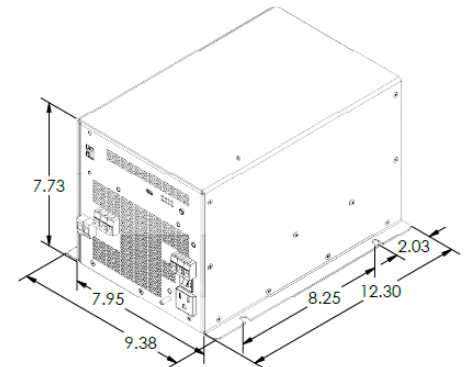


Worldwide 220V Outlet (220W Option)



Hard Wired Connection (Can be combined with any outlet)

DIMENSIONS



ANALYTIC SYSTEMS
Power Conversion Solutions

🌐 AnalyticSystems.com

@ Sales@AnalyticSystems.com

☎ 604.946.9981 800.668.3884

✉ 8128 River Way
Delta, B.C. V4G 1K5