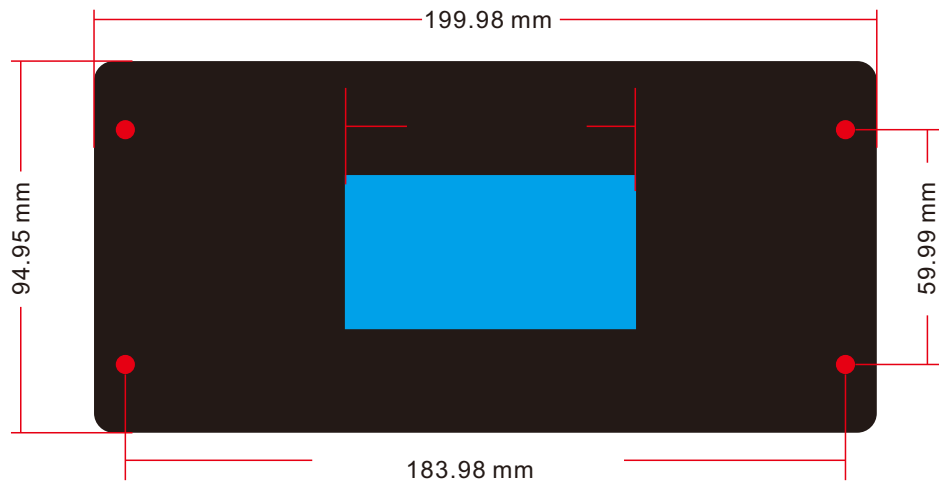
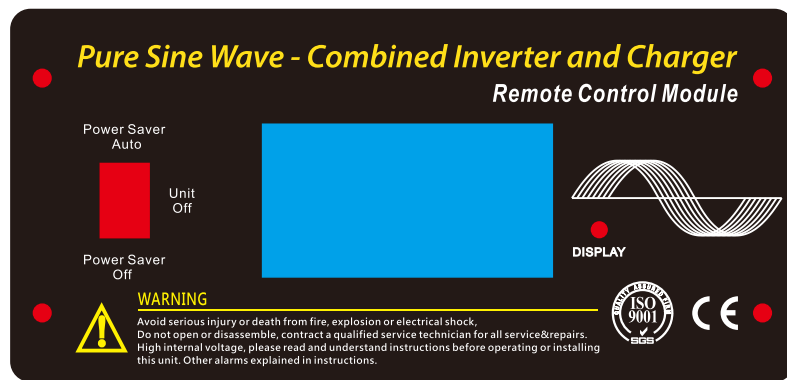


Remote Control Module Instruction

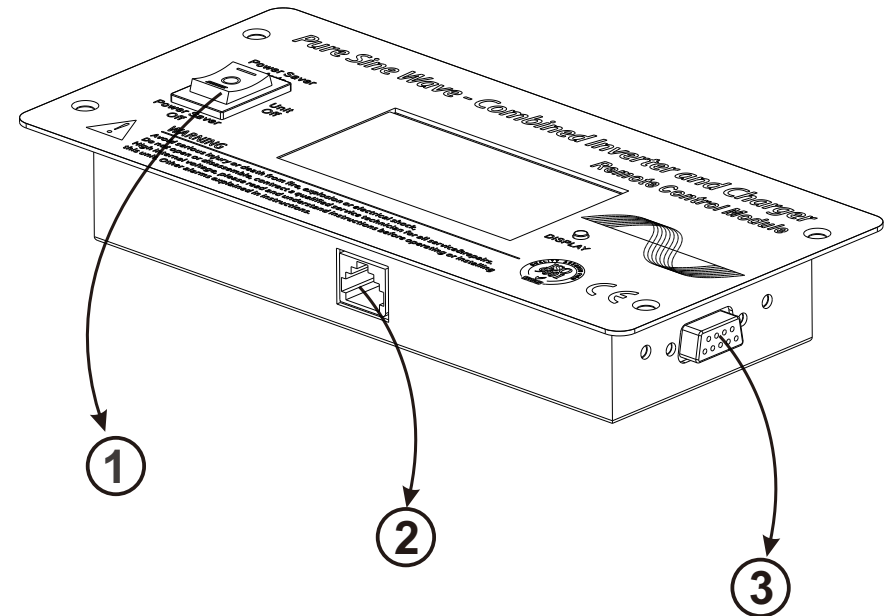


1. Overall Dimensions



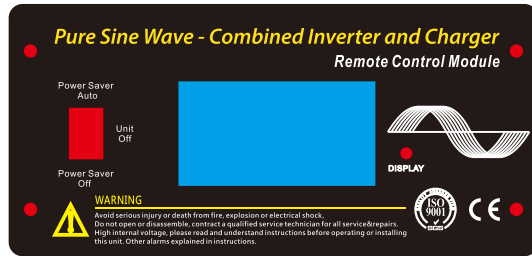
2. Front Impression Drawing

3. Function Description Drawing



- ① Power Switch ON&OFF
- ② RJ45 Port (Remote Control)
- ③ RS232 Port (Optional)

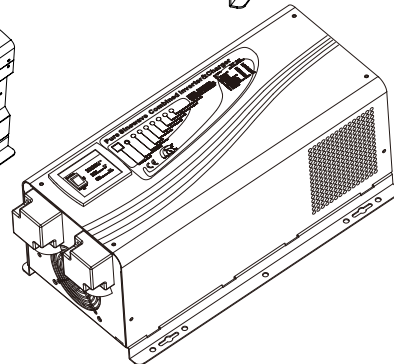
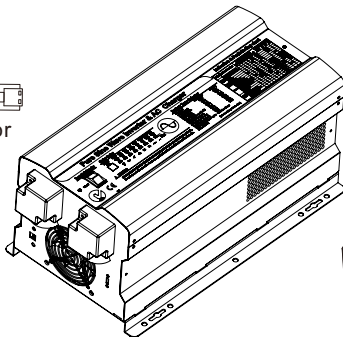
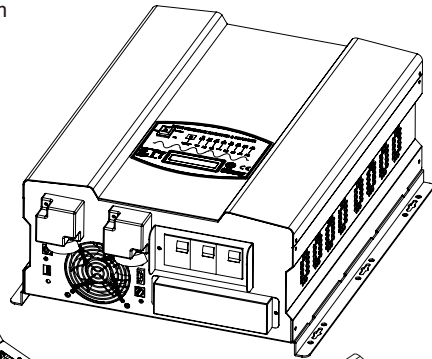
4. Connection Diagram



RJ45 connector

length 10m

Only For RJ45 connector



5. LCD Display

SYSTEM OVERVIEW

Input AC: 000 V Output AC: 000 V

Batt DC: 0000 V Output Freq: 0000Hz

Output Load: 000% Work mode: Online

Alarm: NO

Fault: NO



Input Ac: Real AC Input Line Voltage

Batt Dc: Real Battery Voltage Or Charging Voltage

Output Load: Real AC Load Percentage

Alarm: Yes Or No (Ref Manual)

Fault: Yes Or No (Ref Manual)

Output Ac: Real AC Output Voltage

Output Freq: 50Hz Or 60Hz

Work Mode: Online Or Inverter



Battery level indicate