

Waterproof Epoxy Sealed Construction



Easy Connection

Most Efficient use of Available Alternator Output



Maximize Battery Performance

IBI SERIES IDEAL BATTERY ISOLATORS

Analytic Systems introduces the IBI (Ideal Battery Isolator) for 1, 2 and 3 bank battery systems, allowing all the batteries to be fully charged from a single alternator while maintaining electrical isolation between the battery banks or between a vehicle and trailer.

Ideal Diode technology uses MosFet Transistors and control circuitry to replace the diode used in a traditional battery isolator and reduces the voltage drop across the isolator to a mere 160 millivolts at 200 Amps of charging current and essentially zero volts at low current, so all the power of the alternator is applied to the batteries ensuring a full recharge every time.

While the Ideal Battery Isolator is designed to be used with an alternator, it can also be used to convert a single bank battery charger to a 2 or 3 bank charger or as a pure diode between a vehicle and trailer or other remote load.

3 YEAR WARRANTY



Available models

IB11-40-200	IB11-40-280	IB11-40-340
IB12-40-200	IB12H-40-280	IB13-40-200

Applications



IBI SERIES | IDEAL BATTERY ISOLATORS

MODEL

Model	IBI1-40-200	IBI1-40-280	IBI1-40-340	IBI2-40-200	IBI2H-40-280	IBI3-40-200
-------	-------------	-------------	-------------	-------------	--------------	-------------

ELECTRICAL

Voltage	10 - 40 VDC for 12, 24, 28 or 32 V Battery Systems					
Current (Amps)	0 - 200	0 - 280	0 - 340	0 - 200	0 - 200 Starting 0 - 280 House	0 - 200
Number of Battery Banks	1	1	1	2	2	3
Temperature Rise	< 40C at Maximum Continuous Current					
Isolation	None - Chassis connected to Battery Negative					

MECHANICAL

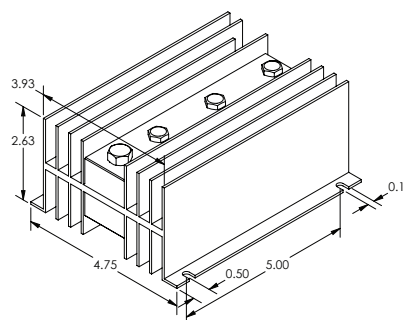
Length	6.0 in / 152.2 cm
Width	4.8 in / 12.2 cm
Height	2.6 in / 6.6 cm
Clearance	1 in (2.5 cm) all around
Material	Marine Grade Aluminum
Finish	Black, Red or Blue Anodize / Epoxy Potting
Fastenings	All Silicone Bronze
Weight	2.0 lbs / 0.9 kg
Connections	Alternator Positive, Battery Positive (x1 for IBI1, x2 for IBI2; x3 for IBI3), Control Ground
Warranty	Three years

OPTIONS




Three colours




DIMENSIONS



ANALYTIC SYSTEMS
Power Conversion Solutions

 AnalyticSystems.com
 sales@analyticsystems.com
 604.946.9981 800.668.3884

 8128 River Way
 Delta BC V4G 1K5