

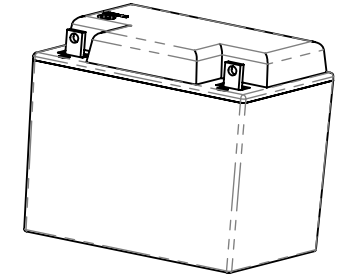
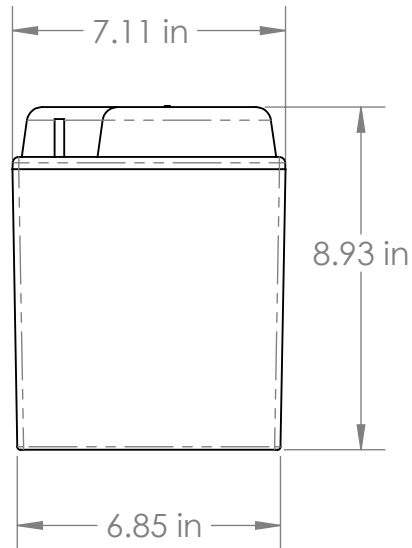
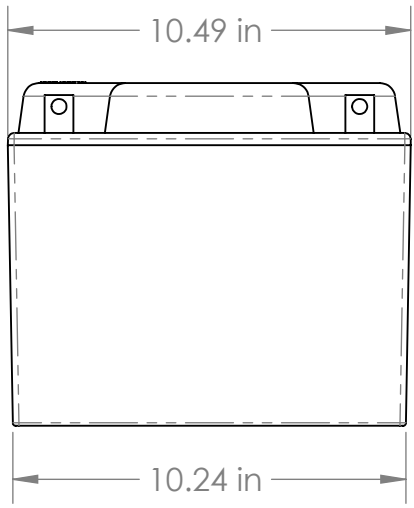
2

1

REVISIONS				
ZONE	REV.	DESCRIPTION	DATE	APPROVED
	A	CUSTOMER DRAWING	05/13/2021	

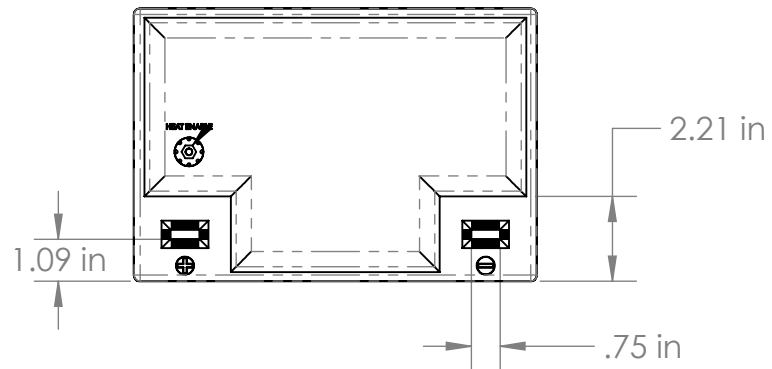
B

B



A

A



PROPRIETARY AND CONFIDENTIAL
 THE INFORMATION CONTAINED IN THIS DRAWING IS THE SOLE PROPERTY OF DRAGONFLY ENERGY INC. ANY REPRODUCTION IN PART OR AS A WHOLE WITHOUT THE WRITTEN PERMISSION OF DRAGONFLY ENERGY INC IS PROHIBITED.

MATERIAL:
 FINISH:

DIMENSIONS ARE IN: INCHES
 TOLERANCES:
 0.X: ±
 0.XX: ±
 0.XXX: ±
 ANGULAR: ±°

DRAGONFLY ENERGY INC.				
PART NUMBER:				
SIZE	DRAWN	CHECKED	DATE	REV
A			5/13/2021	
SCALE: 1:5			SHEET 1 OF 1	

2

1