

REVISIONS		
REV	DESCRIPTION	DATE

MATERIAL

FINISH

DRAWING INTERPRETATIONS	
PROJECTIONS 	DIMENSIONS INCHES MILLIMETERS

UNSPECIFIED TOLERANCES
DECIMALS ±.020 (±.510 mm); ANGULAR ±1°

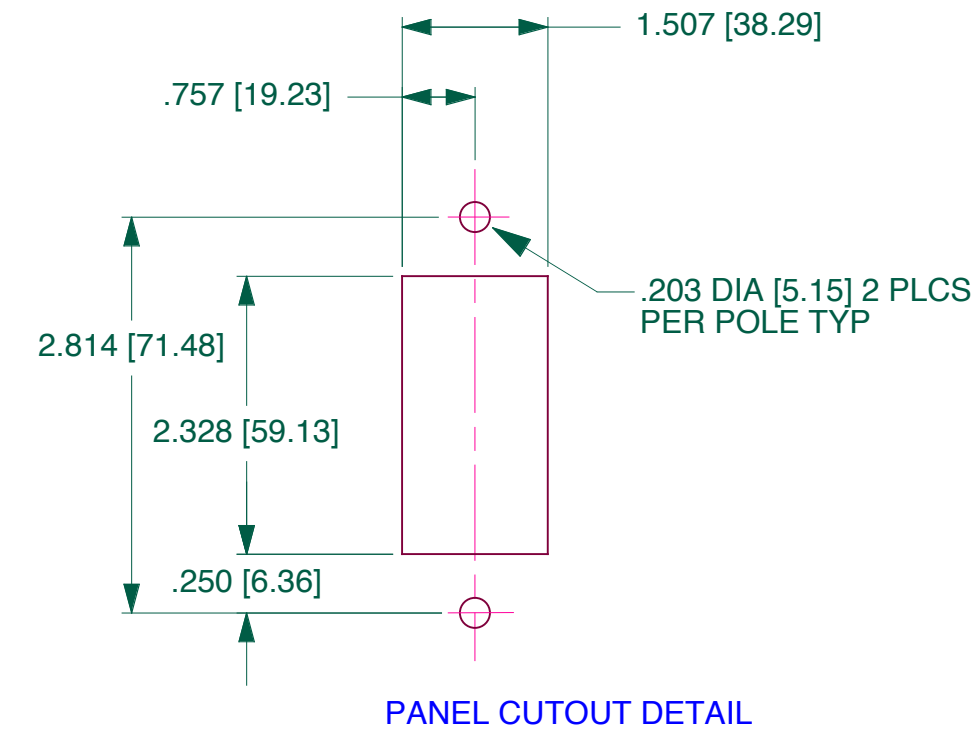
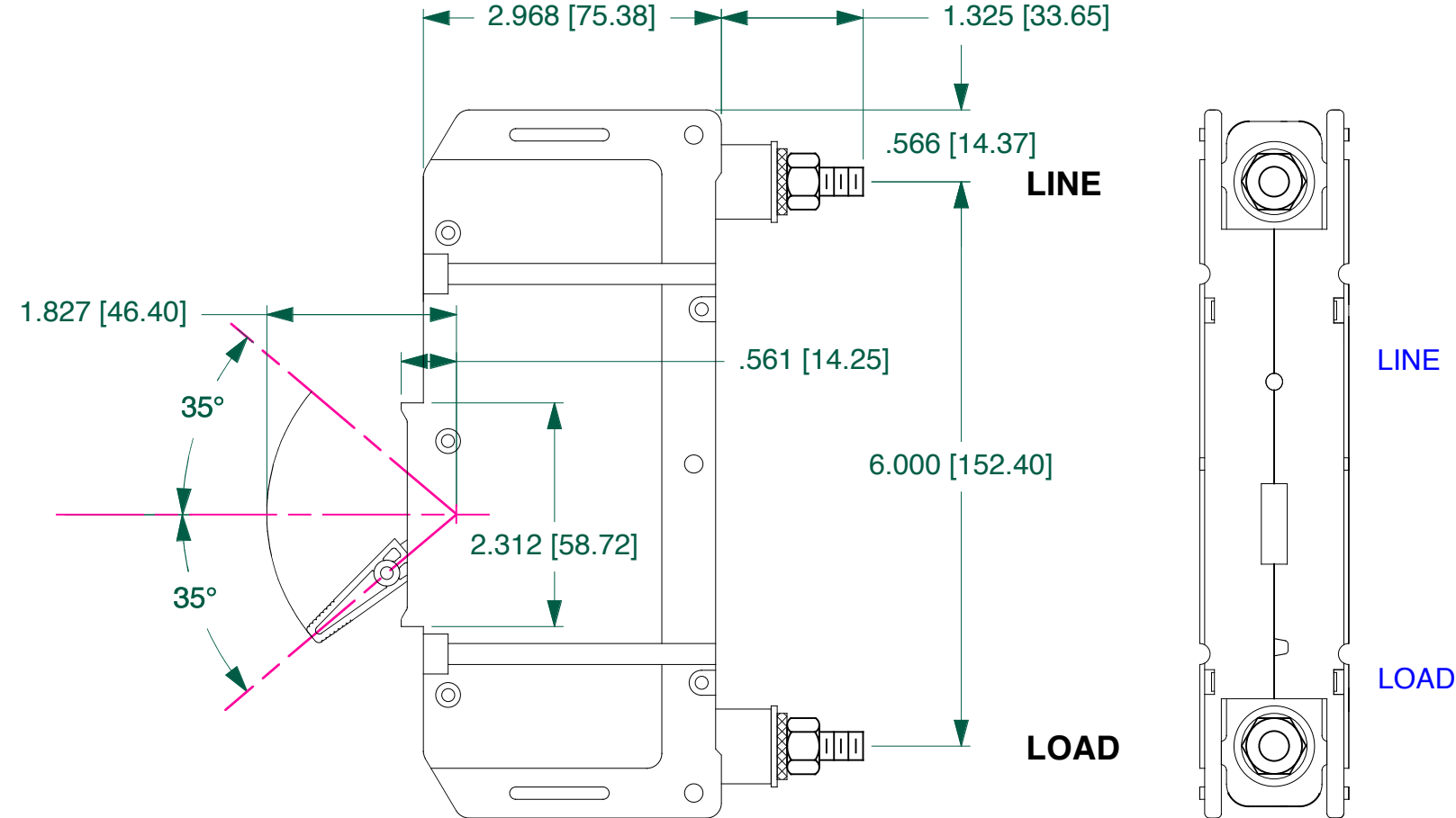
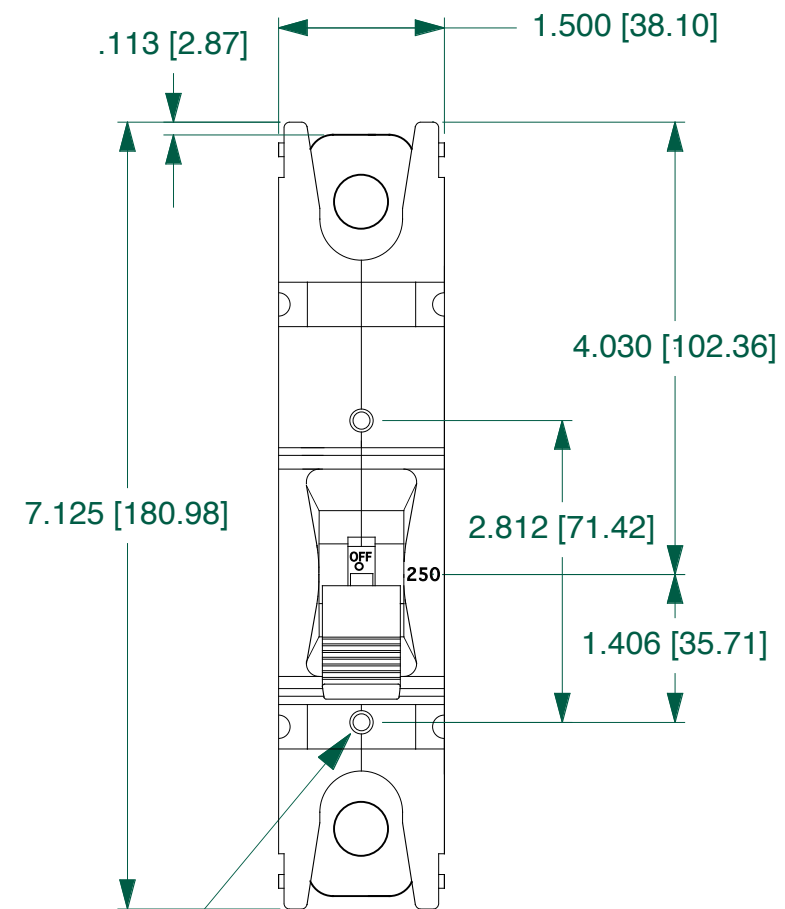
DRAWN BY: MM 4-18-13	CHECKED BY:	SCALE
APPROVED BY:	DATE APPROVED	

DO NOT SCALE DRAWING

TITLE
"F" SERIES
CIRCUIT BREAKER

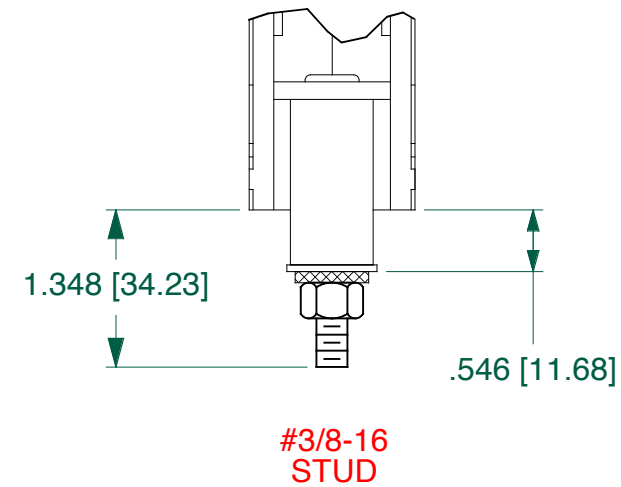
CARLINGSWITCH, INC.
CIRCUIT BREAKER DIVISION
PLAINVILLE, CT

SIZE B	DRAWING NO. FA1-B0-16-825-12A-BG	REV 01
SHEET OF		SHEET 1 OF 1



LABEL INFORMATION:

FL. AMPS 250
 MAX VOLTS 125
 HERTZ DC
 DELAY 16 (LONG)
 CIRCUIT: B0 (SERIES)
 TRIP AMPS 313
 SPECIAL PURPOSE NOT FOR GENERAL USE



CONTROL SYMBOLS	
	CRITICAL
	MAJOR

TOOL NO.	REV
REFERENCE NO.	
SHEET OF	