

EG4



EG4[®] 36K BTU HYBRID MULTIZONE MINI-SPLIT

Technical Specification Sheet

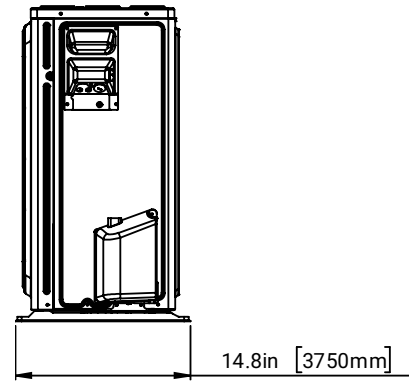
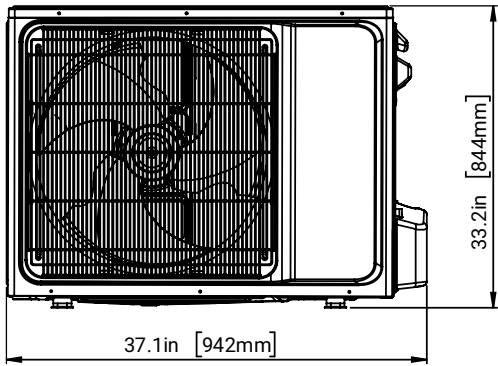
Engineered to deliver efficient heating and cooling from multiple power sources, the EG4 36K Multi-Zone Mini-Split is a DIY friendly whole-home climate control solution. Capable of running off direct DC current from solar connection, a 240V AC connection or a blend of the two, the system can provide reliable comfort regardless of utility availability and with high energy efficiency. With up to three cooling zones, the unit can deliver whole home cooling or heating up to 2,000 ft² or targeted control of select spaces in the property.

Included pre-charged line sets allow the unit to be deployed with no specialized tools, with pre-charged extension kits available to extend refrigerated lines up to 120 ft. Once installed each unit can be programmed to optimize energy consumption while maintaining performance across four-season climates.

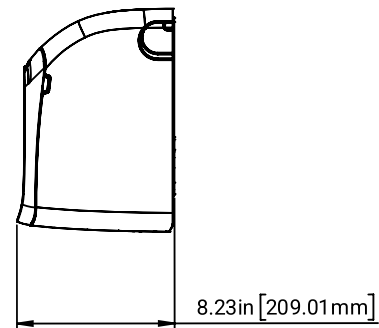
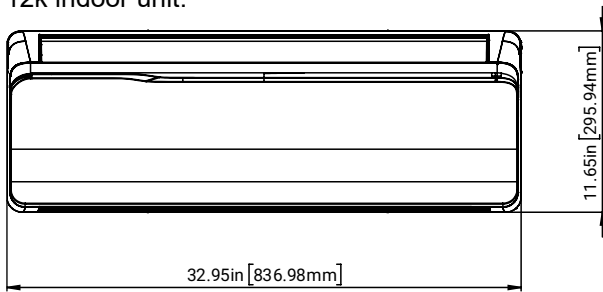


EG4[®] 36K BTU HYBRID MULTIZONE MINI-SPLIT

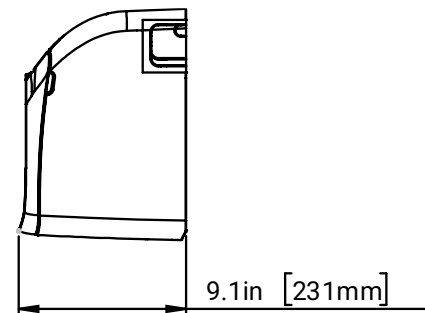
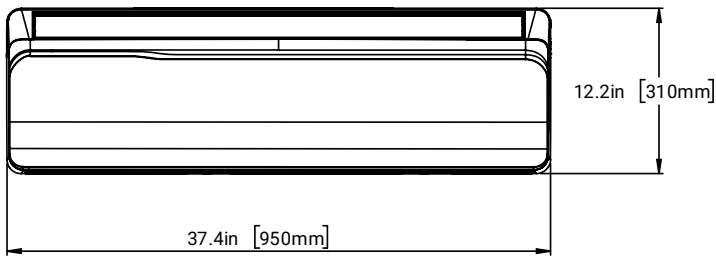
EG4® 36K BTU HYBRID MULTIZONE MINI-SPLIT



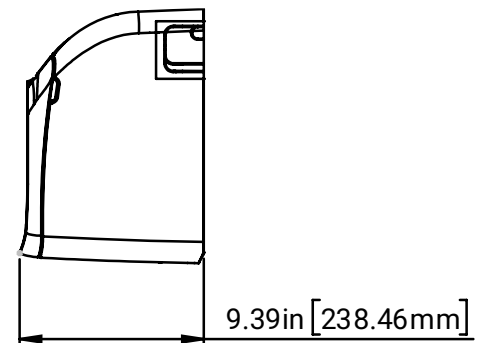
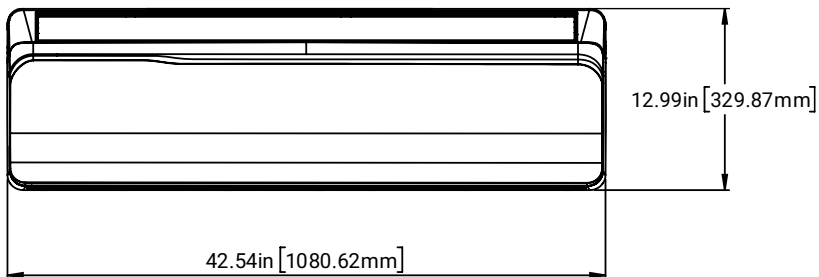
12k indoor unit:



18k indoor unit:



24k indoor unit:



EG4® 36K BTU HYBRID MULTIZONE MINI-SPLIT

Technical Specifications



Applications Supported	High Efficiency Climate Control Multi Zone Heating or Cooling Solar Only Power
Cooling Performance Specifications	
Cooling Capacity	36,000 BTU/h
Operating Range	8,500 – 41,300 BTU/h
Rated Input Power	2920W
Rated AC Current	18.88 – 20.39A
EER2	12.3
SEER	22.45
SEER2	22.5
Cooling Ambient Temperature Range	5 – 125°F (-15 – 52°C)
Heating Performance Specifications	
Heating Capacity	36,000 BTU/h
Operating Range	9,100 – 41,000 BTU/h
Rated Power	2620W
Rated AC Current	18.44 – 20.39A
COP	13.7
HSPF	11.4
HSPF2	10
Heating Ambient Temperature Range	5 – 75°F (-15 – 24°C)



Power Source Specifications

AC Input Voltage	208 – 240 VAC
Frequency	60Hz
Rated AC Current	Cooling: 18.88 – 20.9A Heating: 18.44 – 20.39A
AC Input Power	Cooling: 2920W Heating: 2620W
AC Breaker Size	32A
Recommended Solar Power	4 pcs x 550W + 4 pcs x 550W
Available MPPTs	2
MPPT Tracking Range	105 – 360 VDC
MPPT Startup Voltage	120 VDC
Maximum PV DC Input	410 VOC
PV Current Range	4.16 – 13A
Maximum PV Input Current	13A per MPPT
Maximum Short-Circuit Current	20A per MPPT



Indoor Unit Mechanical and Environmental Specifications

Available Capacities	12k 18k 24k
Recommended Room Size	12k: 300 – 500 ft ²
	18k: 600 – 800 ft ²
	24k: 1000 – 1250 ft ²
Product Dimensions (H x W x D)	12k: 33.1 x 8.1 x 11.6 in. (840 x 205 x 295 mm)
	18k: 37.4 x 9.1 x 12.2 in. (950 x 231 x 310 mm)
	24k: 42.5 x 9.3 x 13 in. (1080 x 236 x 330 mm)
Product Weight	12k: 21 lbs.
	18k: 26.5 lbs.
	24k: 33.1 lbs.
Maximum Airflow	12k: 365 CFM
	18k: 559 CFM
	24k: 765 CFM
Maximum Operating Noise	50 dB
Operating Noise Range	43 – 50 dB



Outdoor Unit Mechanical and Environmental Specifications

Product Dimensions (H x W x D)	37.1 x 14.8 x 33.2 in. (942.3 x 376 x 843 mm)
Product Weight	172 lbs.
Maximum Indoor Units	4
Minimum Indoor Units	1
Operating Temperature (Cooling)	5 – 125°F (-15 – 52°C)
Operating Temperature (Heating)	5 – 75°F (-15 – 24°C)
Operating Noise	60 dB

System Details

System Refrigerant	R32
Pre-Charged Refrigerant Line Length	16.4 ft.
Maximum Refrigerant Line Length per Indoor Unit	114 ft.
Maximum Elevation between Air Handler and Compressor	49 ft.
Maximum Elevation between Air Handlers	32 ft.
System Control	Included Remote Solar Aircon App
Communication Cable	18 AWG * 4 Stranded
Warranty	5 year limited

CHANGELOG

Revision	Date	Description of change
Version 1.0	4-15-26	Initial release
Version 1.0.1	4-20-26	Added "EER2" value to spec sheet

EG4

ELECTRONICS

support@eg4electronics.com
(903) 609-1988
www.eg4electronics.com