

Solis-MLRSD-R(1-2)-1G

Solis Module Level Rapid Shutdown Device

Ginlong Solis Module Level Rapid Shutdown



Features:

- ▶ Fully complies with UL1741 and NEC 2017:690.12 requirements
- ▶ Shuts down PV system within 10 seconds
- ▶ Simple PLC signal control solution with high reliability and low cost
- ▶ Easy to install with PV modules
- ▶ Dual IGBT disconnection with redundant protection
- ▶ Reliable safe-test function

Datasheet

Model	Solis-MLRSD-R1-1G	Solis-MLRSD-R2-1G
-------	-------------------	-------------------

Input

Rated DC input power (watts)	370	370*2
Max. input voltage at lowest temperature (volts)	60	60
Operation voltage range (volts)	12-60	12-60
Max. input current (amps)	11	11*2
Max. short circuit current (amps)	13.75	13.75*2
Max. efficiency	99.5%	99.5%

Output

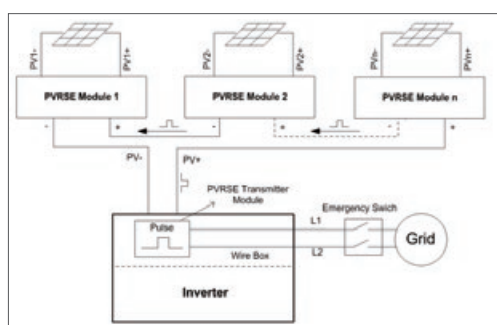
Output power range (watts)	370	740
Output voltage range (volts)	0-120	0-120
Max. output current (amps)	11	11

General data

Max. system voltage (volts)	1000	1000
Dimensions (length*width*height)	169*186*29.2mm	169*186*29.2mm
Weight (including cables)	1.70 lbs (0.77kgs)	1.70 lbs (0.77 kgs)
Input connector	MC4	MC4
Output wire type connector	MC4	MC4
Output wire length	1.2m	1.2m
Operating temperature range	40 to 185°F (-40 to 85°C)	40 to 185°F (-40 to 85°C)
Protection rating	IP68/NEMA6P	IP68/NEMA6P
Relative humidity	0-100%	0-100%

Solis-MLRSD-R1-1G

Connection Diagram
(One MLRSD with one PV module)



Solis-MLRSD-R2-1G

Connection Diagram
(One MLRSD with Two PV Module)

