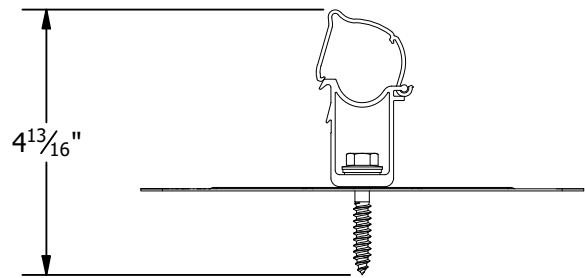
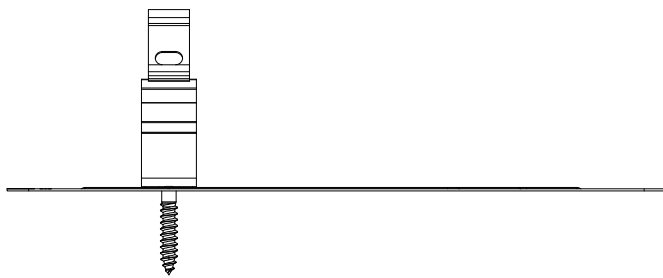
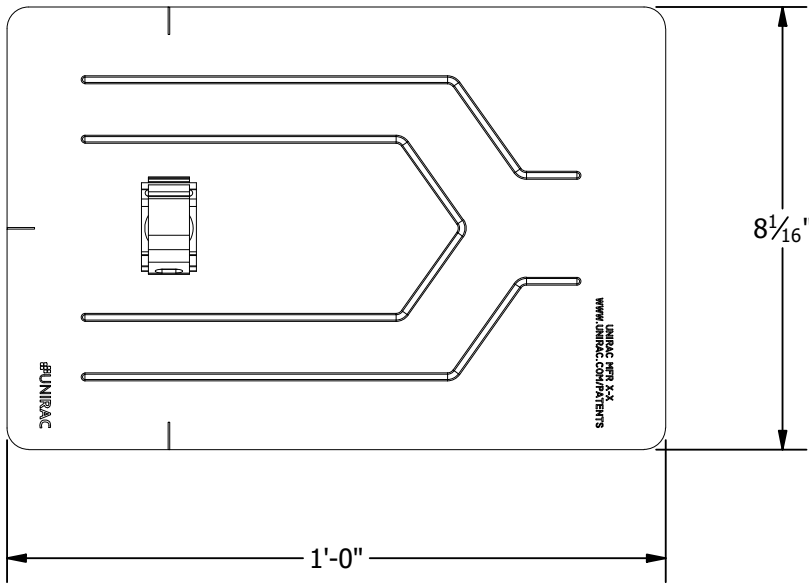
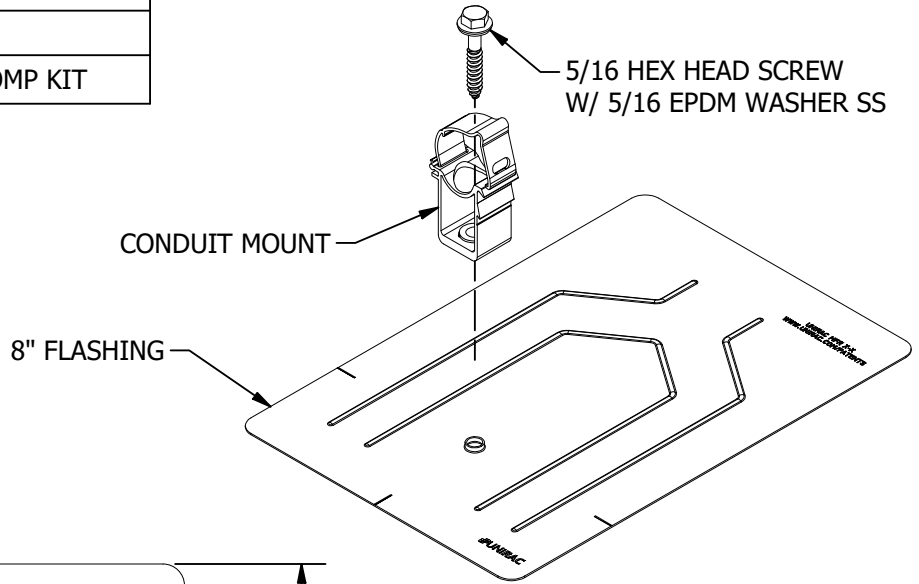


| PART # TABLE |                               |
|--------------|-------------------------------|
| P/N          | DESCRIPTION                   |
| 00802CM      | E-BOSS CONDUIT MOUNT COMP KIT |



1411 BROADWAY BLVD. NE  
ALBUQUERQUE, NM 87102 USA  
PHONE: 505.242.6411  
WWW.UNIRAC.COM

|                |                |
|----------------|----------------|
| PRODUCT LINE:  | E-BOSS         |
| DRAWING TYPE:  | PARTS ASSEMBLY |
| DESCRIPTION:   | CONDUIT MT KIT |
| REVISION DATE: | 6/24/2019      |

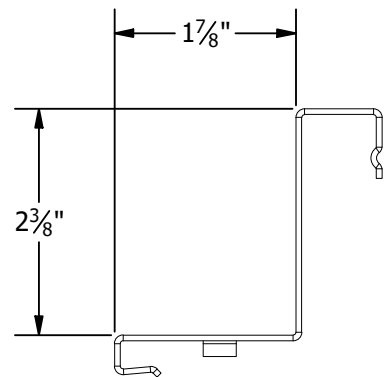
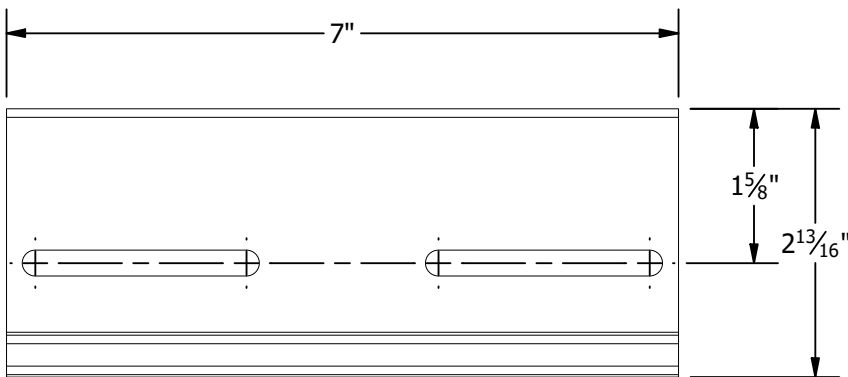
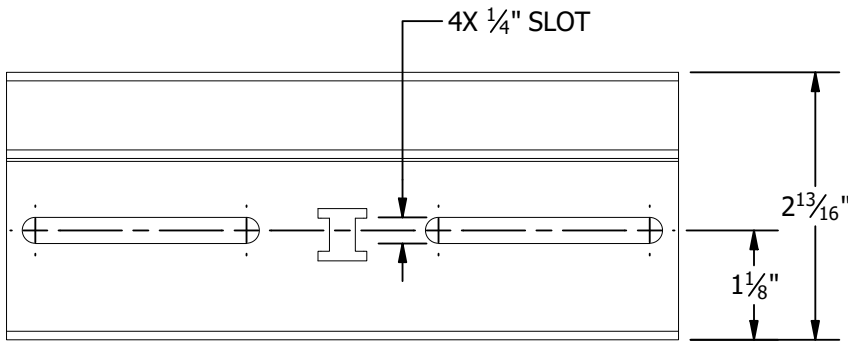
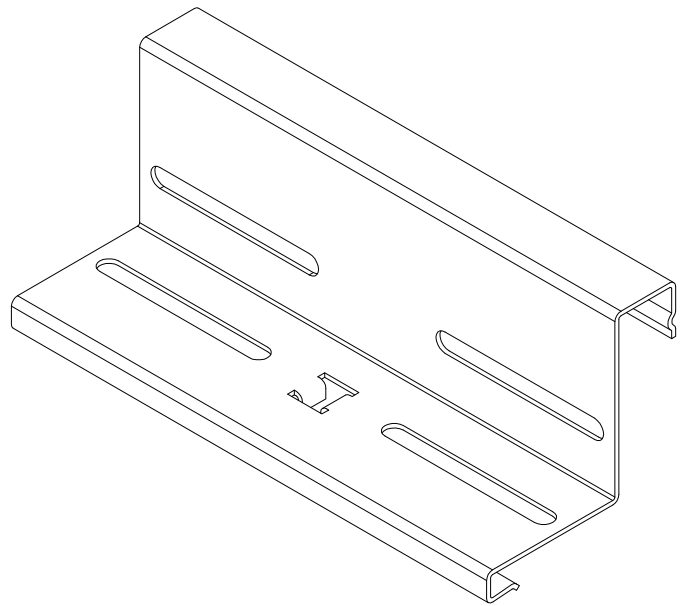
DRAWING NOT TO SCALE  
ALL DIMENSIONS ARE  
NOMINAL

PRODUCT PROTECTED BY  
ONE OR MORE US PATENTS  
LEGAL NOTICE

EB-A01

SHEET

| PART # TABLE |                               |
|--------------|-------------------------------|
| P/N          | DESCRIPTION                   |
| 00802JB      | E-BOSS J-BOX MOUNTING BRACKET |



1411 BROADWAY BLVD. NE  
ALBUQUERQUE, NM 87102 USA  
PHONE: 505.242.6411  
WWW.UNIRAC.COM

|                |               |
|----------------|---------------|
| PRODUCT LINE:  | E-BOSS        |
| DRAWING TYPE:  | PART DRAWING  |
| DESCRIPTION:   | J-BOX BRACKET |
| REVISION DATE: | 6/24/2019     |

DRAWING NOT TO SCALE  
ALL DIMENSIONS ARE  
NOMINAL

PRODUCT PROTECTED BY  
ONE OR MORE US PATENTS  
LEGAL NOTICE

EB-P01  
SHEET