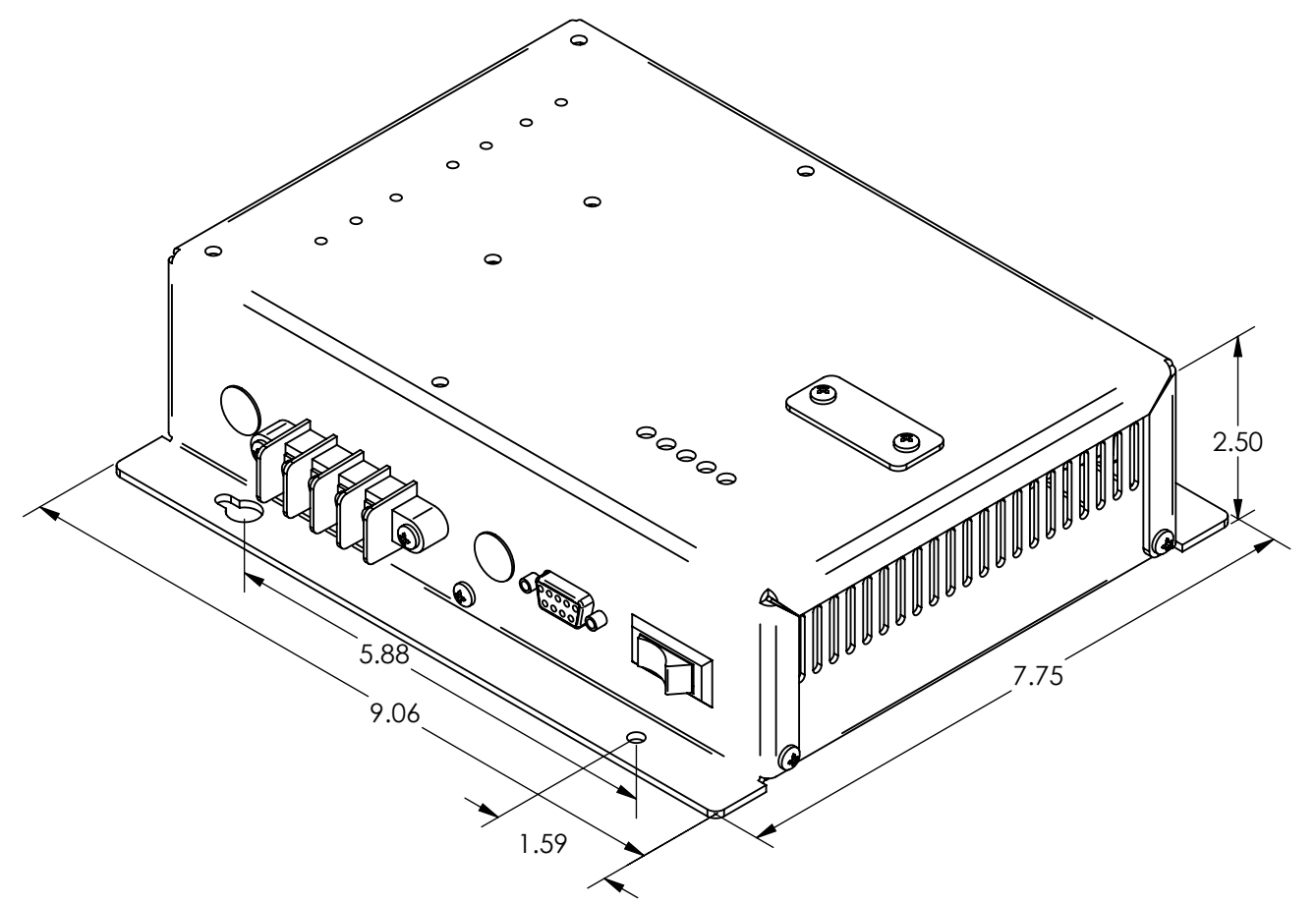
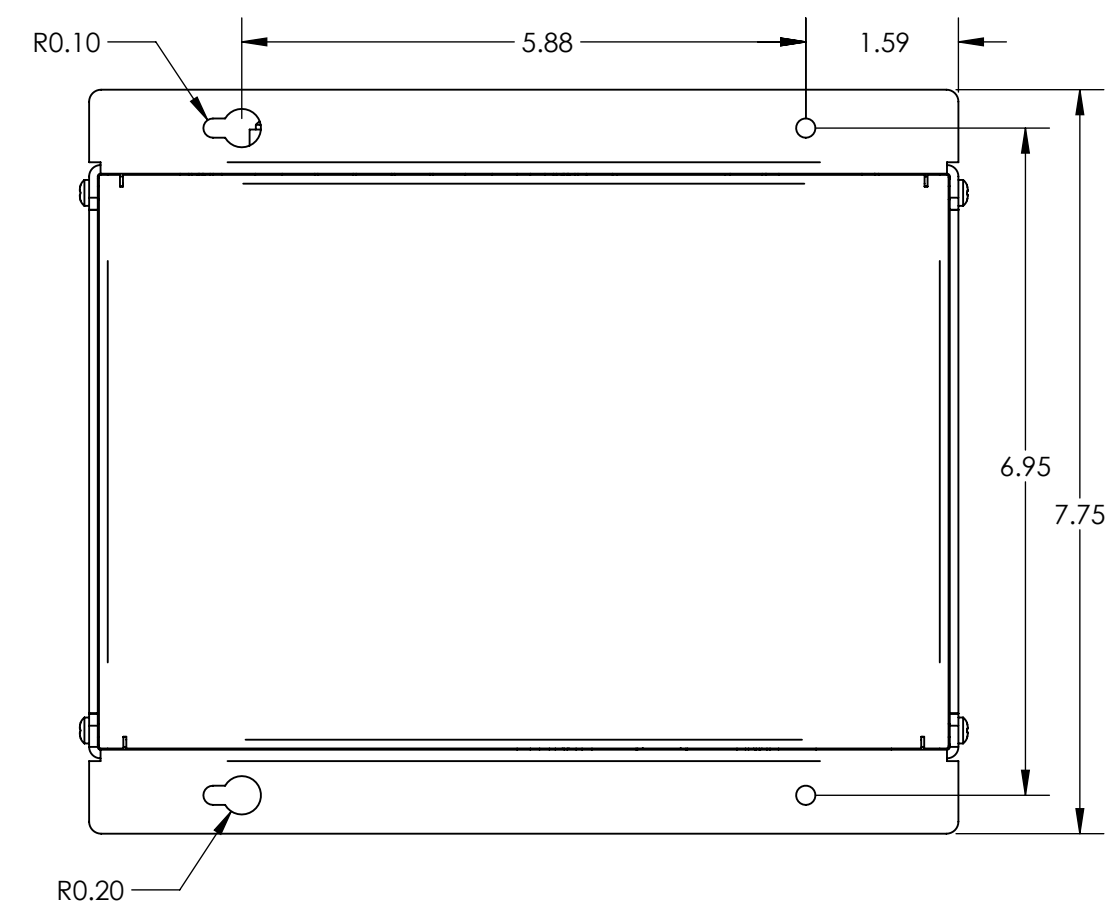
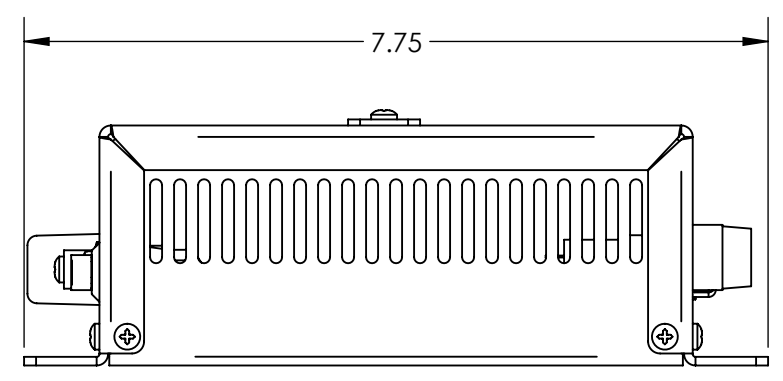
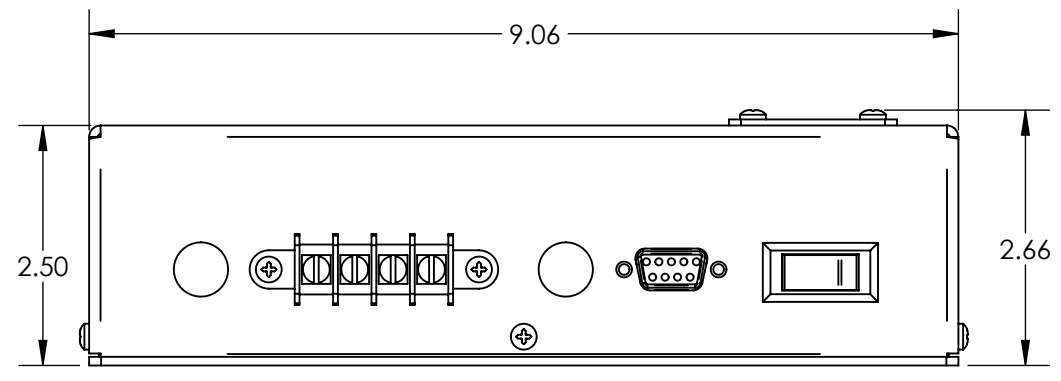

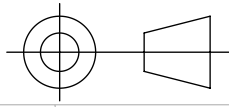


8 7 6 5 4 3 2 1



ECO	0.A	PRELIMINARY RELEASE		JAN-14-2016	PAUL RADA	
REV.		DESCRIPTION		DATE	BY	
UNLESS OTHERWISE SPECIFIED ALL DIMENSIONS ARE IN INCHES		ENG.DSGN.	NAME PAUL RADA	DATE	 ANALYTIC SYSTEMS <small>Power Conversion Solutions</small> 8128 RIVER WAY DELTA BC V4G 1K5 CANADA TEL: (604) 946-9981 FAX: (604) 946-9983 www.analyticsystems.com	
TOLERANCES: ANGULAR: ± .5° BEND ± 0.015 ONE PLACE DECIMAL ± 0.030 TWO PLACE DECIMAL ± 0.020 THREE PLACE DECIMAL ± 0.010		ENG. APPR.	E. T.			TITLE: FINAL ASSEMBLY BCD300
INTERPRET GEOMETRIC TOLERANCING PER: ASME Y14.5 - 2009		MFG APPR.				
MATERIAL		PROJECT		PRODUCT		
FINISH		THIRD ANGLE PROJECTION		SIZE	DWG. NO.	
DO NOT SCALE DRAWING				REV	1.0	
				SCALE: 1:2	CAGE CODE:	
				SHEET 1 OF 1		

PROPRIETARY AND CONFIDENTIAL
 INFORMATION CONTAINED IN THIS
 DRAWING IS SOLE PROPERTY OF
 ANALYTIC SYSTEMS WARE LTD.
 REPRODUCTION IN PART OR WHOLE
 WITHOUT WRITTEN PERMISSION OF
 ANALYTIC SYSTEMS IS PROHIBITED.

8 7 6 5 4 3 2 1