

Two or three stage charging profiles

One or two bank charging
(three bank optional)

Adjustable float voltage



Temperature compensation

Manual equalization mode

Low EMI

BCA150 AC SOURCE BATTERY CHARGER

The BCA150 provides up to 150 watts of precision charging power to up to two battery banks at 12 or 24 volts DC. This unit features universal input voltage, accepting any conventional source of AC power from 85 to 265 volts AC at 50 or 60Hz. Power factor correction technology ensures the most efficient use of this power.

The unit can be easily configured for charging standard or deep cycle lead-acid, VRLA, or Gel cell type batteries through use of the output voltage adjust (Over a range of the standard output voltage $\pm 1.0V$). User-selectable two-stage or three-stage charging profiles and temperature compensation allow optimum charging of all battery types.

Additionally, user-initiated cell equalization and low ripple charging profiles protect and maintain expensive battery systems greatly increase their lifetime usage.

Extra input and output filtering reduce EMI to extremely low levels to prevent interference with sensitive communications equipment. Reliability features include an input fuse, thermal shutdown, current limiting, reverse battery hookup protection, and output short circuit shutdown with automatic recovery.

3 YEAR WARRANTY



Available models

Input

85 - 265V

Output

12V

24V

Applications



BCA150 | AC SOURCE BATTERY CHARGER

INPUT

Input Volts (Nominal)	85 - 265 VAC
Input Amps (Max)	3 A (Max @ 90 VAC In)
Power Factor	>0.98 at Full Load (>0.86 @ 400Hz)
Input Frequency	45 - 405 Hz
Noise on Input	<50mV

OUTPUT

Output Volts Nominal	12 VDC	24 VDC
Output Volts Actual	13.8 ± 0.6 VDC	27.6 ± 1.2 VDC
Charging Amps (Max)	12 A	6A
Output Adjustment	± 10%	
Output Fuse	ATL-15	ATL-8
Battery Banks	1 or 2	
Regulation (Line & Load)	< +/- 0.5%	
Duty Cycle	Continuous: 100% for 24 hours per day	
Efficiency	> 90% @ Maximum Output	
Stages	2	

MECHANICAL

Dimensions	8.0 in (20.3 cm) Long x 8.8 (22.4 cm) Wide x 2.2 in (5.6 cm) High
Clearance	1.0 in / 2.5 cm all around
Weight	3.6 lb / 1.6 kg
Material and Finish	Marine Grade Black Anodized Aluminum with 18-8 Stainless Fasteners
Mounting	Wall Mount (With Drip Shield)
Connections	AC Input - IEC Inlet 26.4mm Tab Flange Mount DC Output - Phoenix VDFK 4 Connector (Black and Red)

ENVIRONMENTAL AND SAFETY

Operating Temperature Range	-25°C to +40°C @ maximum output. Derate Linearly 2.5% per °C from 40°C (Optional -40°C wide temperature range available)
Humidity	0 - 95% Relative Humidity (non-condensing) with standard conformal coating
Audible Noise	NONE 0db @ 3ft (34.5 db with fan operating)
Emissions	Meets FCC Part 14, Class B
Typical Service Life	> 10 years (87,600 hrs)
Isolation	Input-Case, Input-Output, Output-Case: 1500 VDC
Warranty	Three Years Parts and Labor
Safety	Built to meet CSA C22.2 No.107.1 and UL 458

OPTIONS

GMDSS - Digital Volt/Amp Meter & Remote control kit.

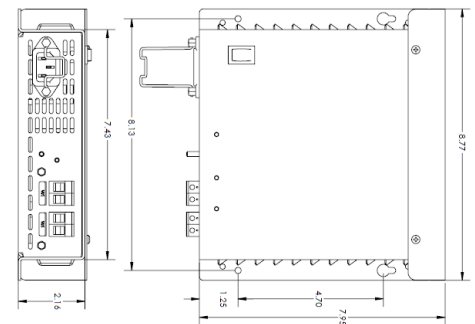
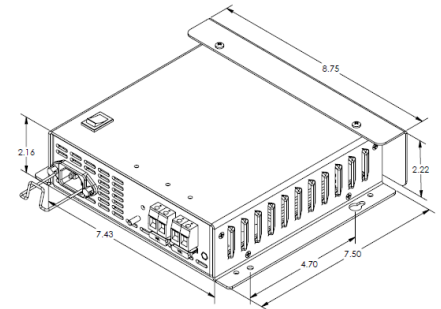
Safety Special Inspection (CSA/UL)

Integrated Digital Volt/Ammeter

Heavy duty ruggedization with wide temperature range

Custom input/output available

DIMENSIONS



ANALYTIC SYSTEMS
Power Conversion Solutions



AnalyticSystems.com



sales@analyticsystems.com



604.946.9981 800.668.3884



8128 River Way
Delta BC V4G 1K5